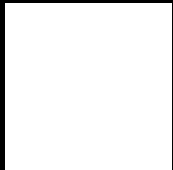




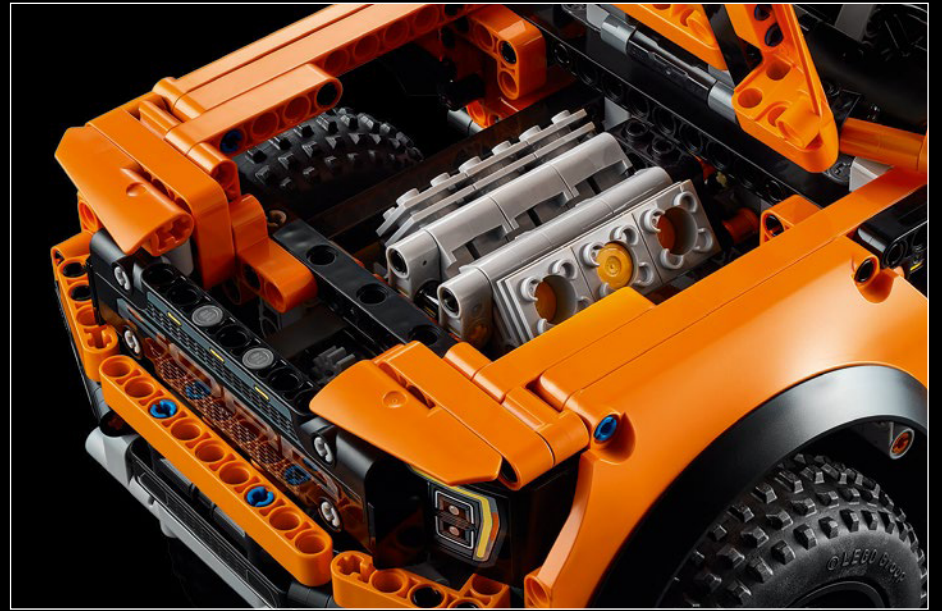
Booklet available in English on  
Heft in deutscher Sprache erhältlich auf  
Livret disponible en français sur  
Libretto disponibile in Italiano su  
Folleto disponible en español en  
如需中文版手册，请访问













# A WORKHORSE ON WHEELS

It's difficult to imagine any other type of vehicle that symbolises America more than the pickup truck. Born over a century ago, the original rugged American pickup has been transformed through constant innovation into a state-of-the-art, modern luxury hauler.



## MODEL TT



If the Model T put America on wheels, the Model TT put it to work. With its 0.9-tonne (one US ton) payload and plentiful third-party pickup-bed configurations, this versatile workhorse became a regular sight on US roads.

## F-SERIES



The first-generation F-series marked Ford's new expanded truck strategy that offered a range of pickups in different sizes and with various hauling capabilities.

1917

1935

1948

1961

## FORD MODEL 50 PICKUP



Powered by the legendary Ford flathead V-8 engine, more than four million of these sturdy pickups were produced between 1935 and 1941.

## FOURTH GENERATION



With the slogan "Drives like a car, works like a truck", this was the first pickup to also be targeted at non-commercial truck users.



## SIXTH GENERATION



Continuing to make comfort a priority, this latest F-150 introduced a much-improved heating and air-conditioning system. To increase safety, the fuel tank was also moved out of the cab.

## TENTH GENERATION



Focusing on personal use, the F-150 was given a dramatic re-design, including a new V6 engine and four full-size doors. Modern lines and new technology earned the F-150 an increase in sales and a Truck of the Year award.

**1973**

**1987**

**1997**

**2009**

## EIGHTH GENERATION



This generation went through many revised body panels and redesigns interior. Most importantly, this generation saw the introduction of electronic fuel injection engines making the F-150 more powerful and efficient.

## TWELFTH GENERATION



With 50.8 cm (20 in.) chrome wheels, leather upholstery and heated and ventilated seats, this generation of the F-150 offered a new level of luxury for customers.





## THE 3<sup>RD</sup> GENERATION FORD F-150 RAPTOR

It's been a long journey from the first Model TT to the latest 2021 incarnation of the F-150 Raptor, but the spirit remains very much the same. Created by Ford Performance, the Raptor is

a high-performance, street-legal truck and one of the most capable factory off-road vehicles. It combines the most powerful engine in the F-150 range with rugged off-road-ready suspension.



“

**QUALITY MEANS DOING IT RIGHT  
WHEN NO ONE IS LOOKING”**

Henry Ford



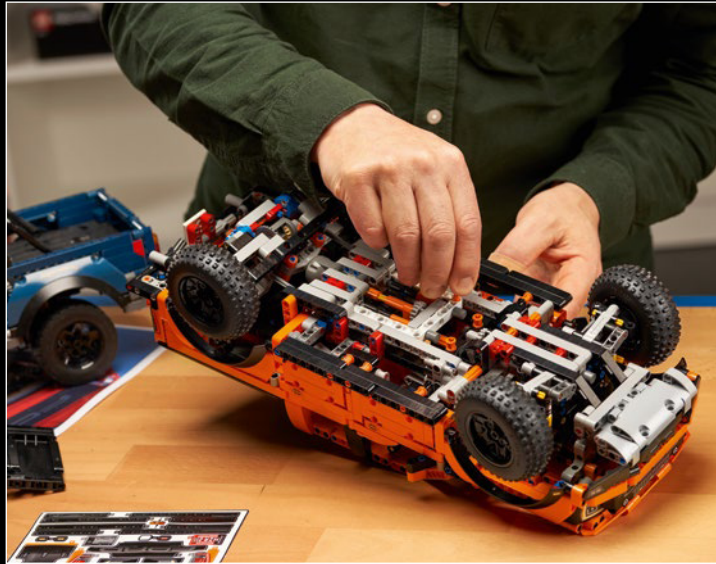


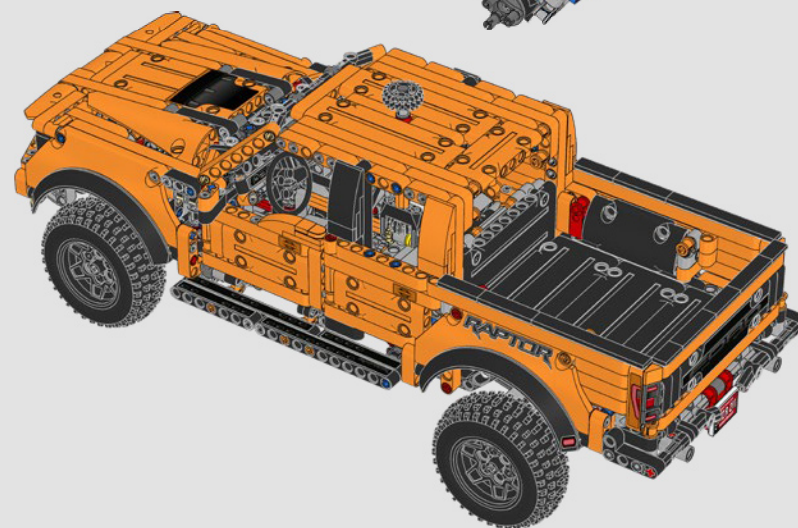
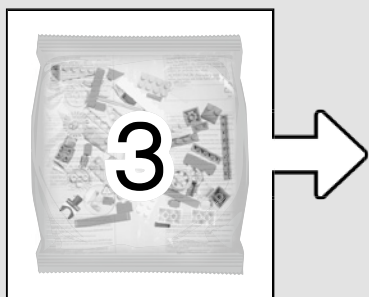
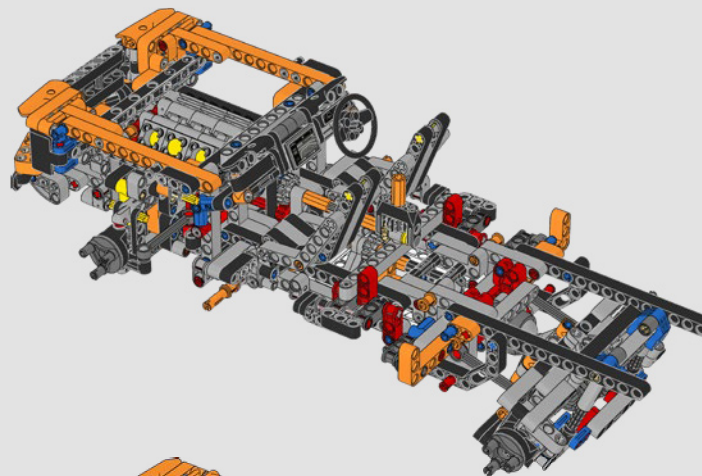
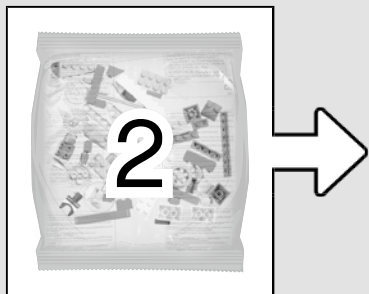
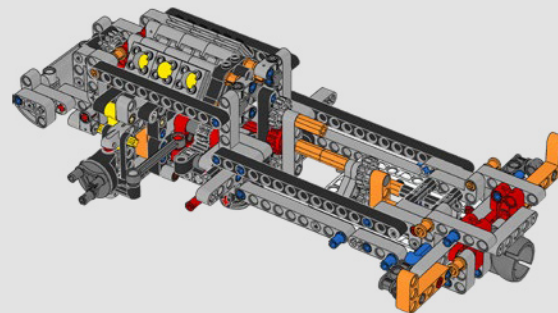




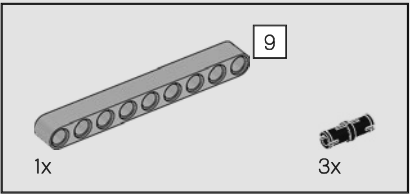
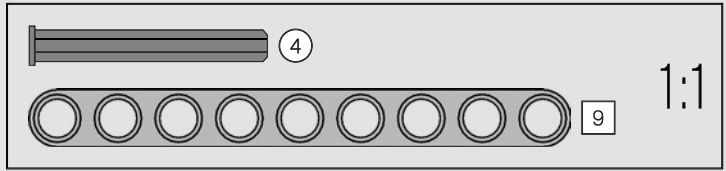
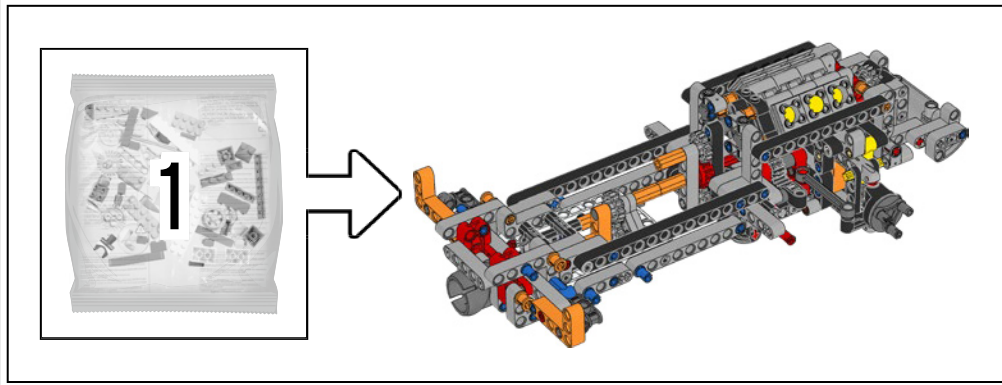
# FROM THE DESIGN TEAM

The LEGO® Technic design team worked closely with the designers and engineers at Ford to ensure the Technic version of the F-150 Raptor would be as close to the real thing as possible. The biggest challenge for the team was to create a rear-axle configuration and suspension structure that would allow the rear wheels and wheel arches to perfectly align.

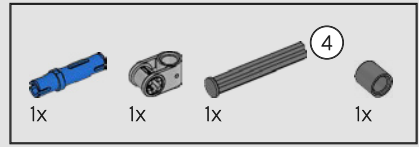
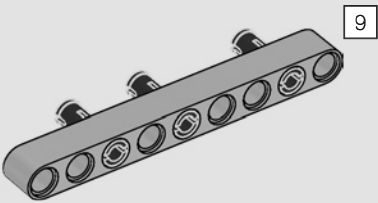




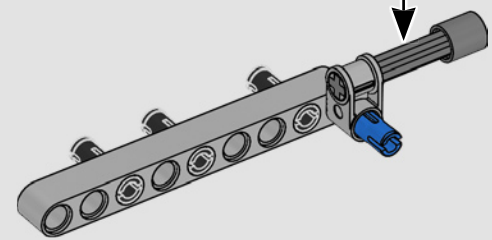
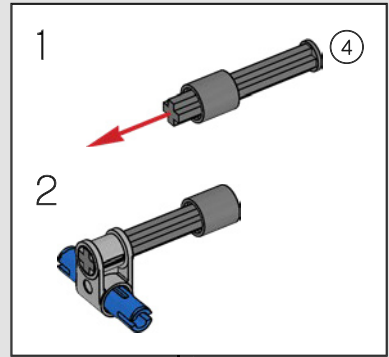


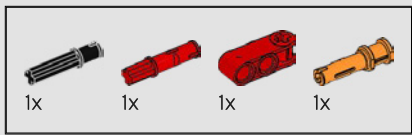


1

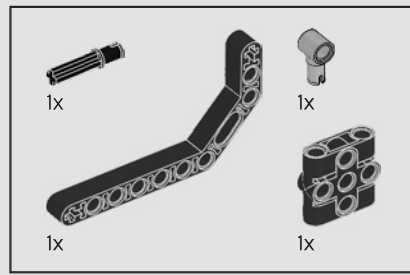
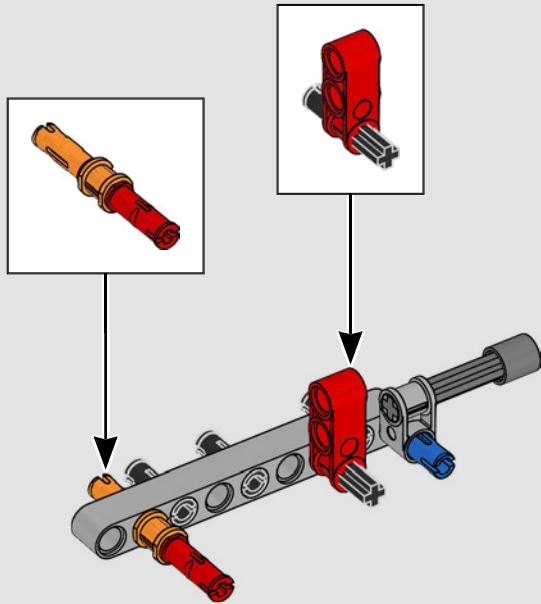


2

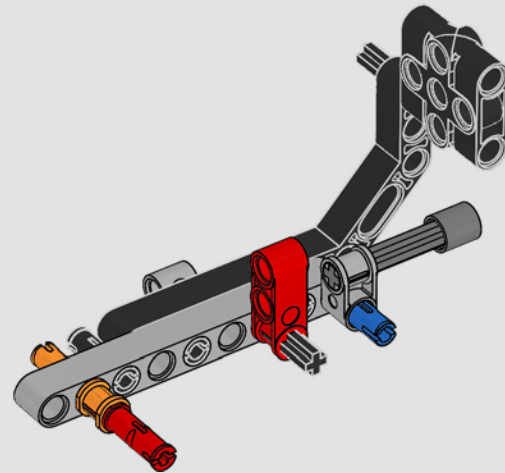
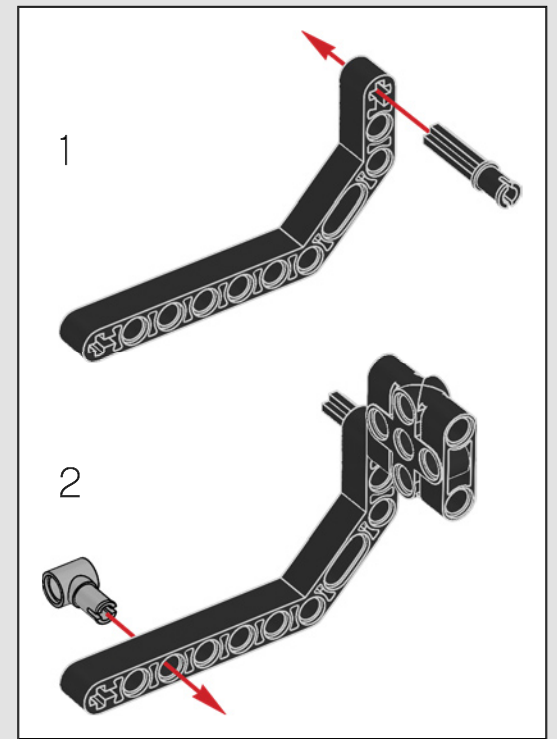




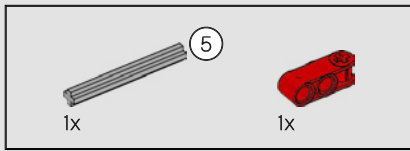
3



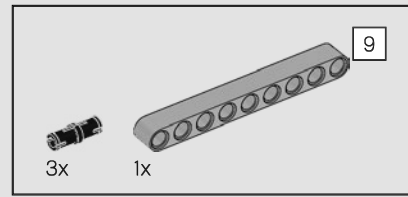
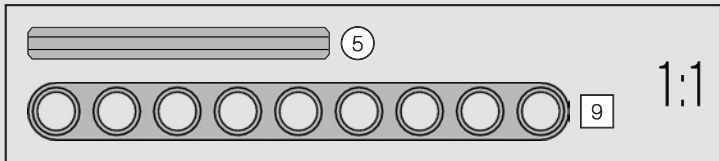
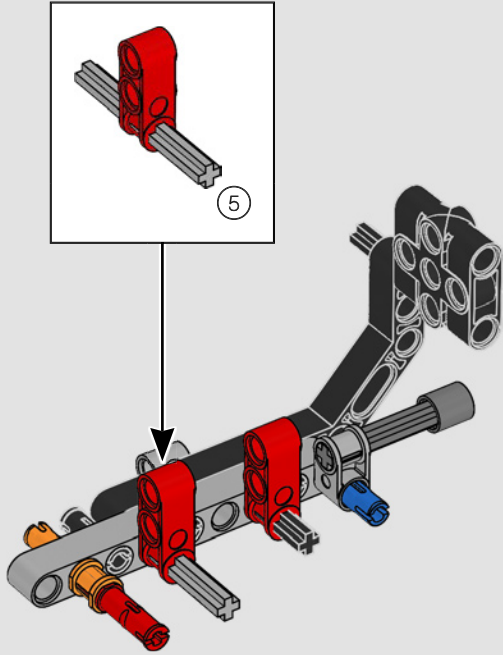
4



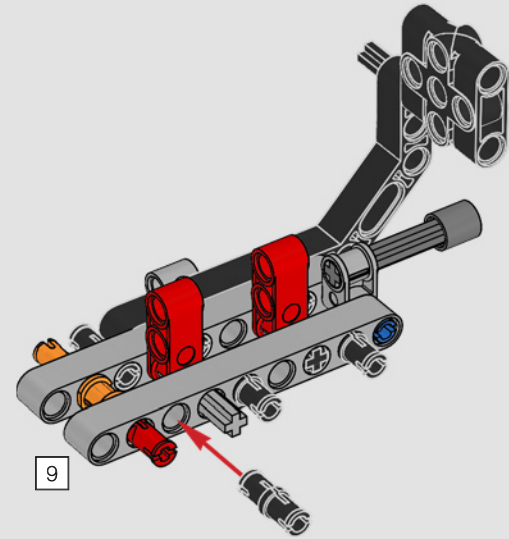


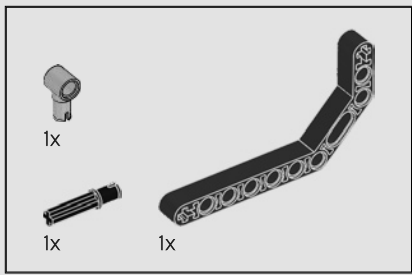


5

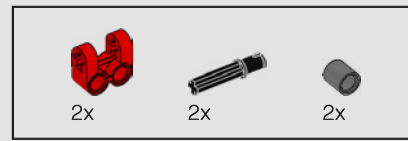
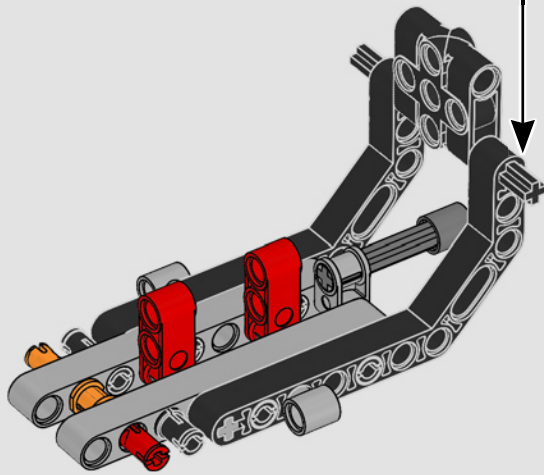
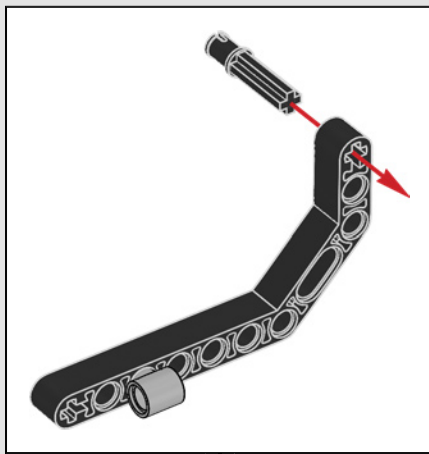


6

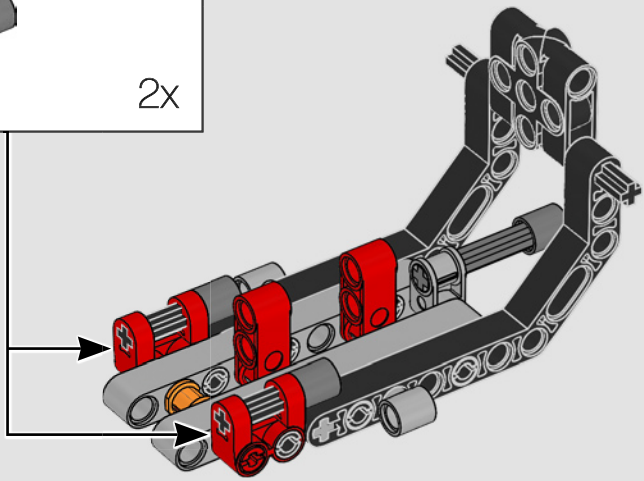
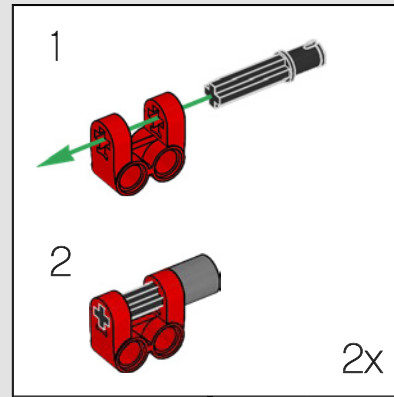




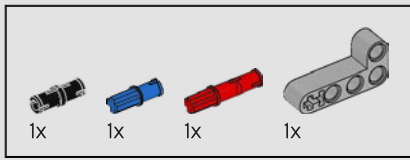
7



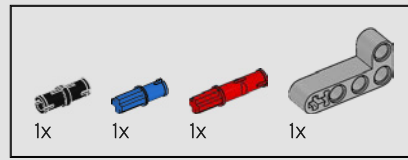
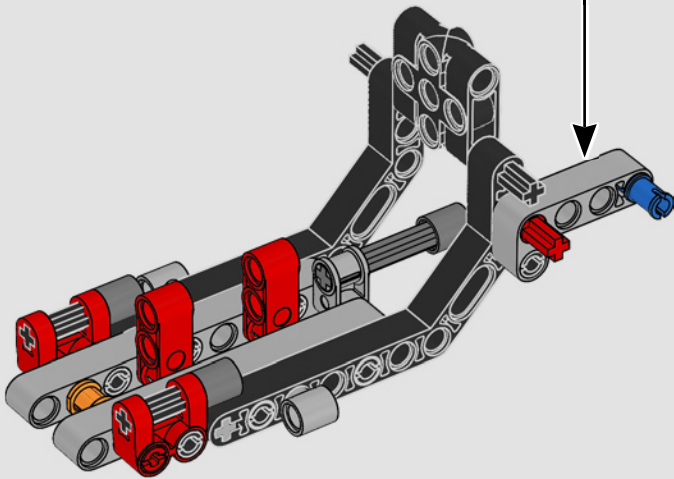
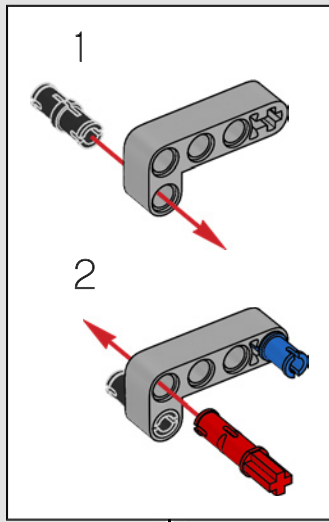
8



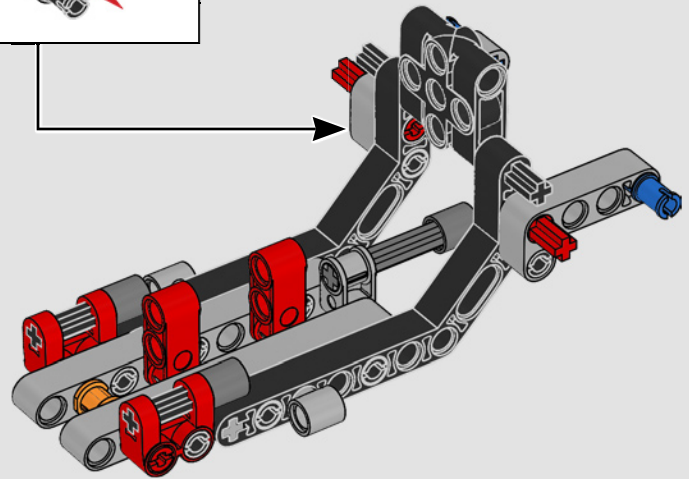
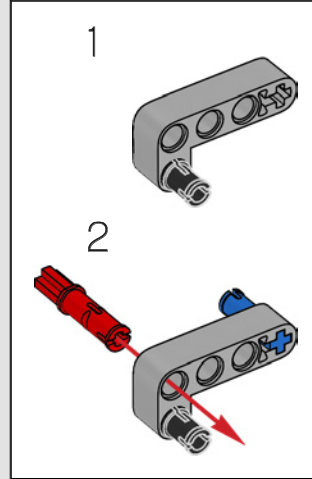




9

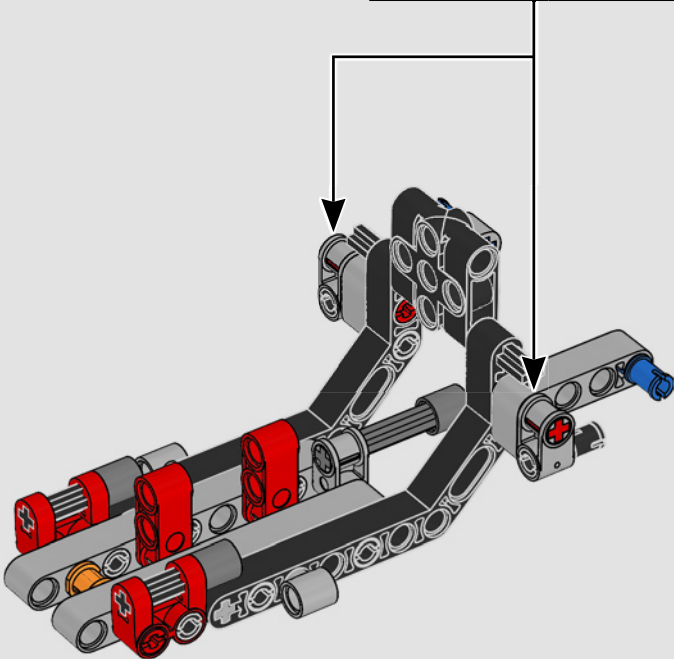
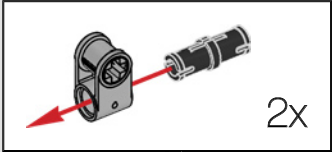


10

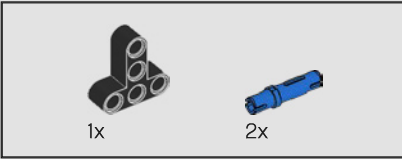
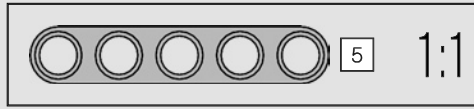
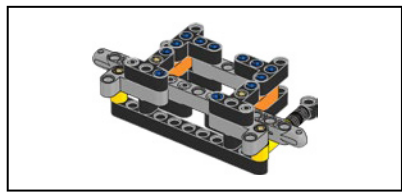




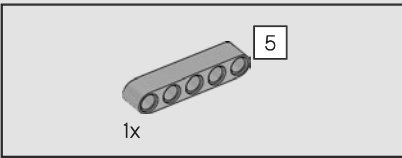
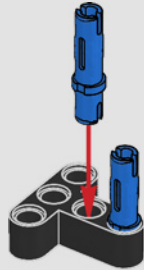
11



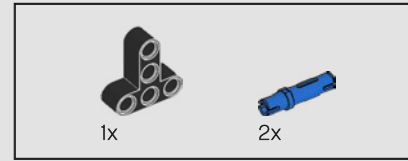
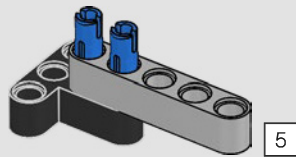




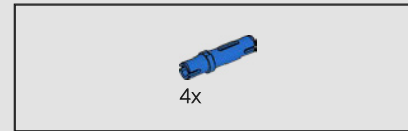
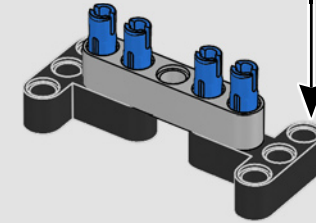
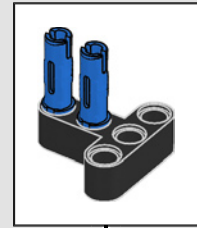
12



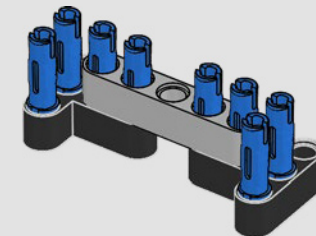
13

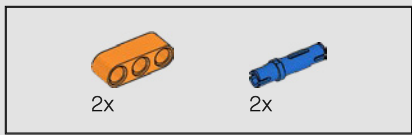


14

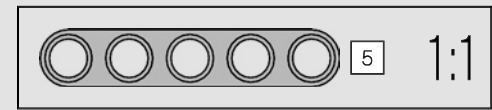
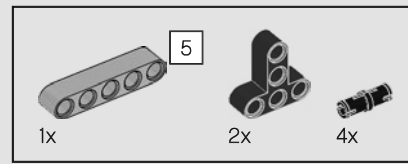
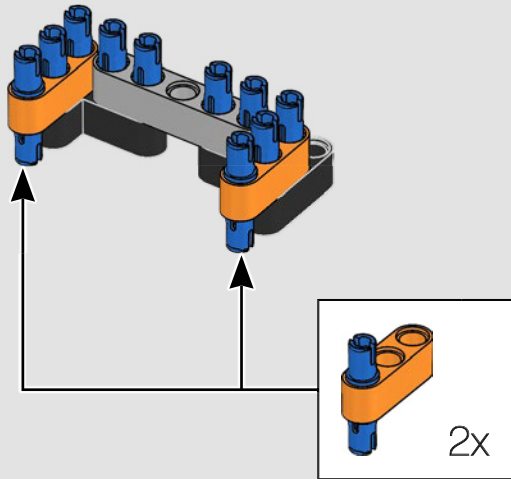


15

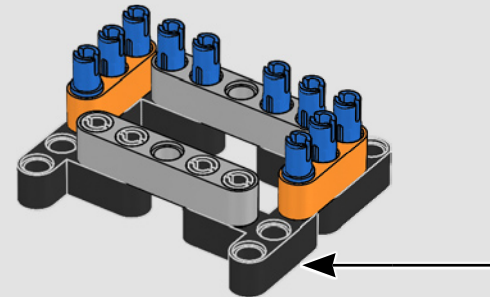
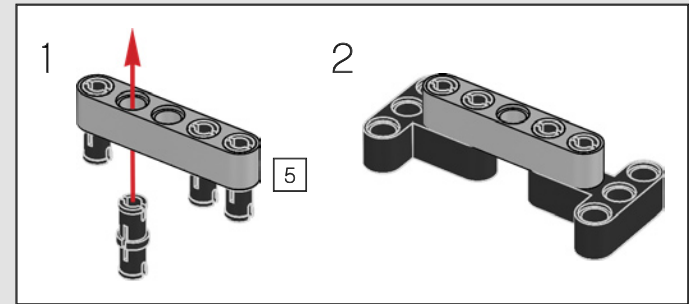




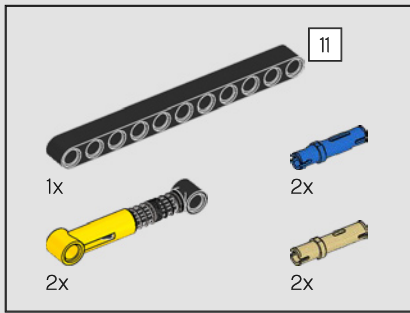
16



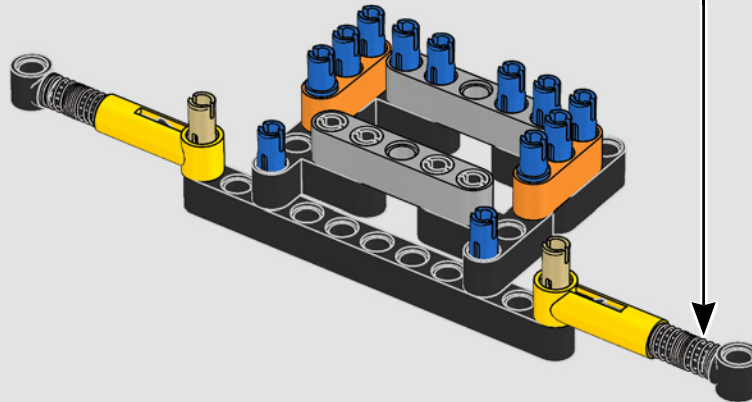
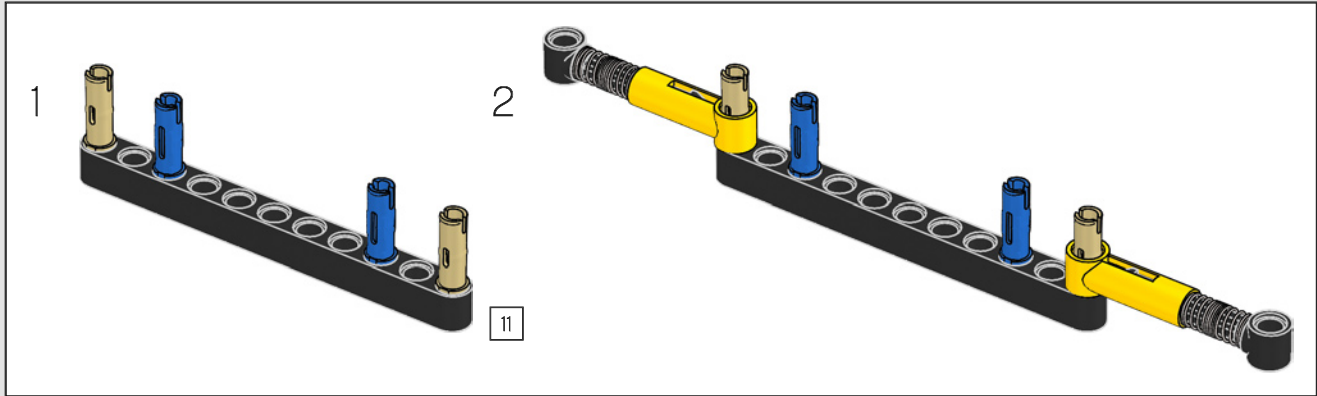
17







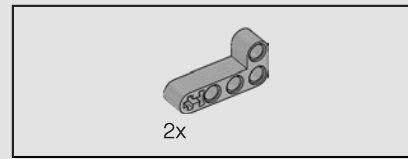
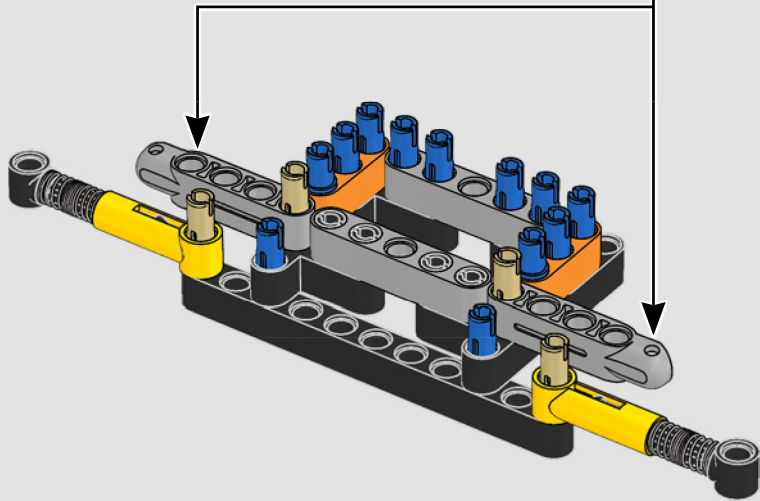
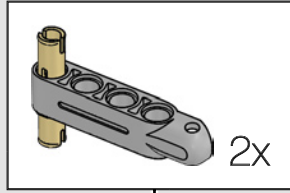
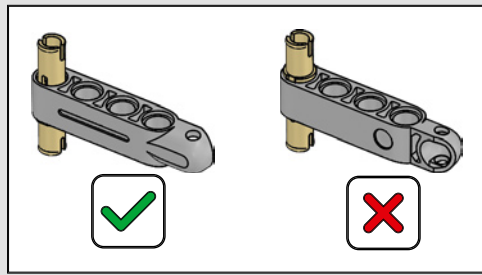
18



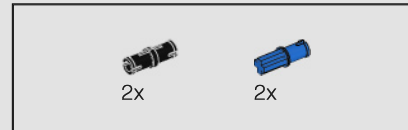
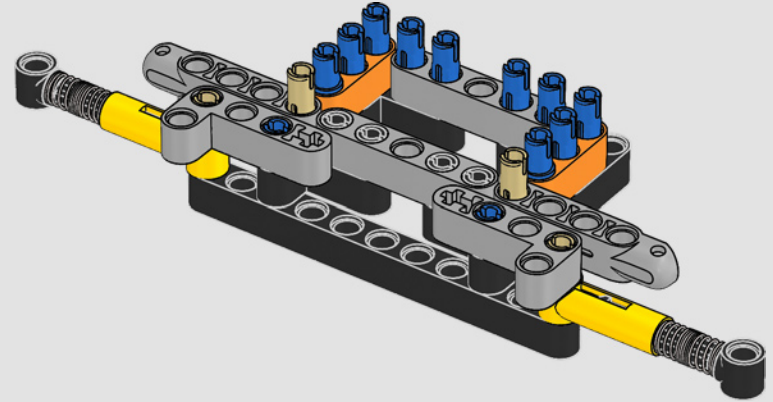
*The F-150 Raptor is outfitted with FOX™ Live Valve monotube shocks that automatically adjust to the driving terrain.*



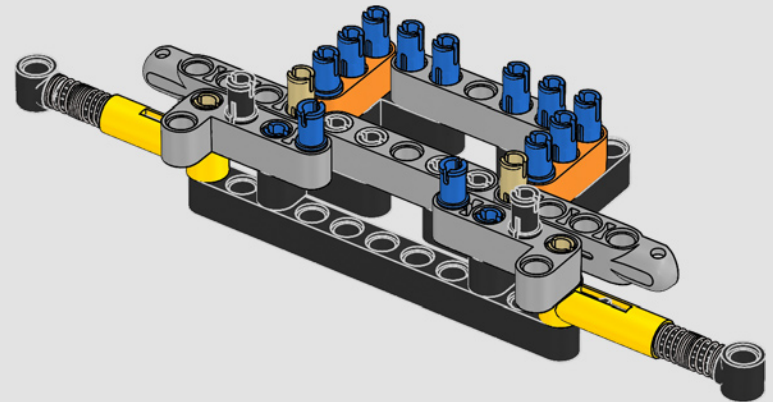
19



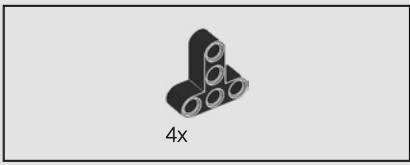
20



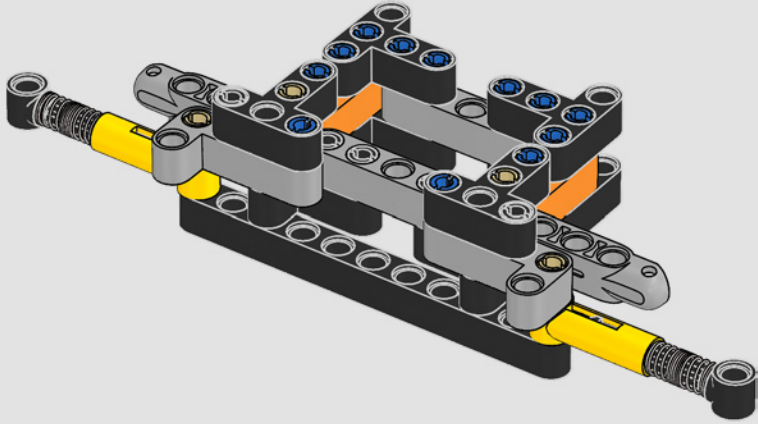
21



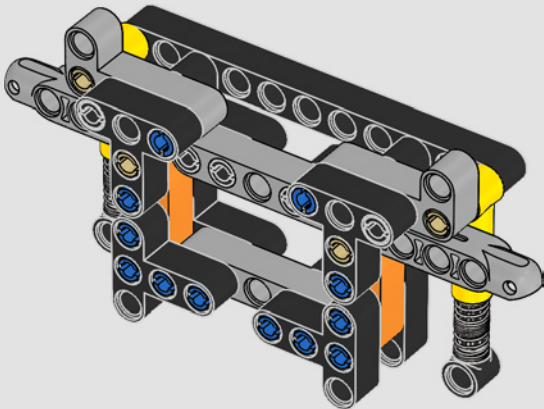




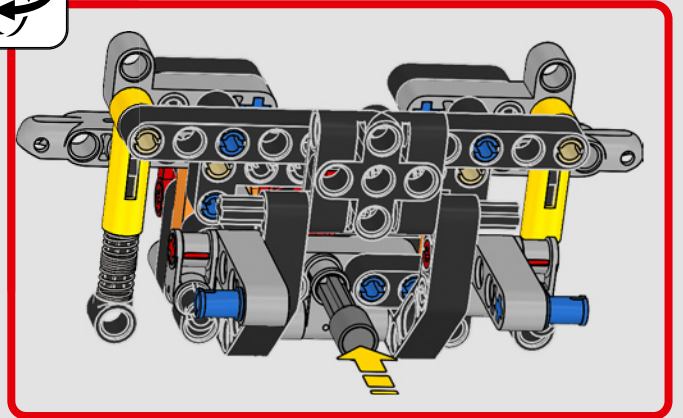
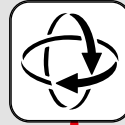
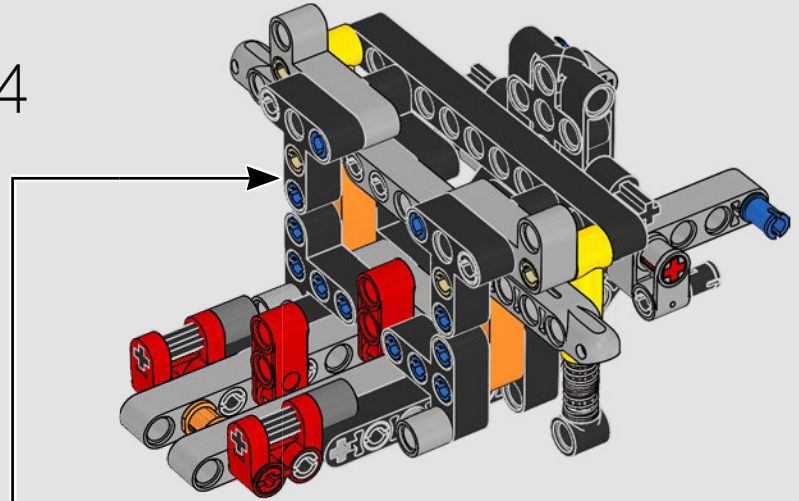
22

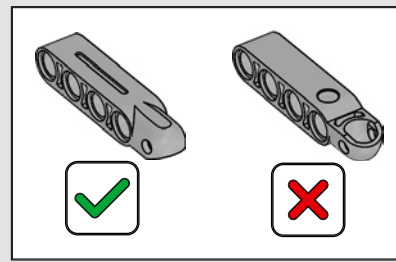
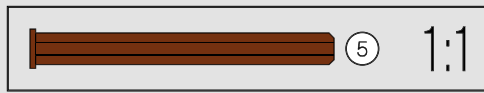
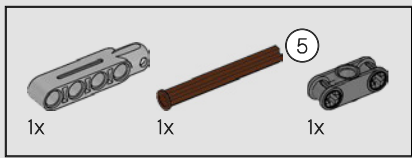


23

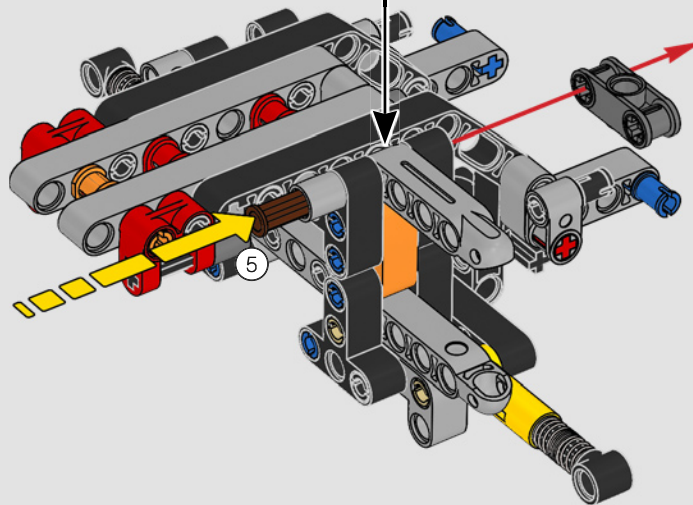
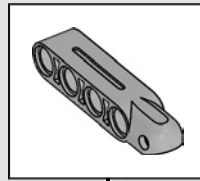


24

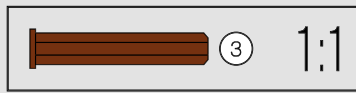
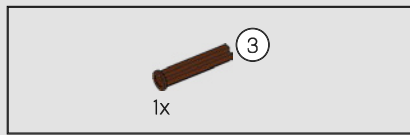




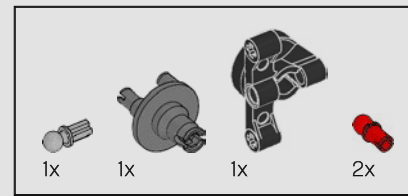
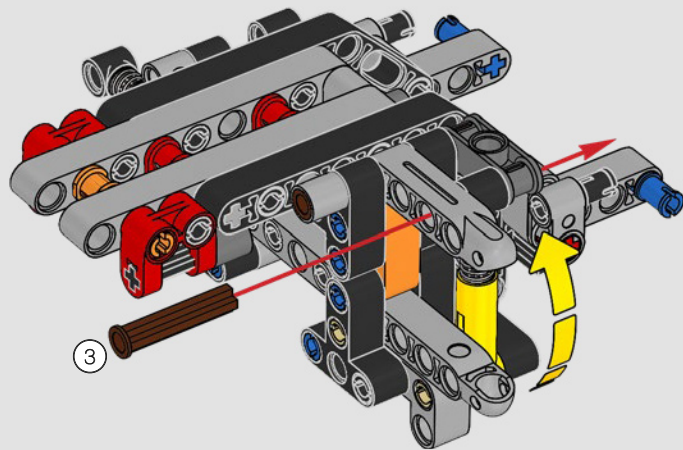
25



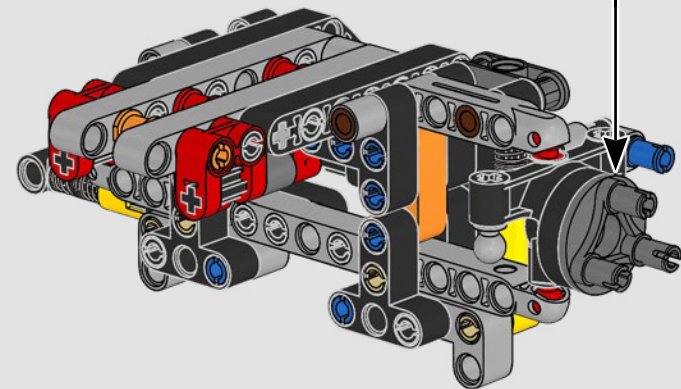
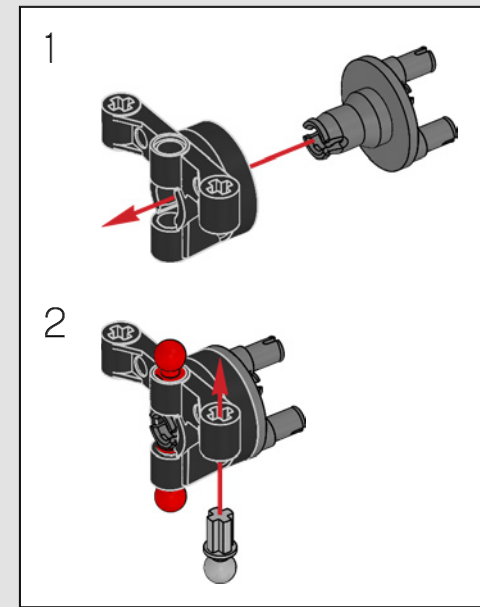


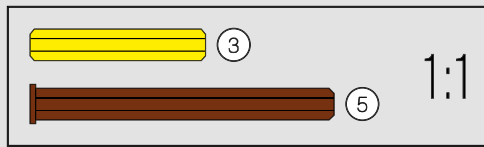
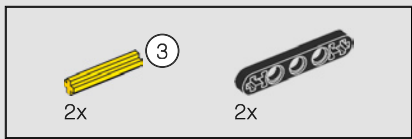


26

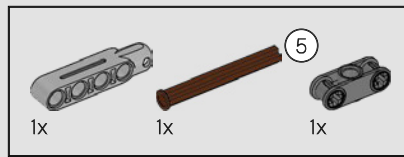
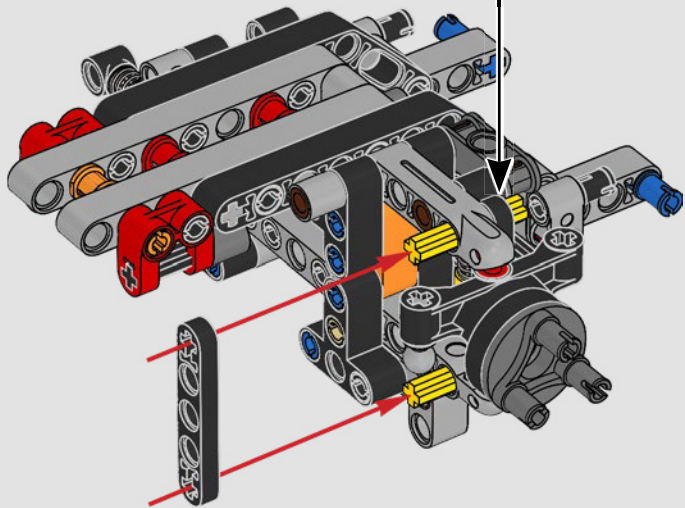
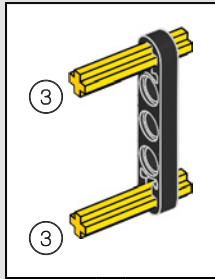


27

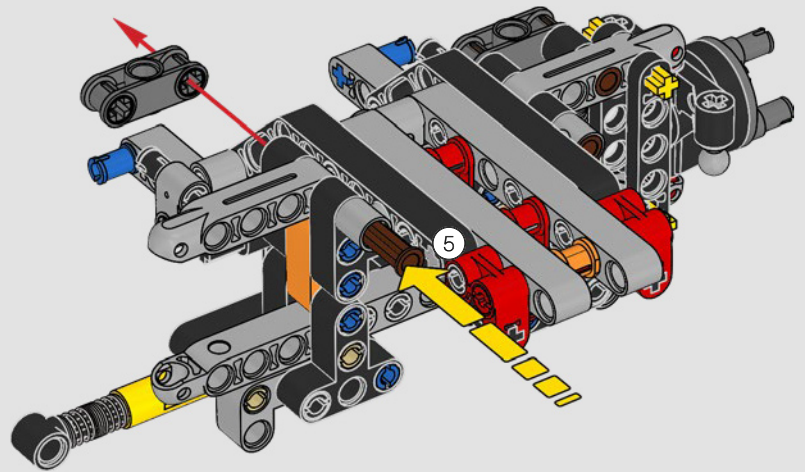
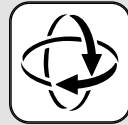




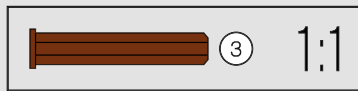
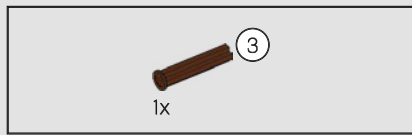
28



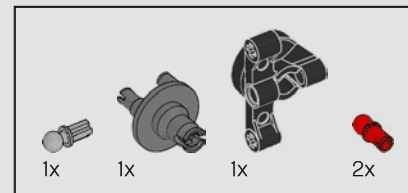
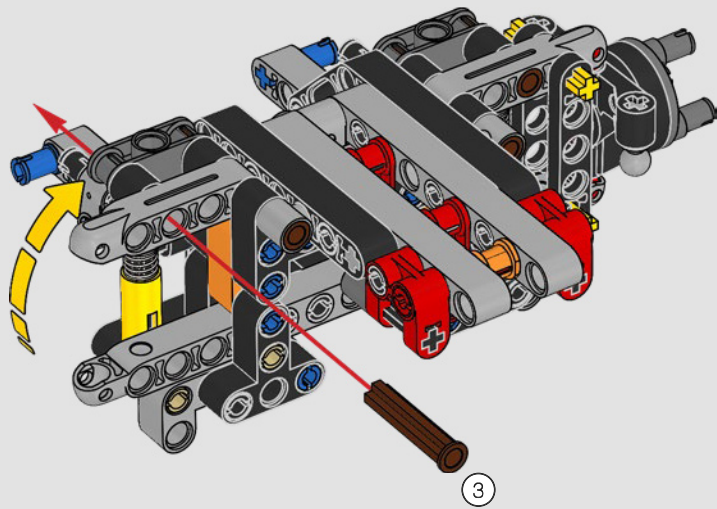
29



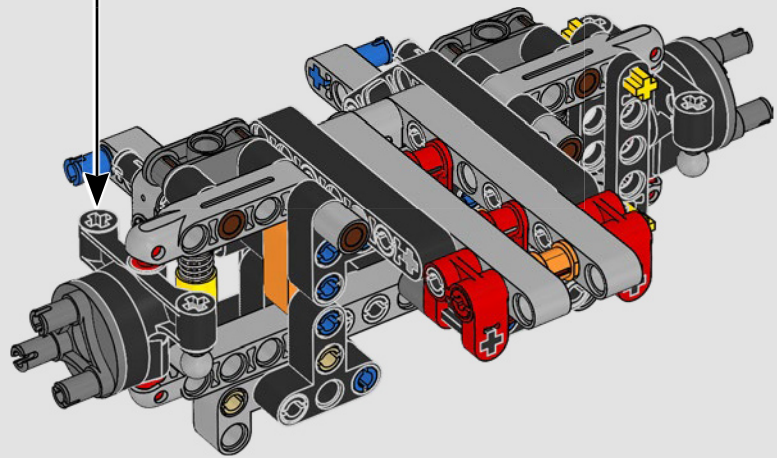
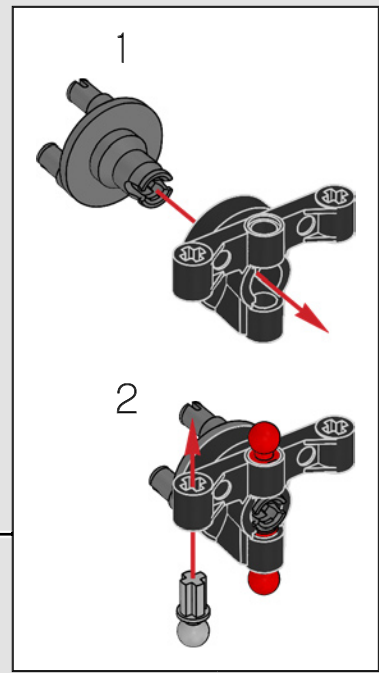


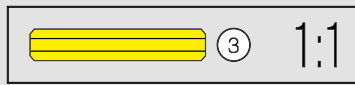
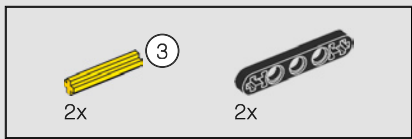


30

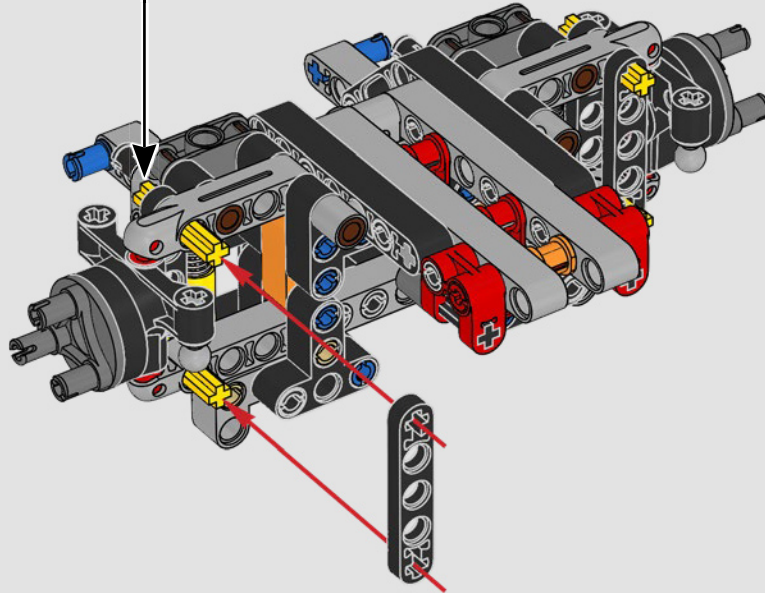
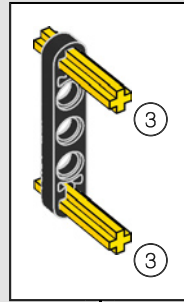


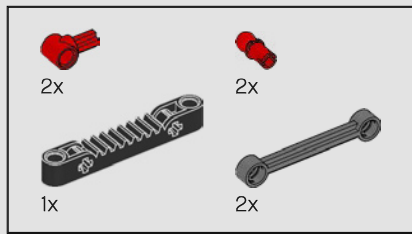
31



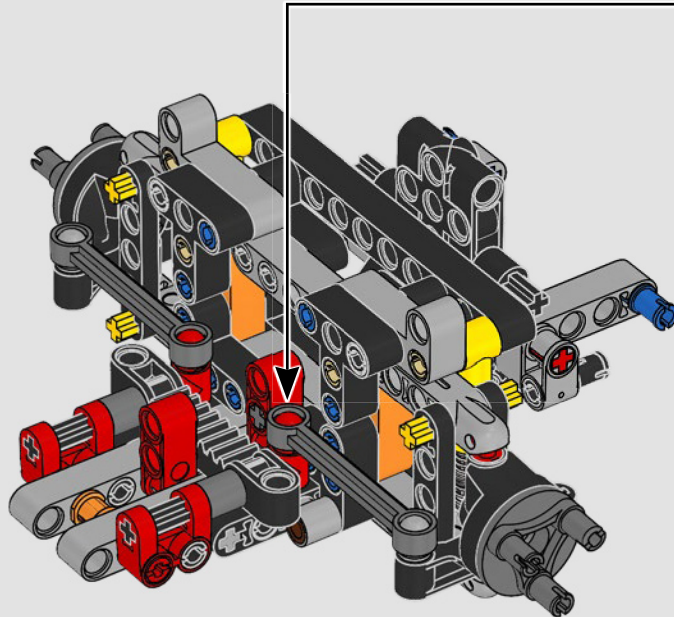
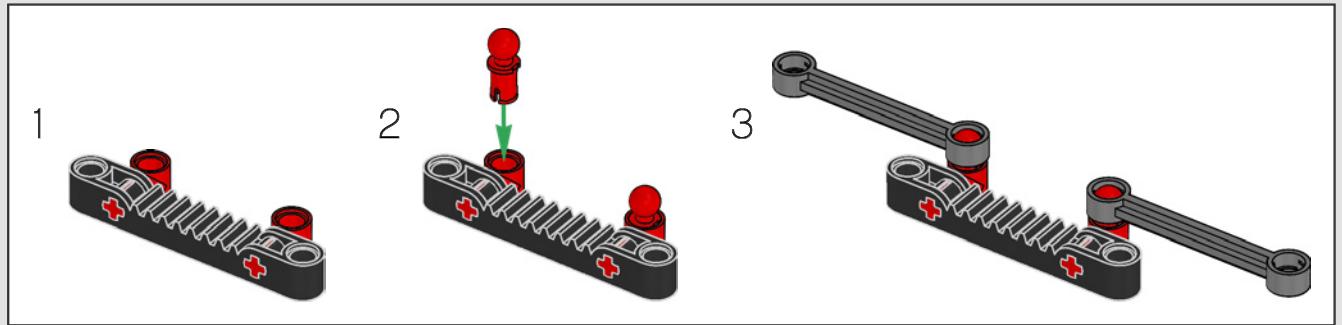


32

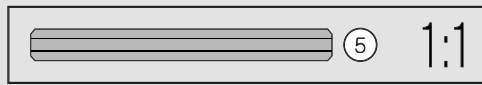
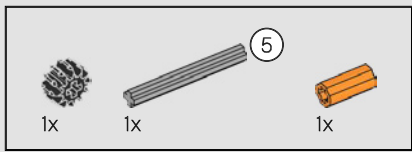




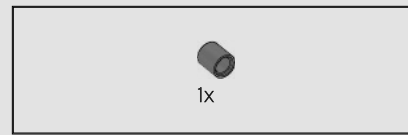
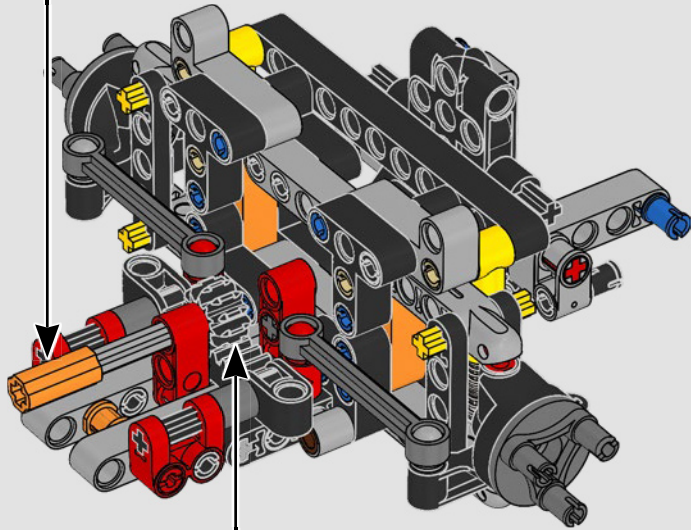
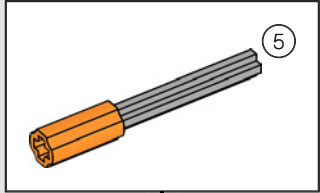
33



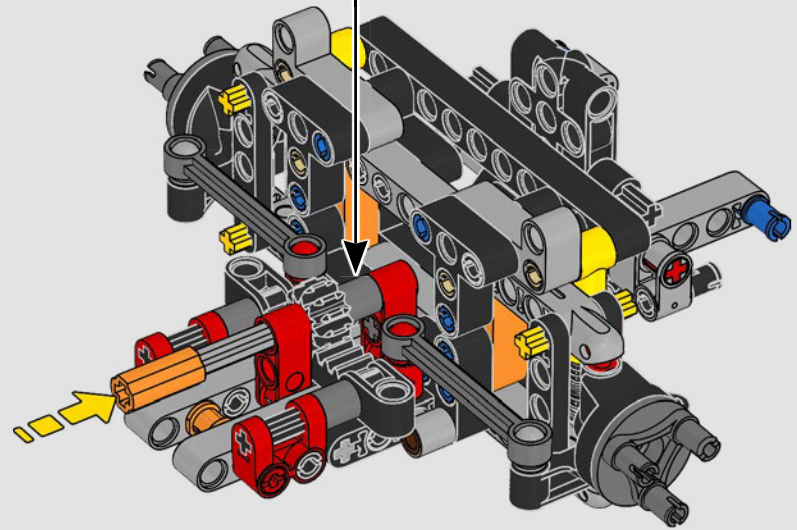


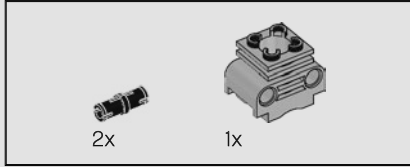
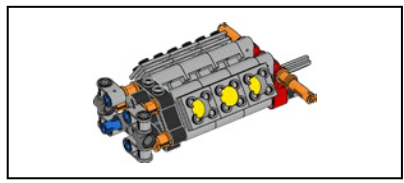


34

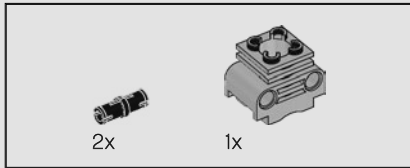
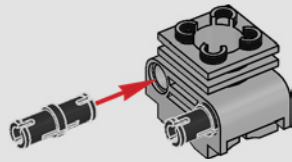


35

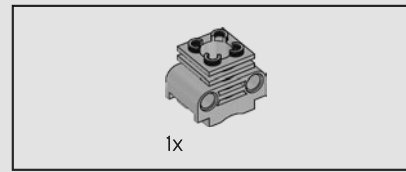
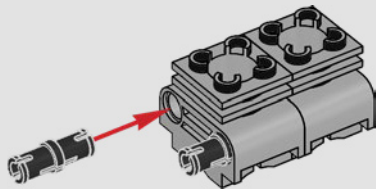




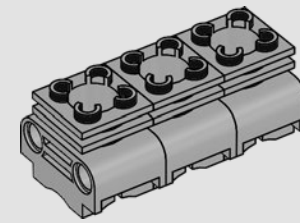
36

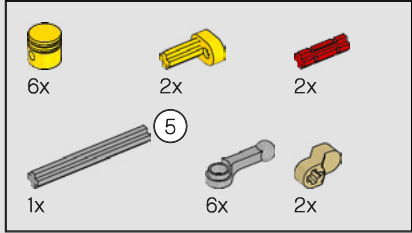
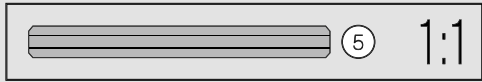
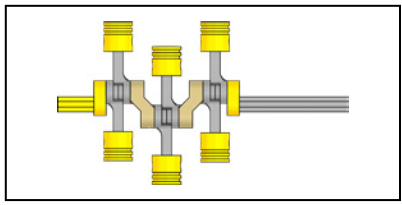


37



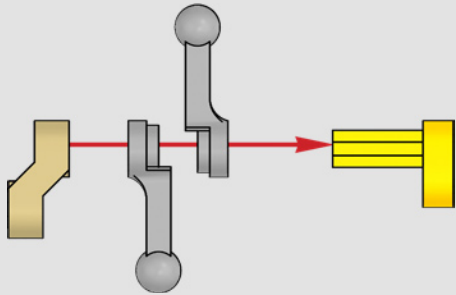
38



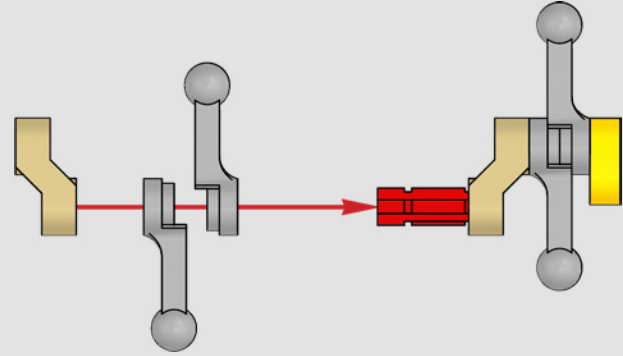


39

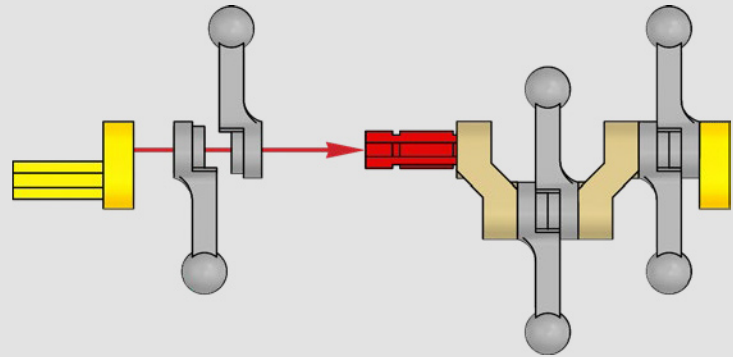
1



2

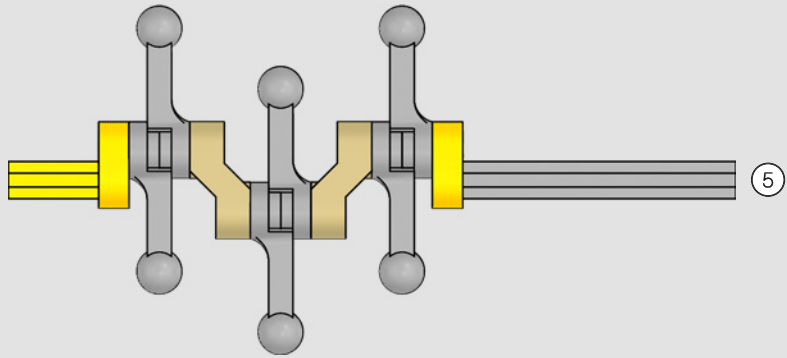


3

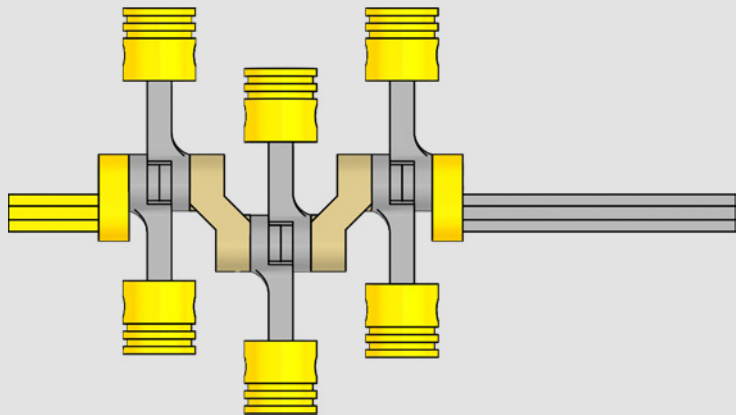




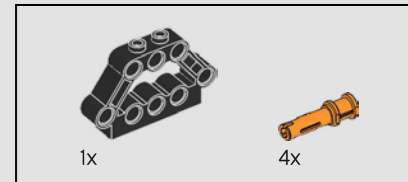
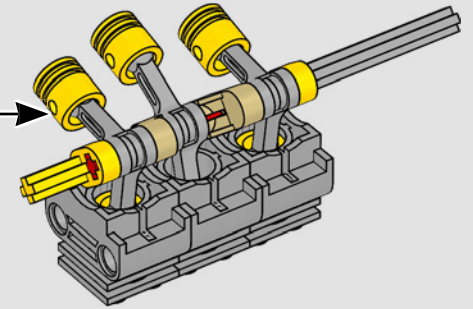
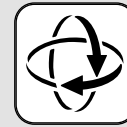
4



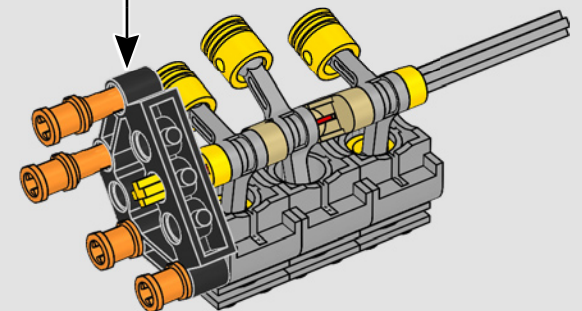
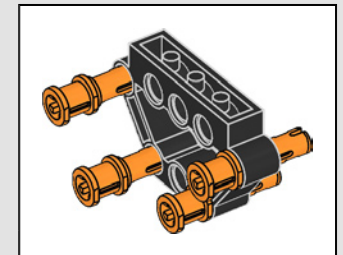
5

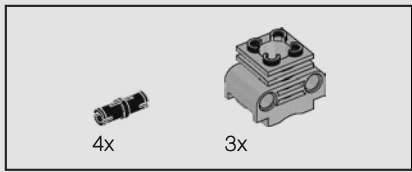


1:1

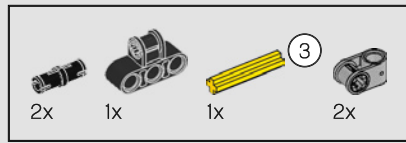
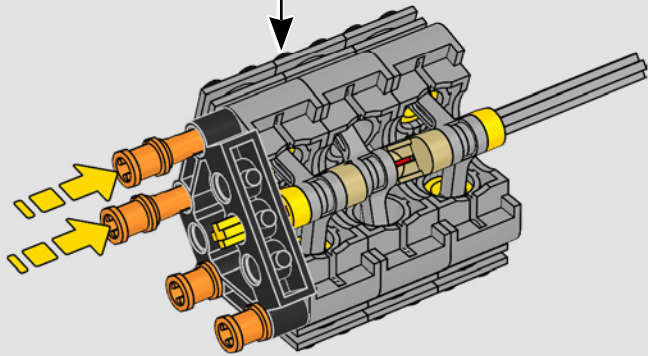
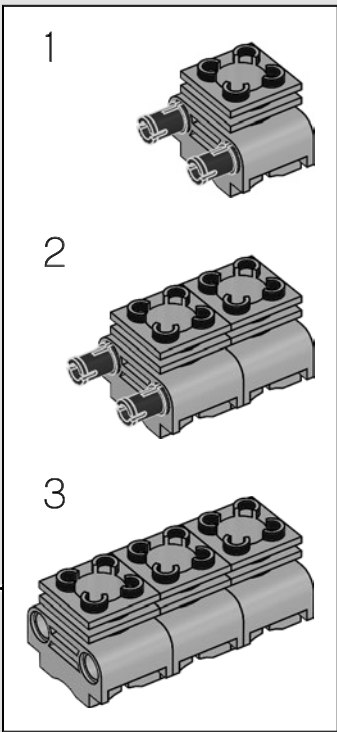


40

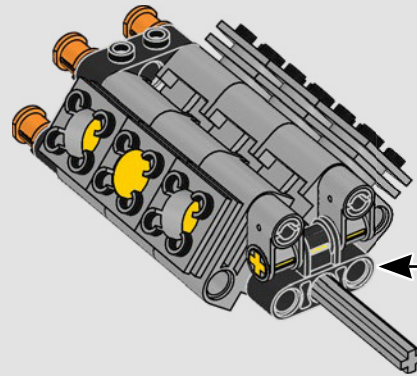
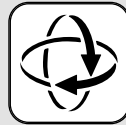
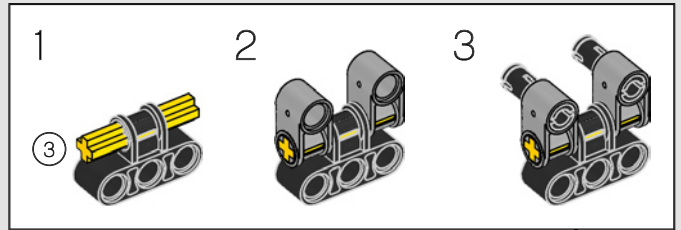
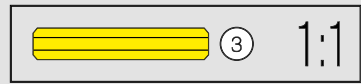


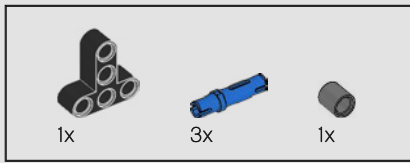


41

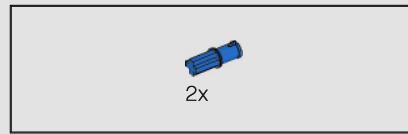
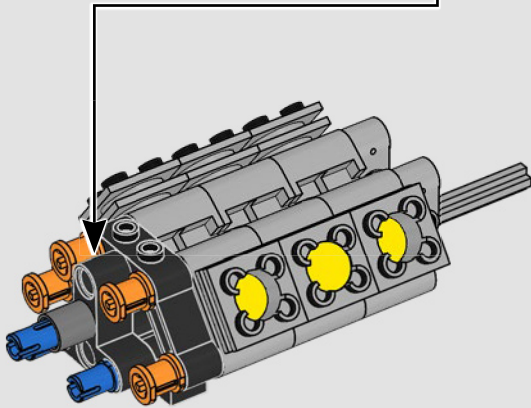
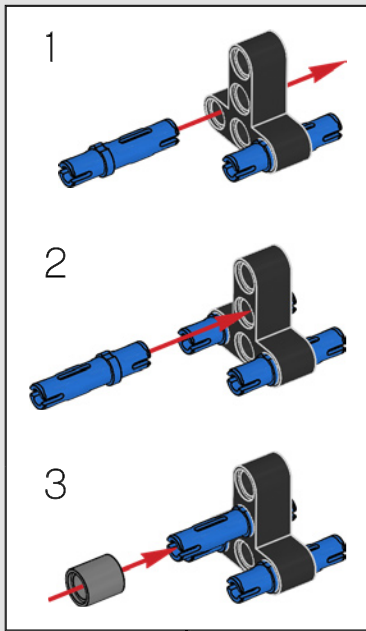


42

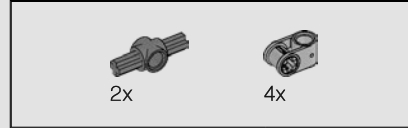
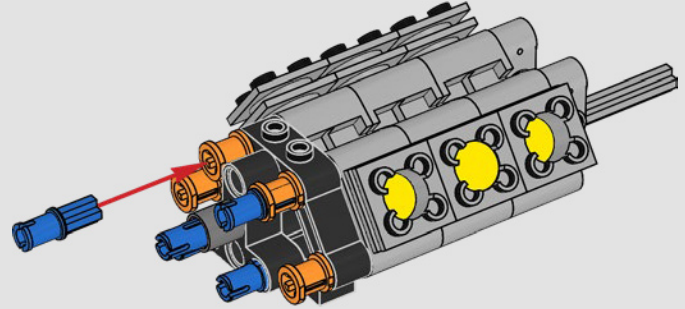




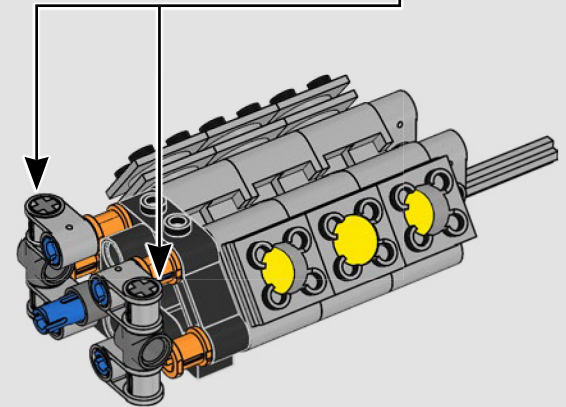
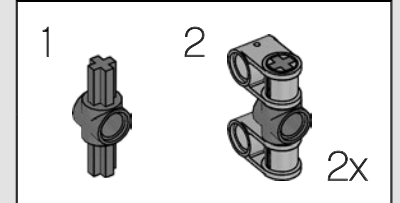
43



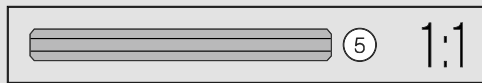
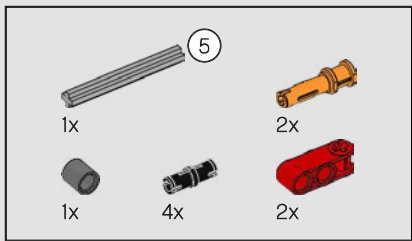
44



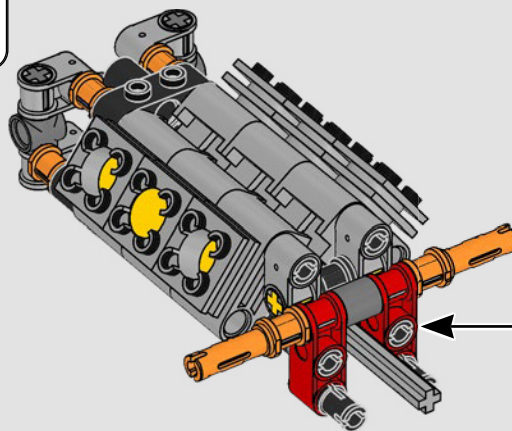
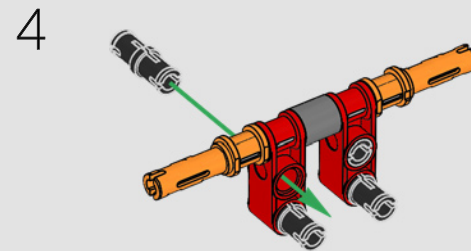
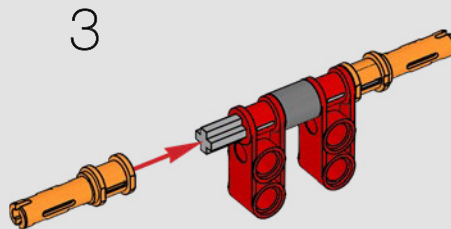
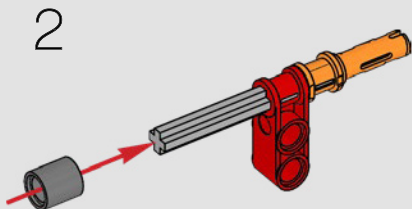
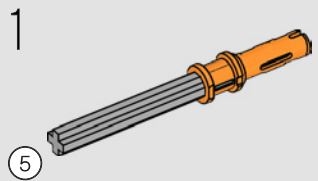
45



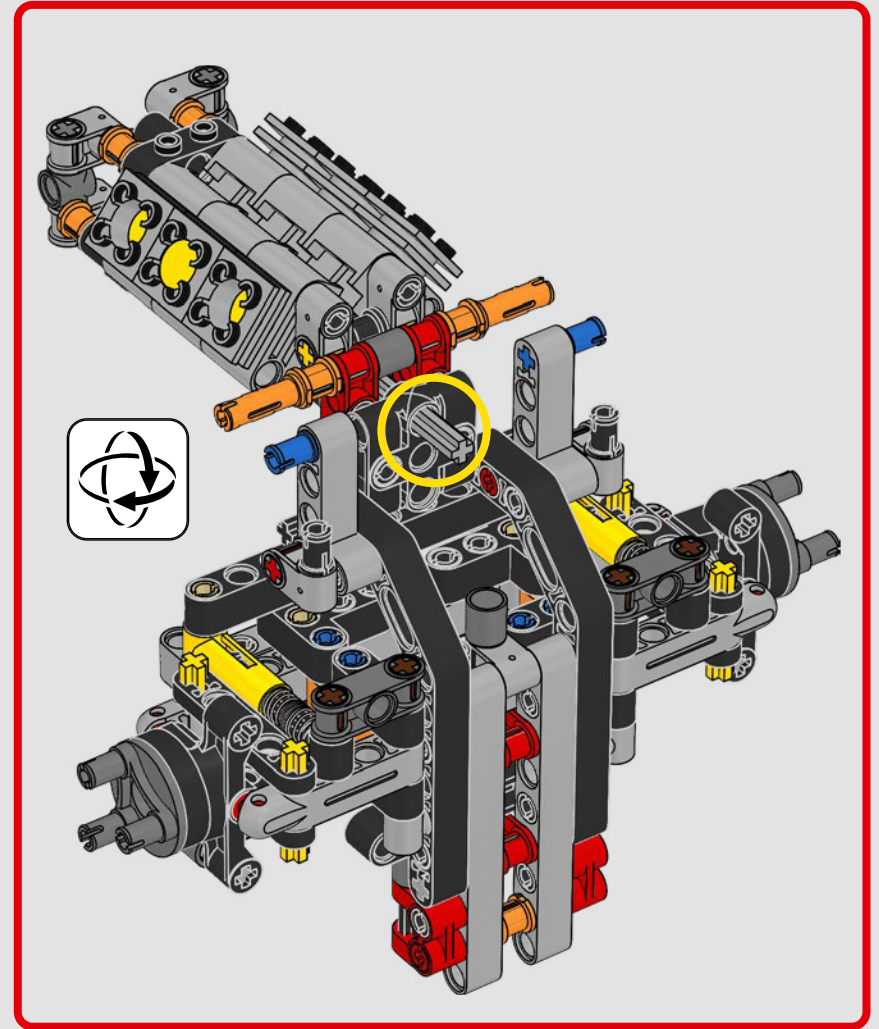
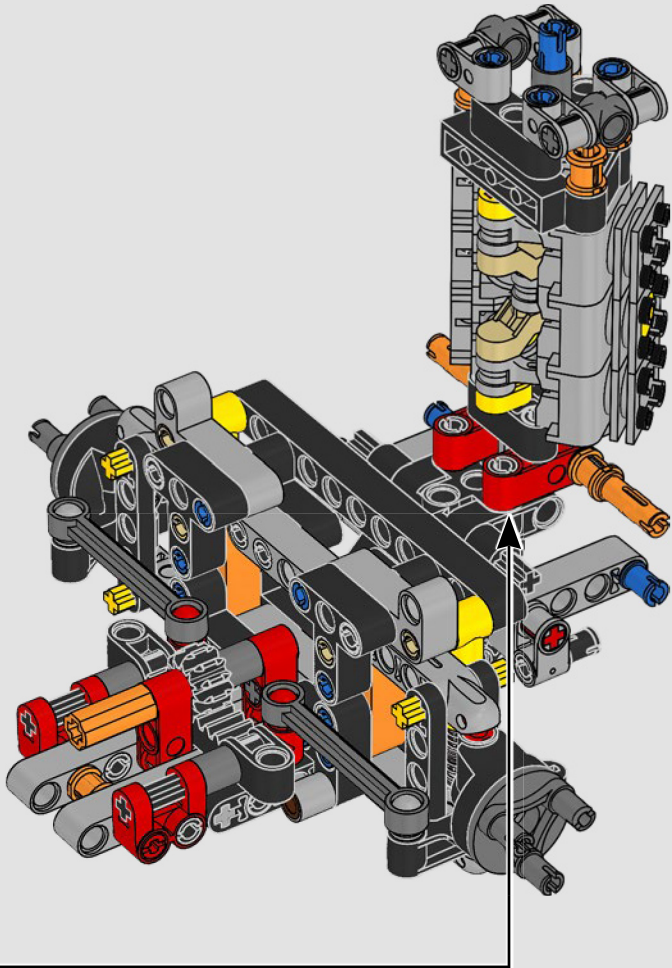




46



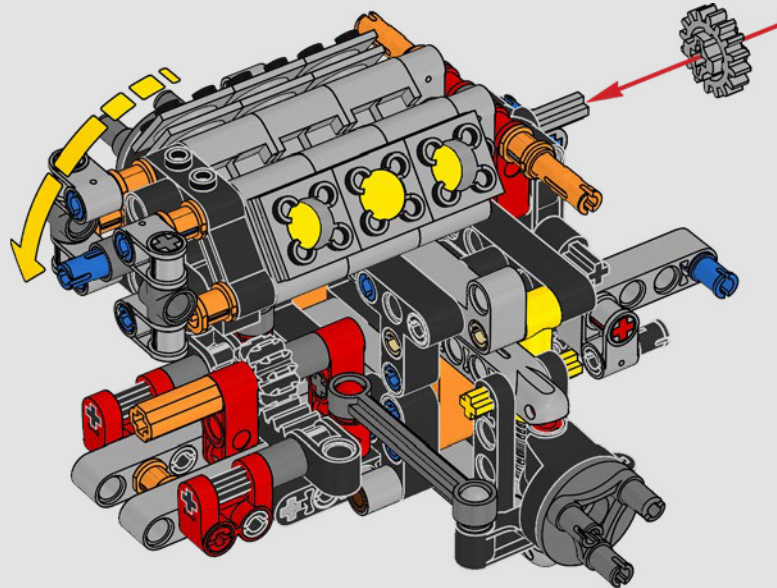
47





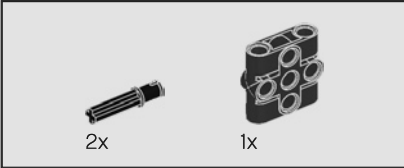
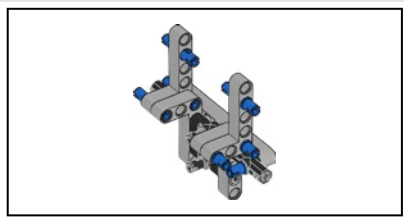
1x

48

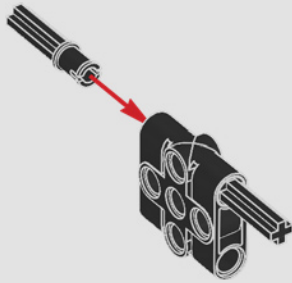


*Under the hood is a 24-valve, 3.5L twin-turbo HO V6 with Ford's dual-fuel port and direct injection, and 10-speed automatic transmission.*

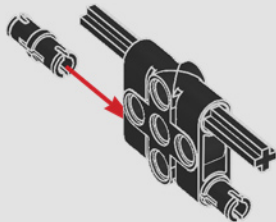




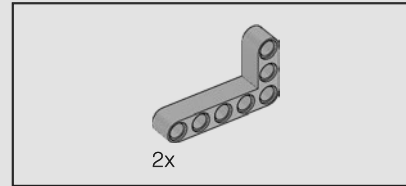
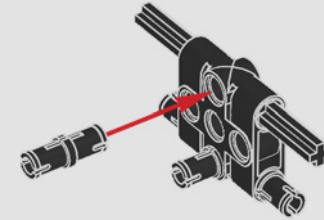
49



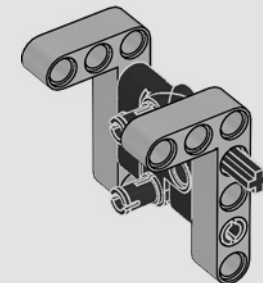
50

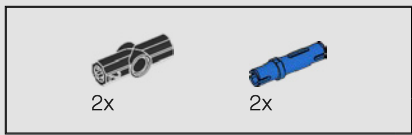


51

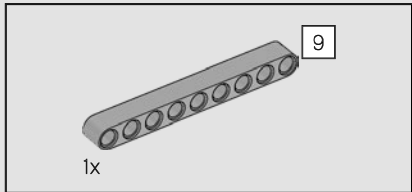
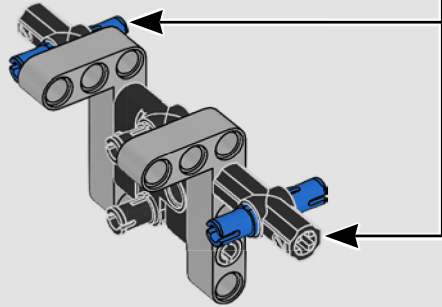
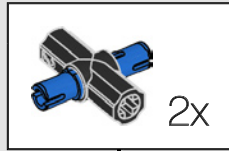


52

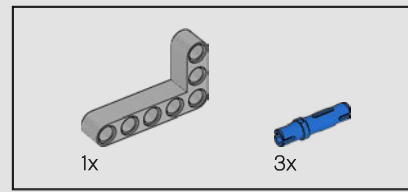
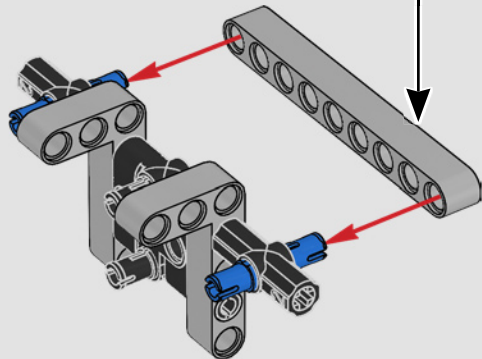
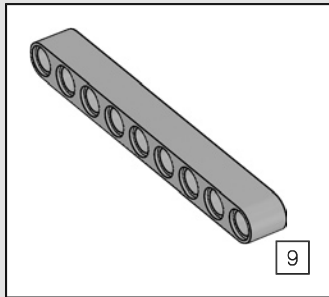




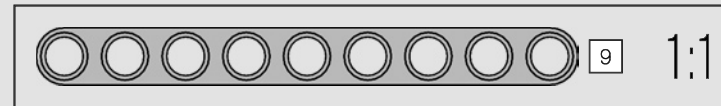
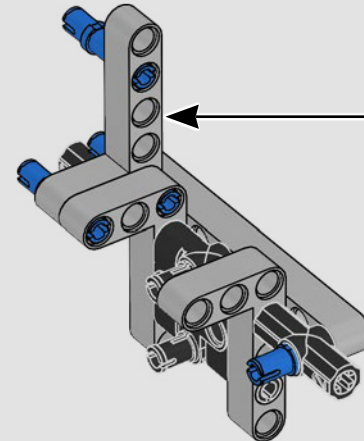
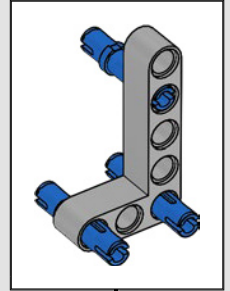
53

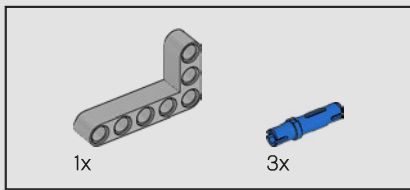


54

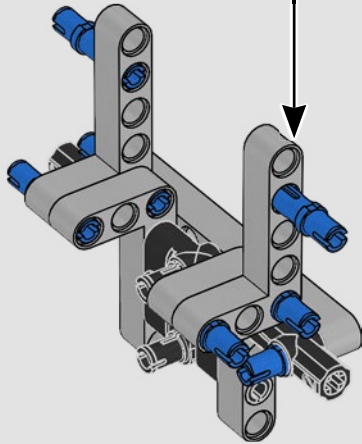
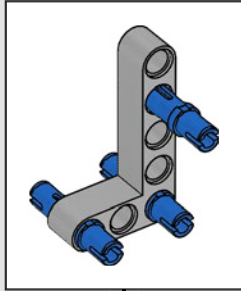


55

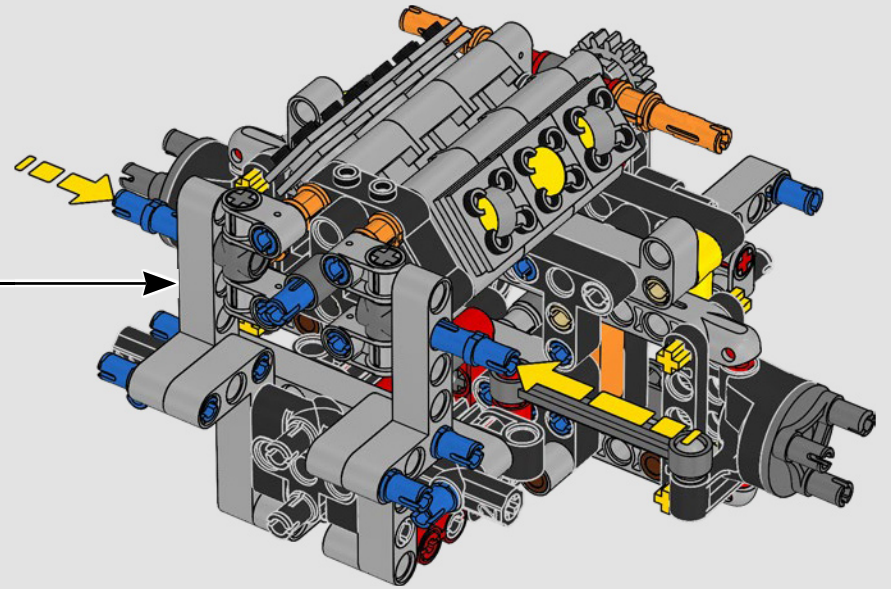




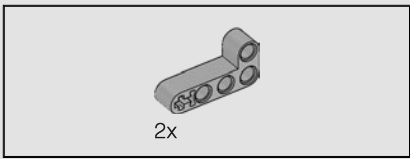
56



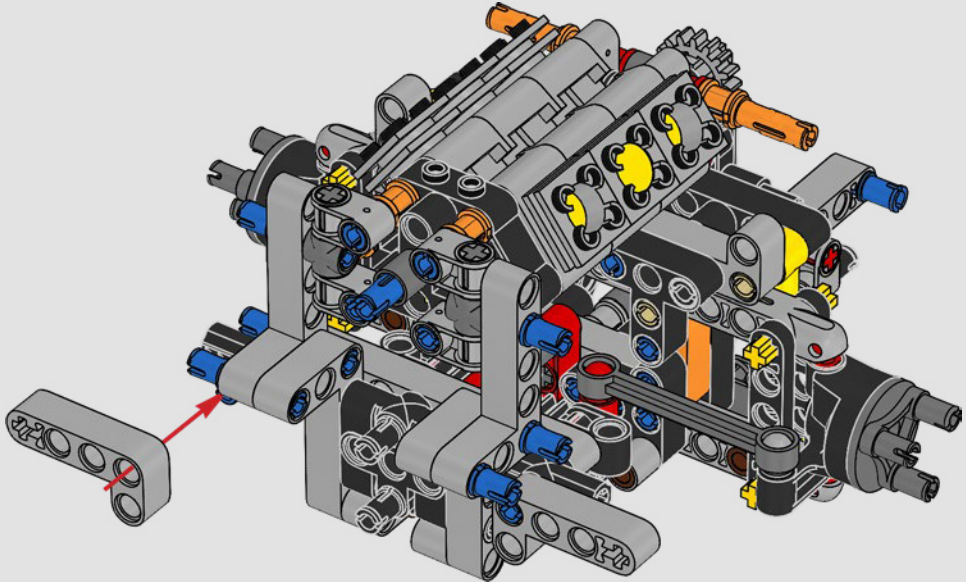
57



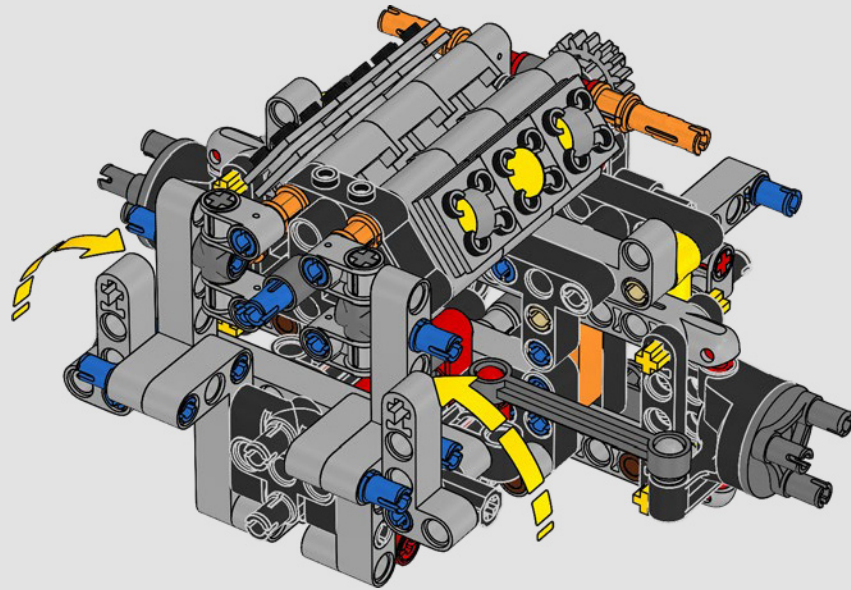


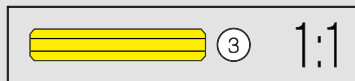
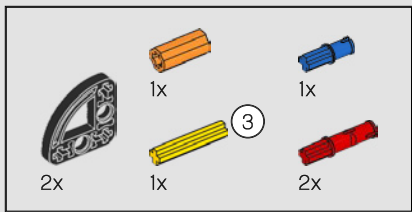


58

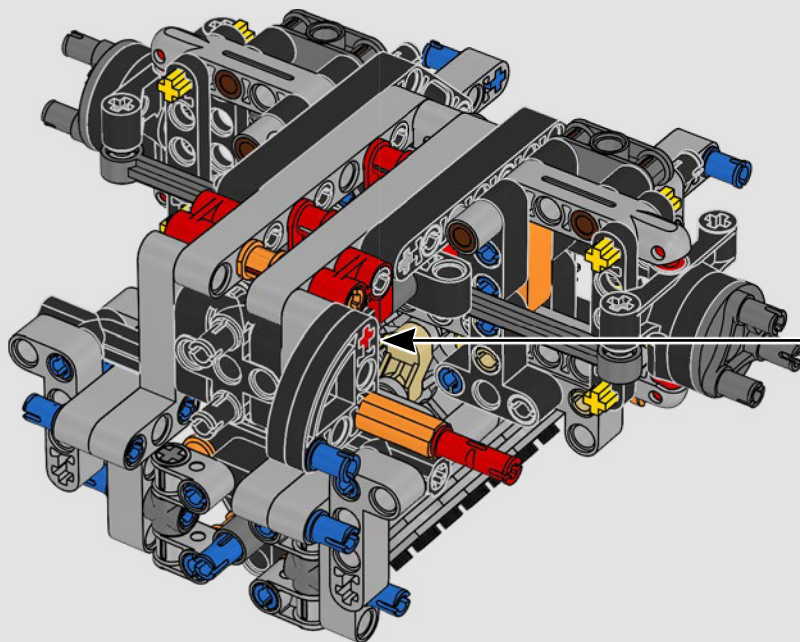
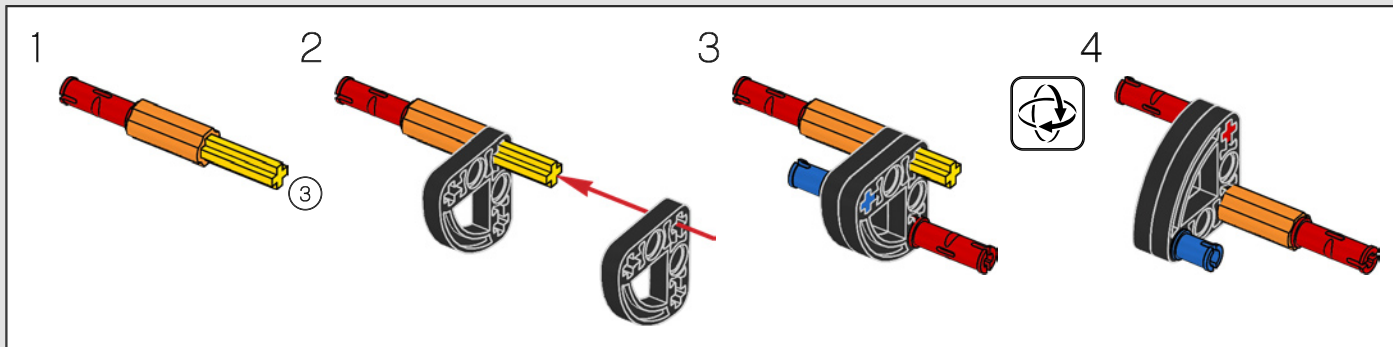


59

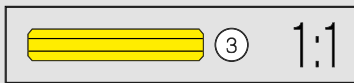
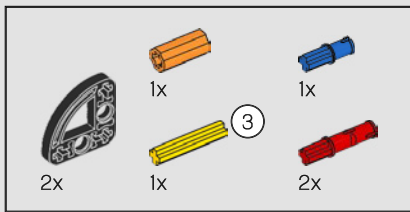




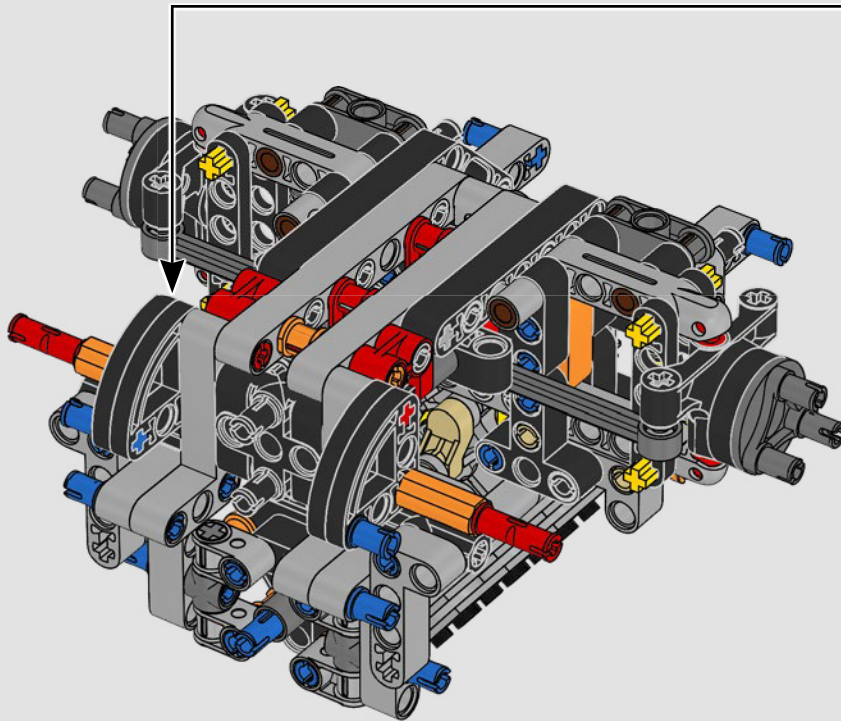
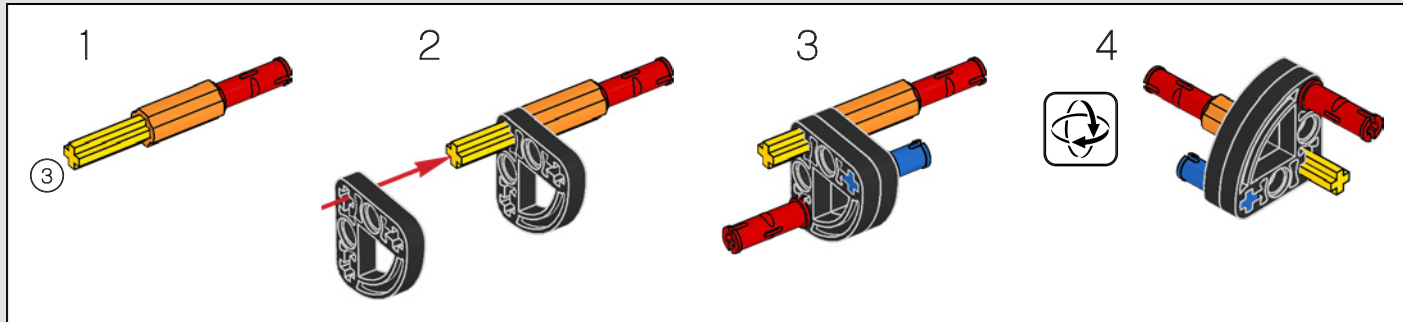
60

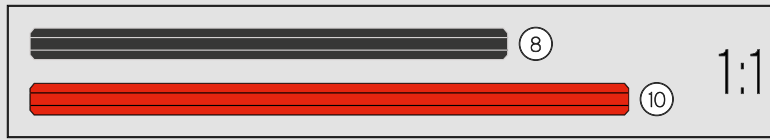
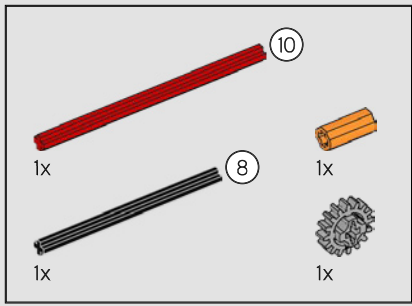




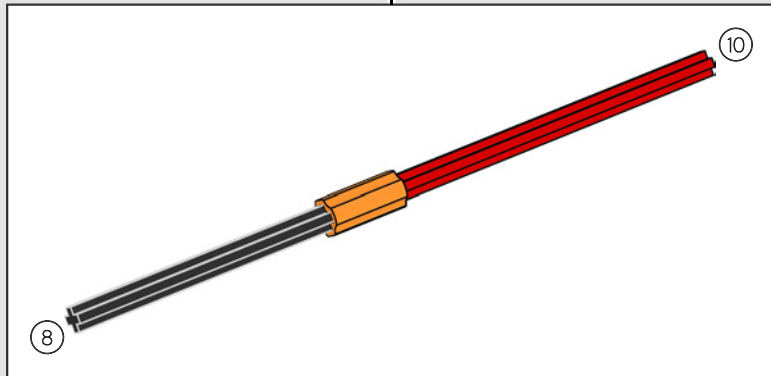
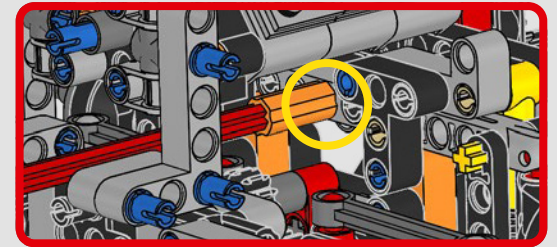
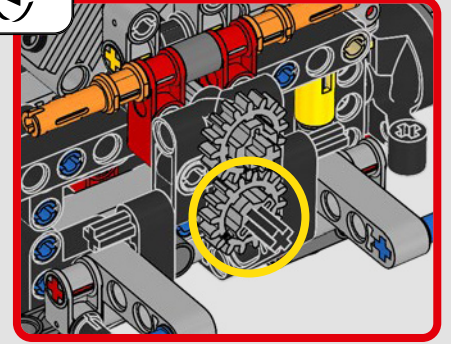
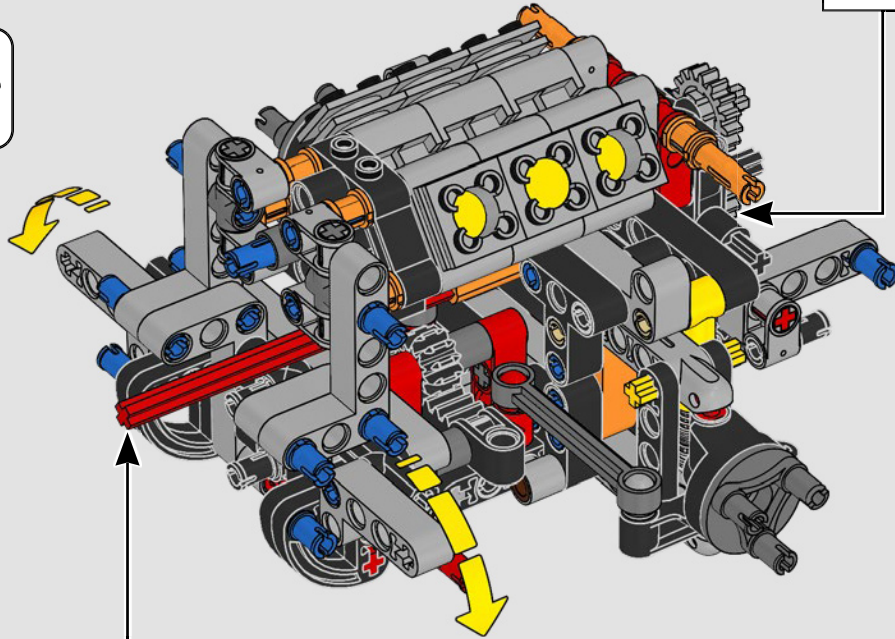


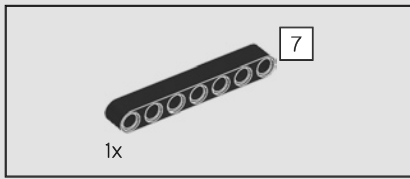
61



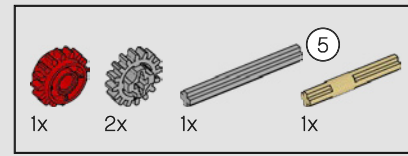
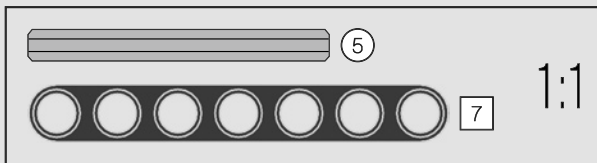
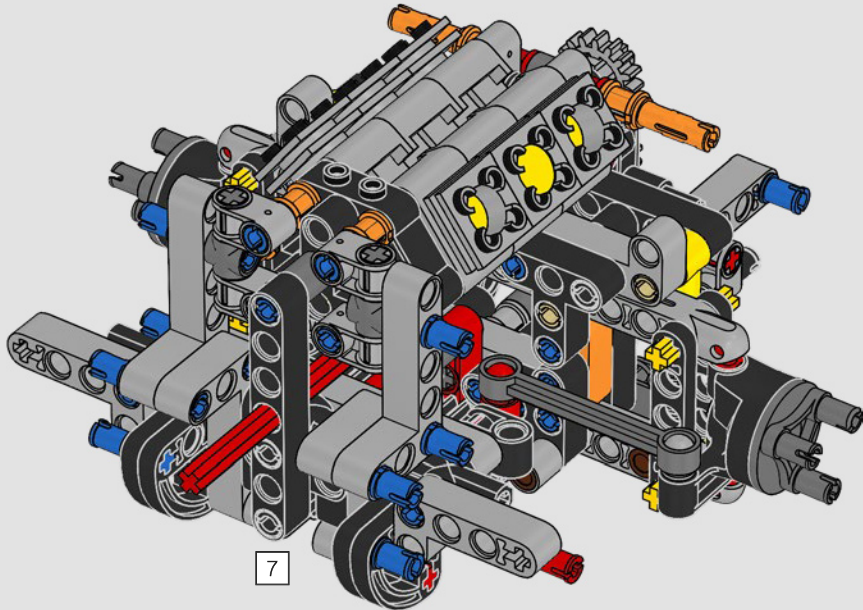


62

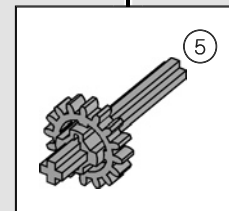
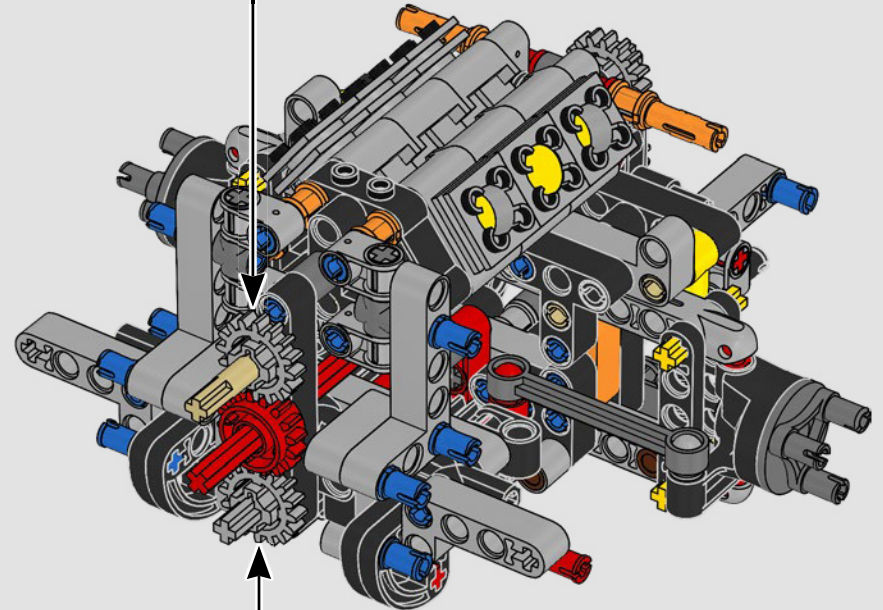
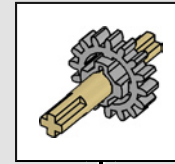




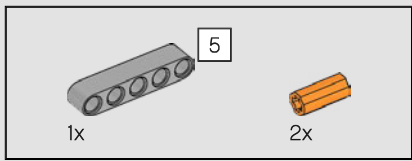
63



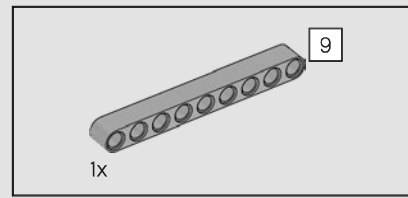
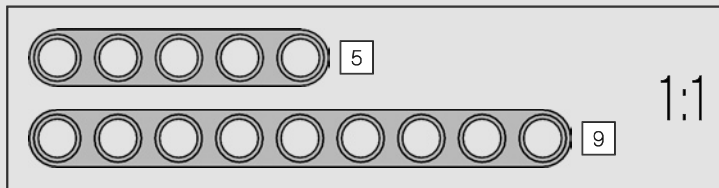
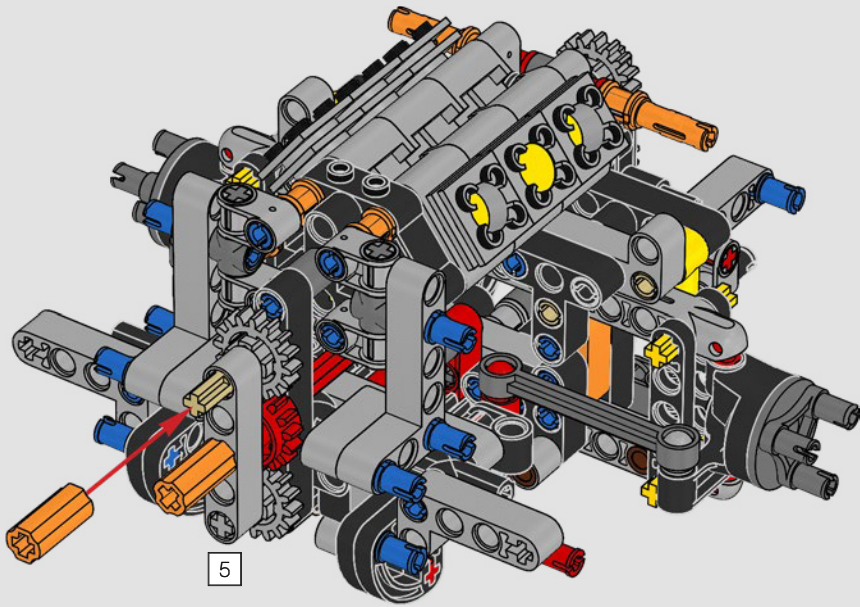
64



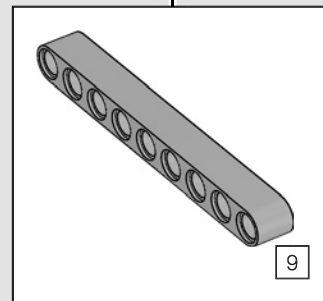
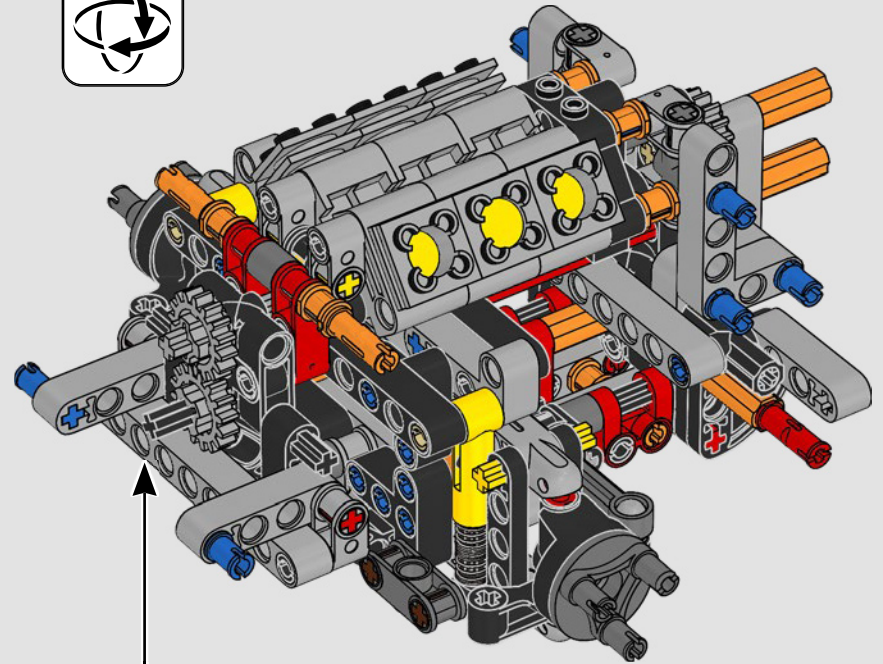
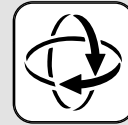


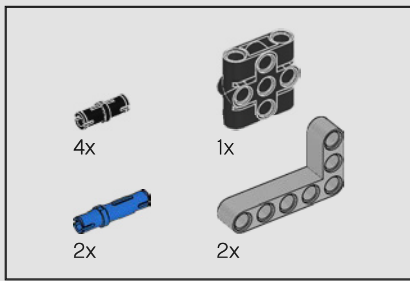


65

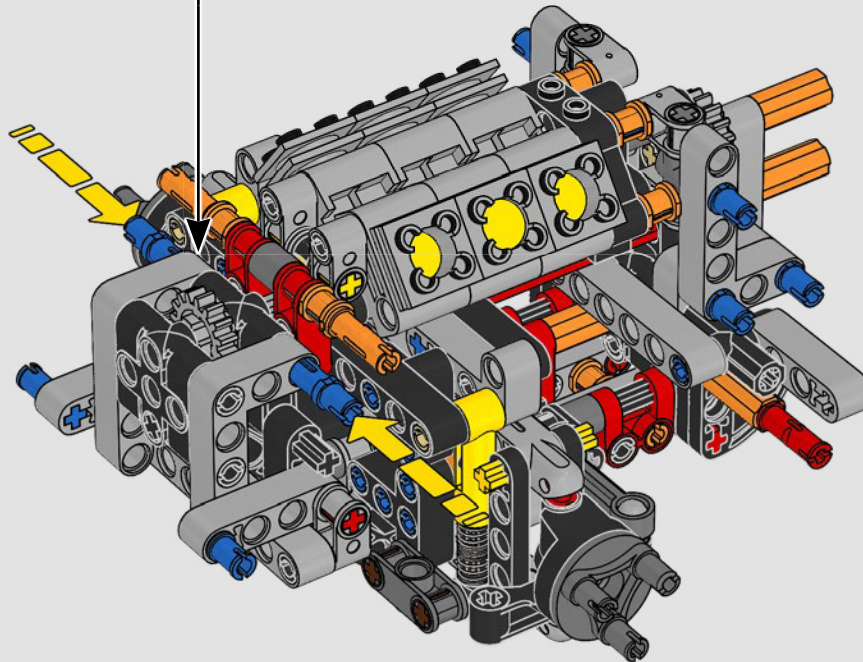
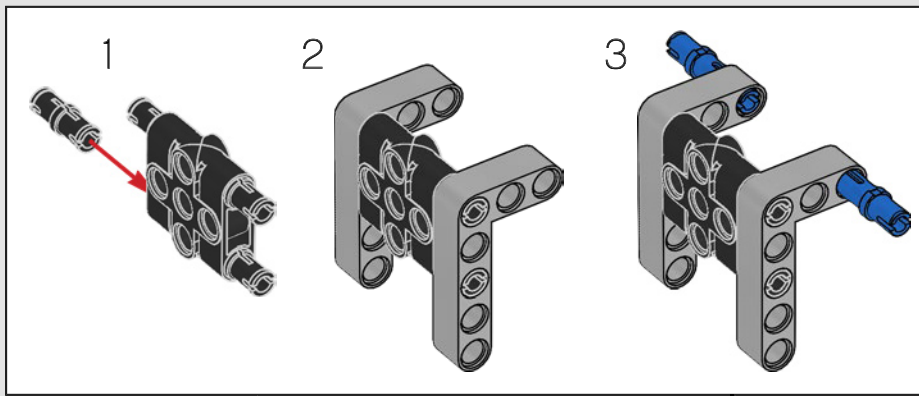


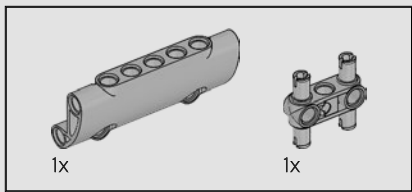
66



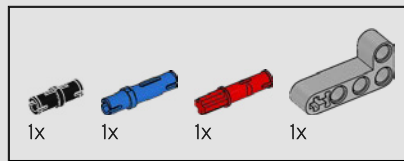
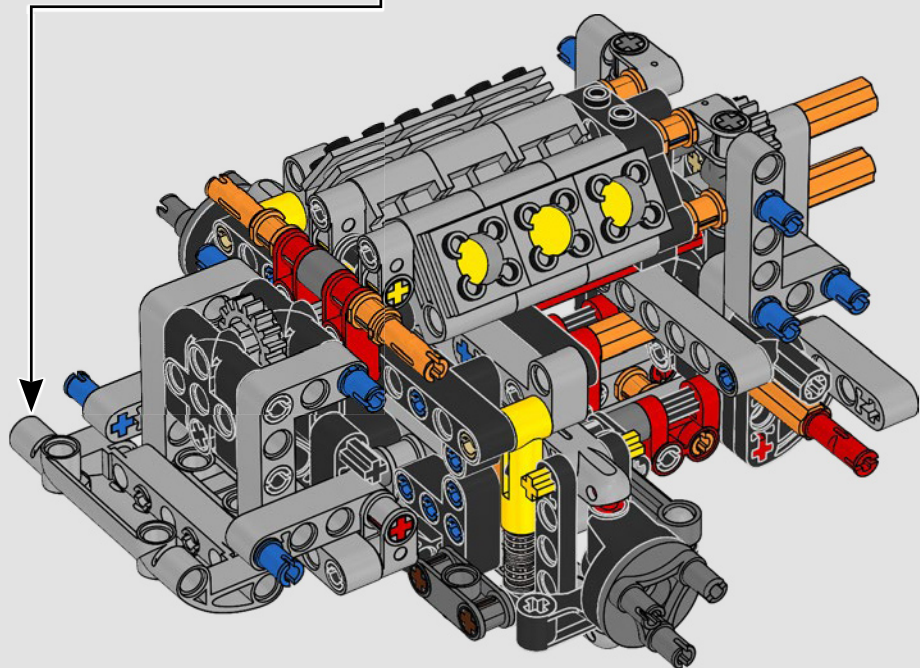
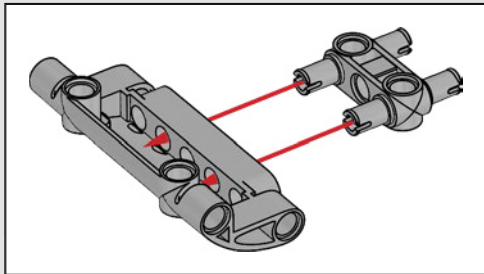


67

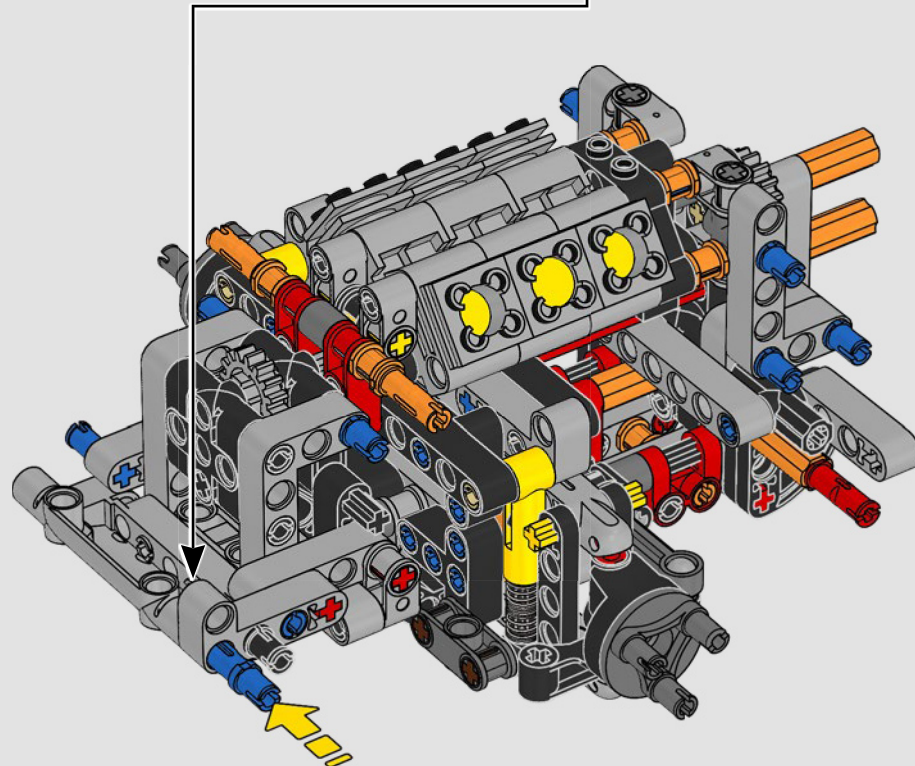
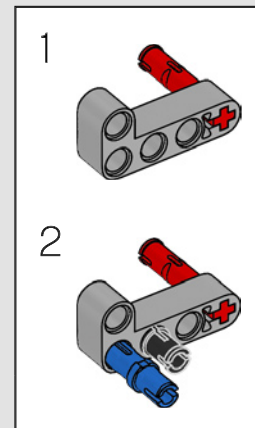




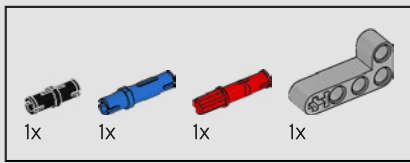
68



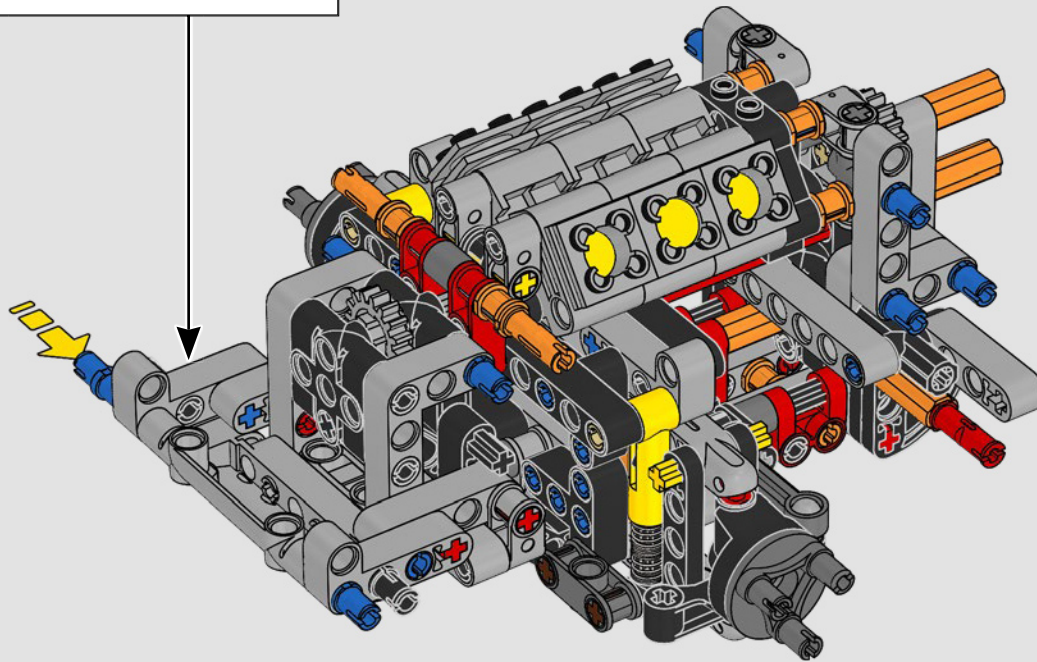
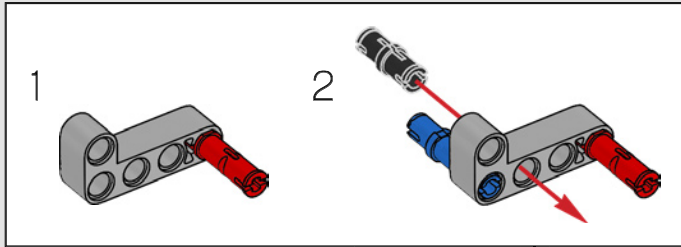
69

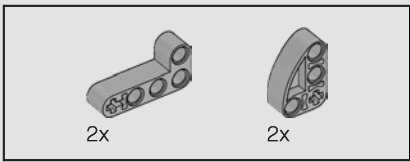




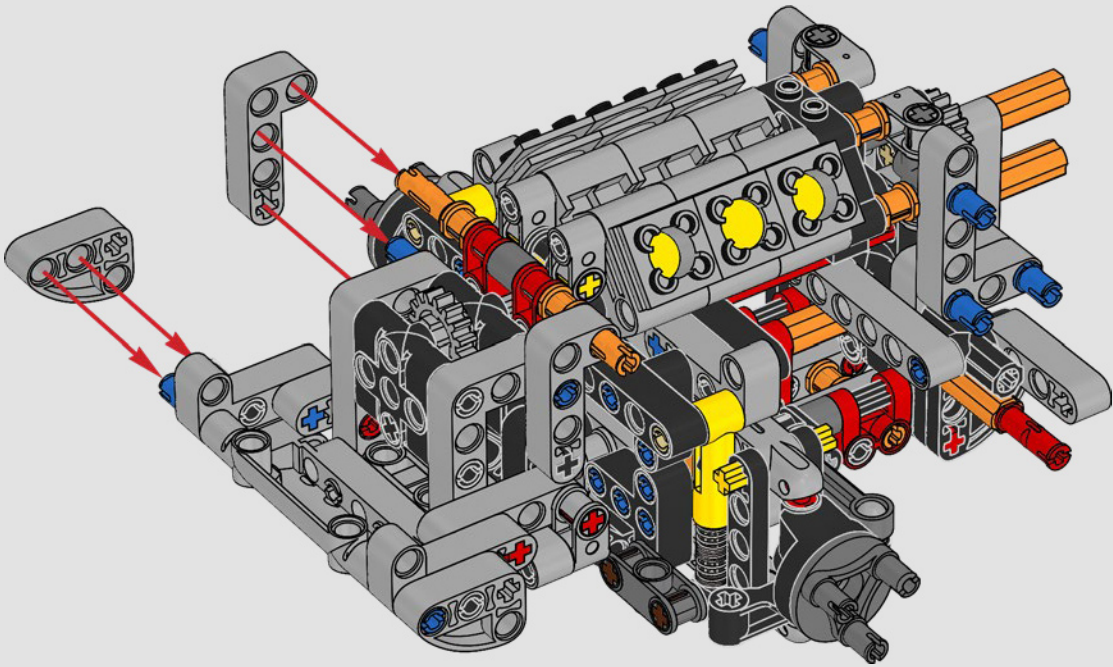


70

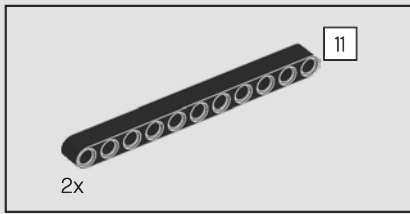




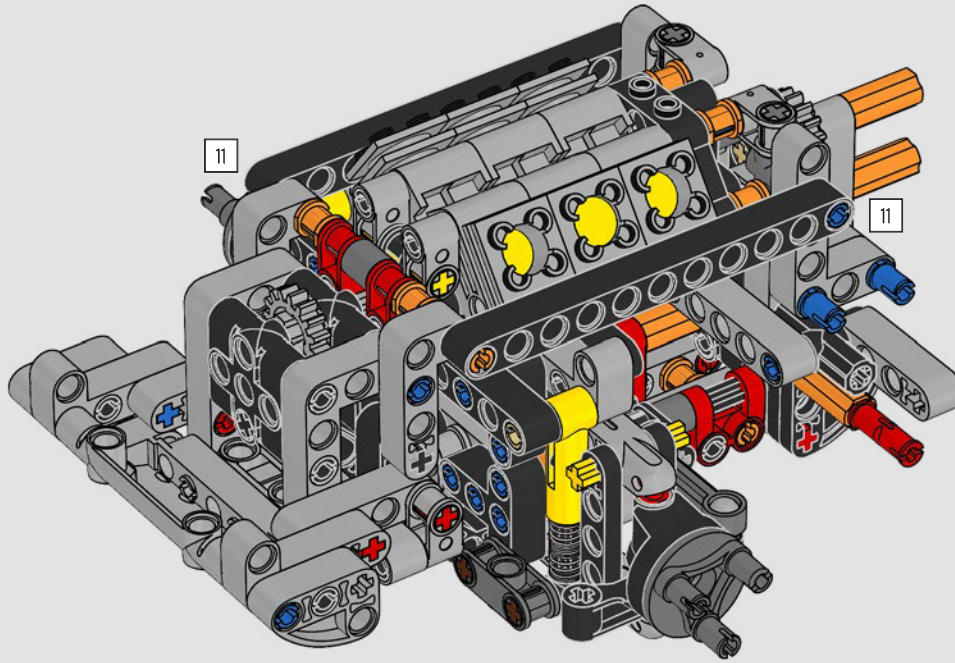
71

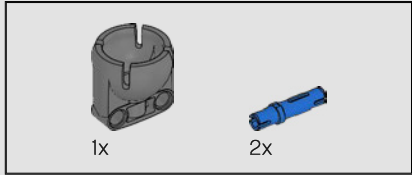
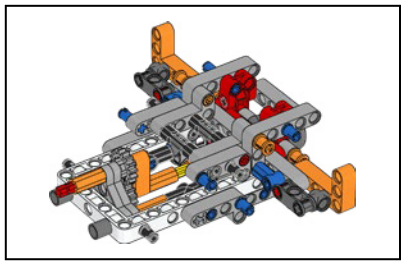


*Optimised for off-road use, the Raptor is fitted with four-wheel drive as standard.*

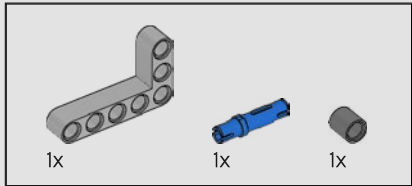
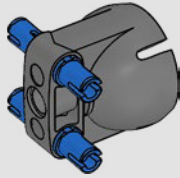


72

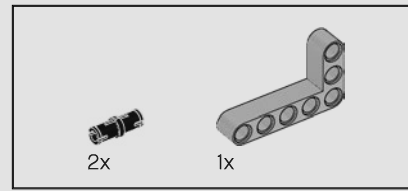
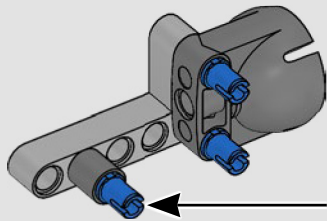
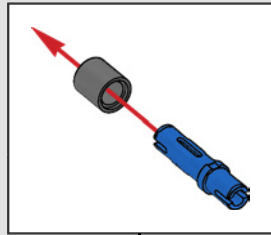




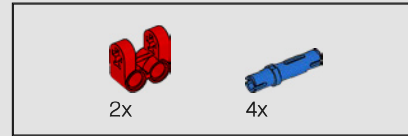
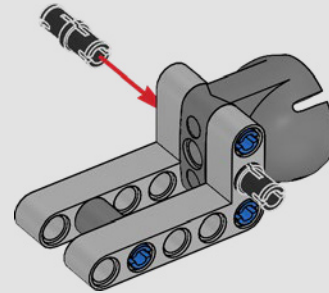
73



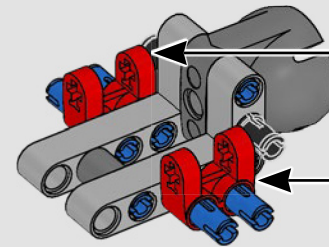
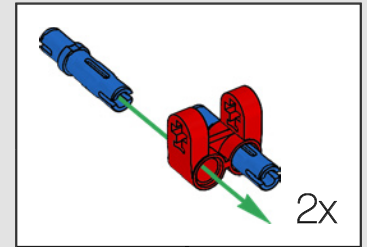
74



75



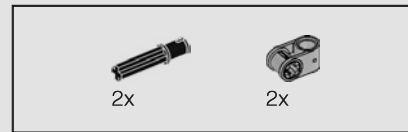
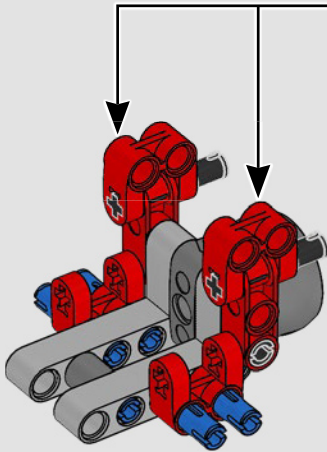
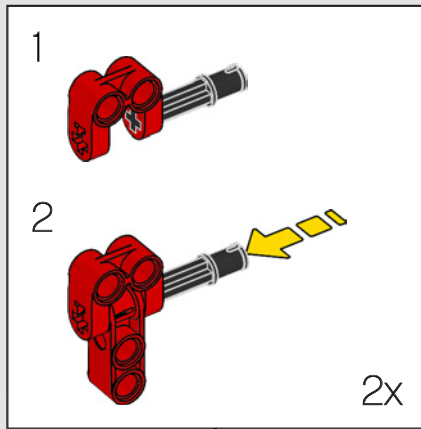
76



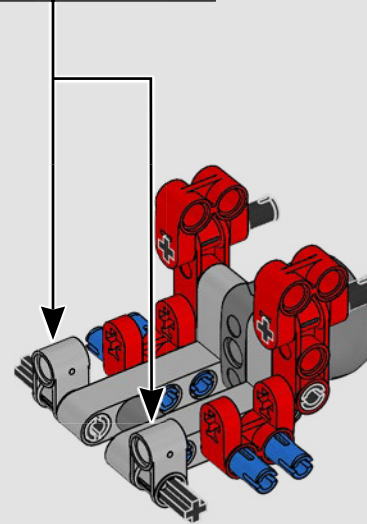
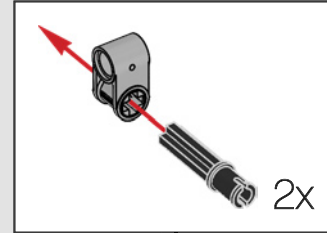


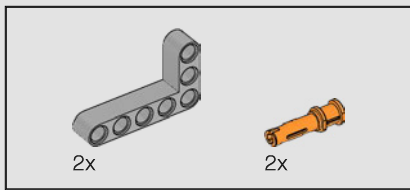


77

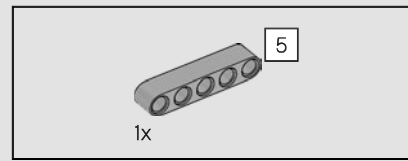
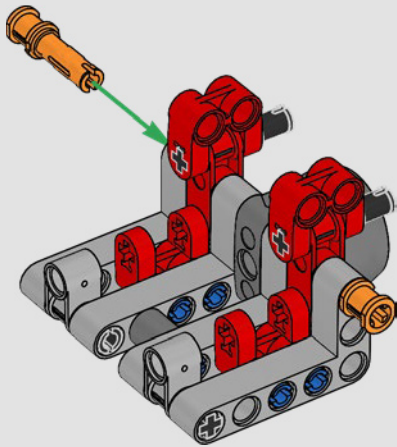


78

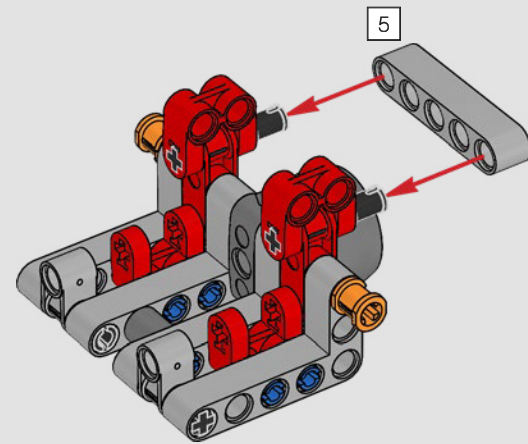


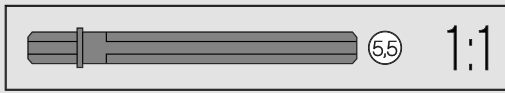
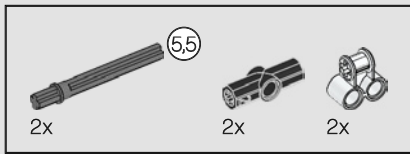


79

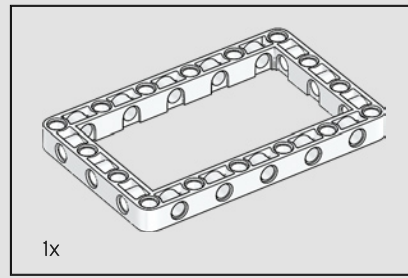
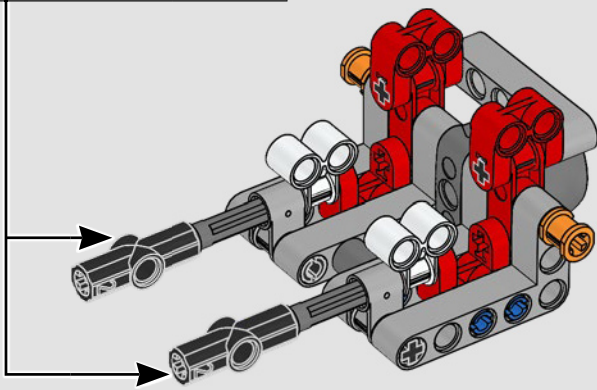
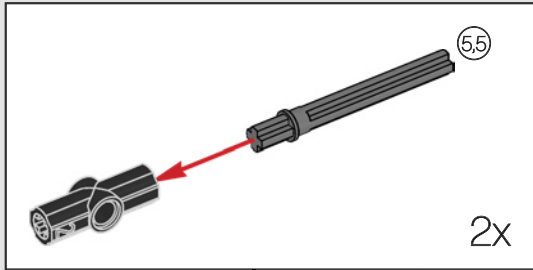


80

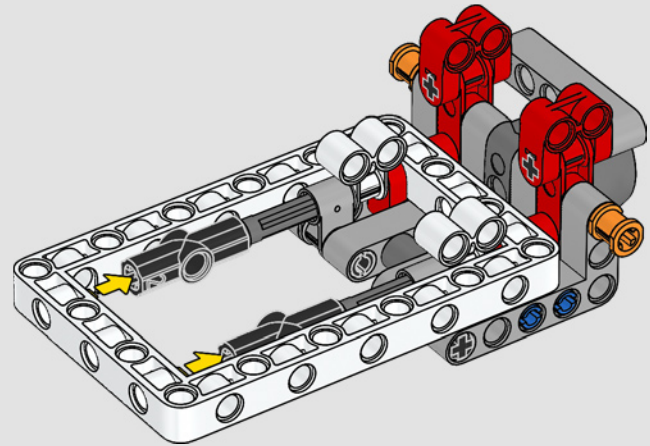


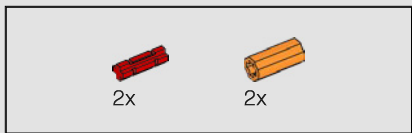


81

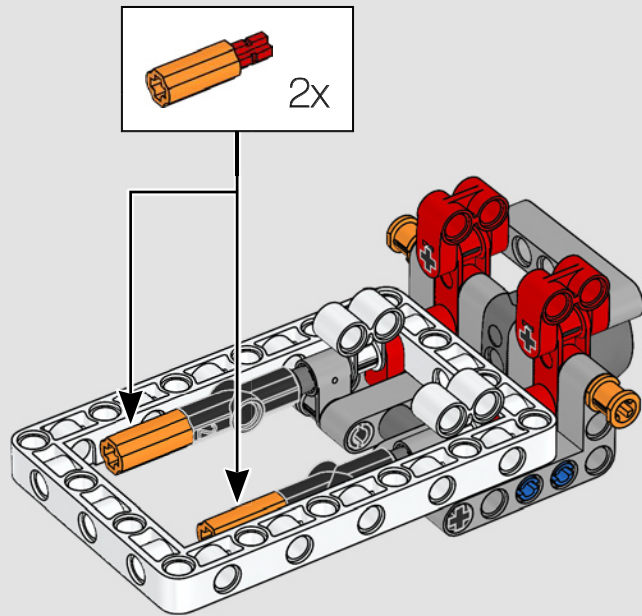


82

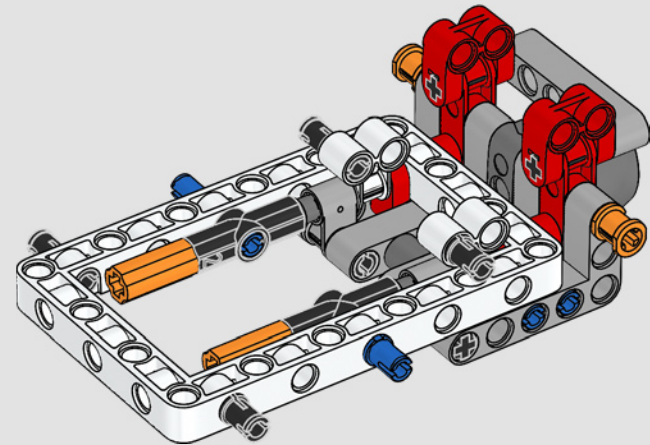




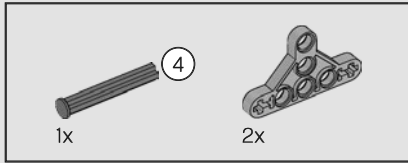
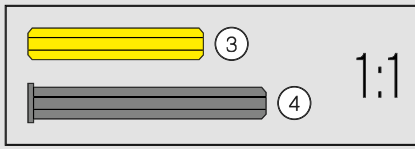
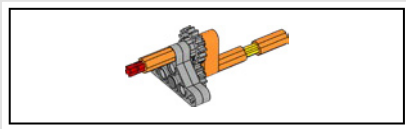
83



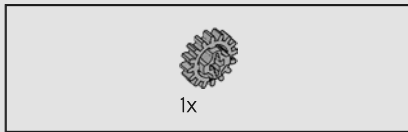
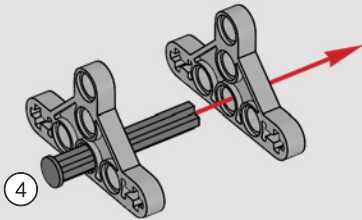
84



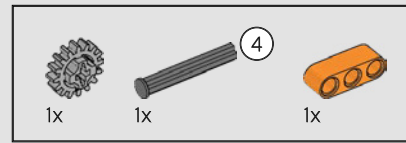
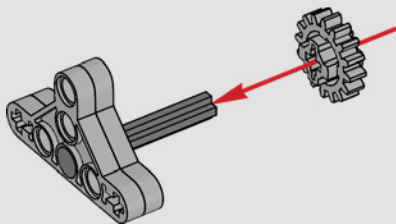




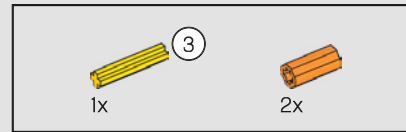
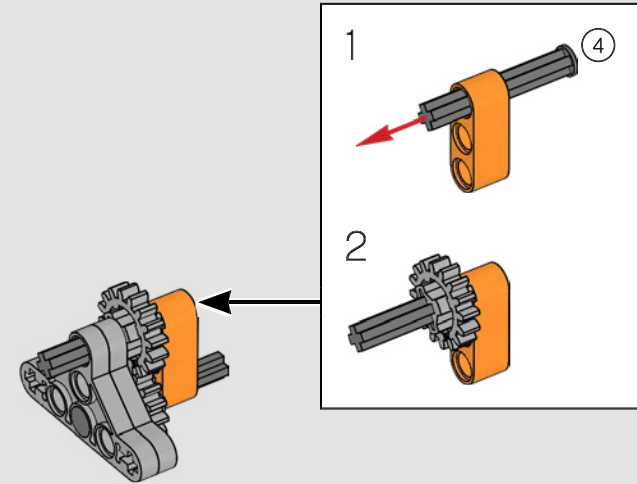
85



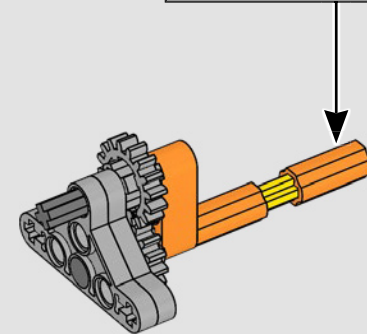
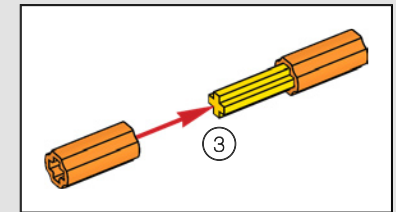
86

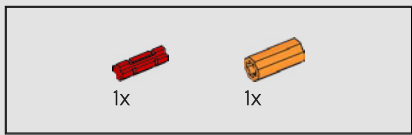


87

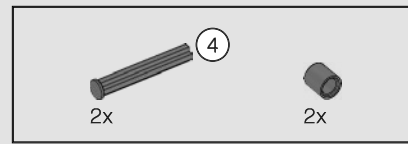
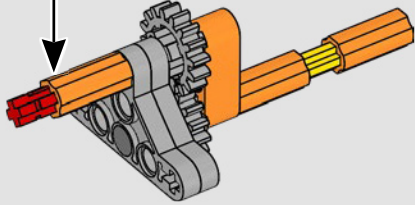
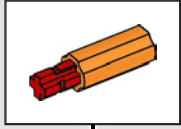


88

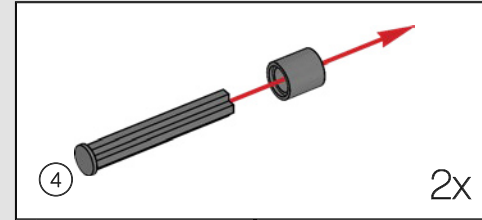
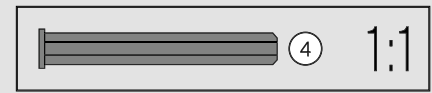




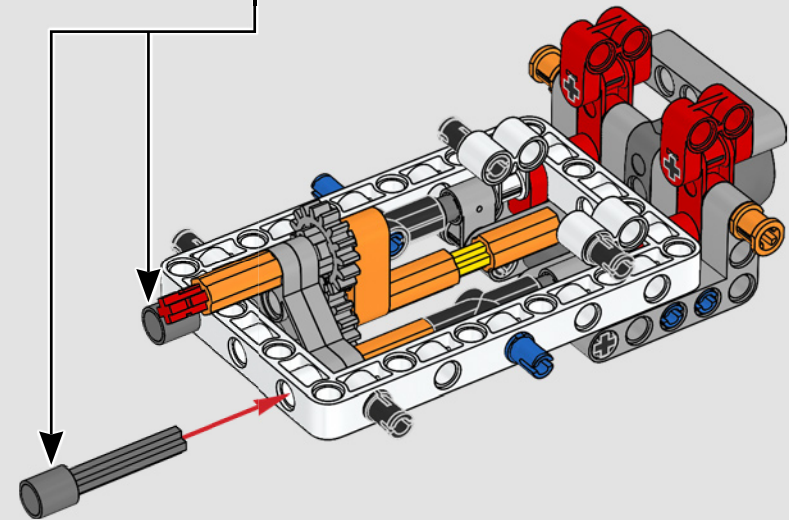
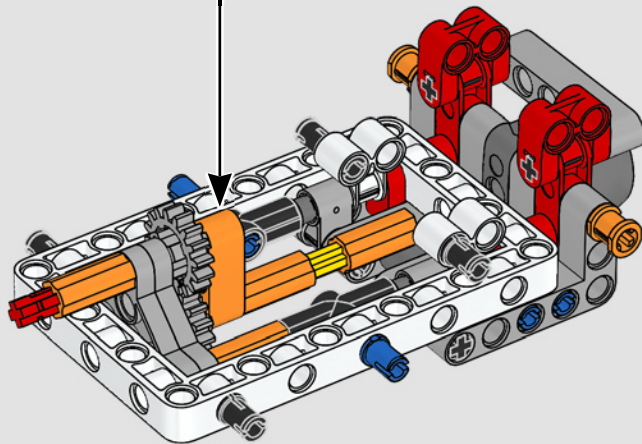
89

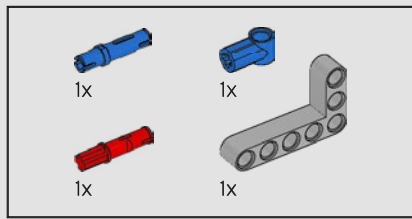


91

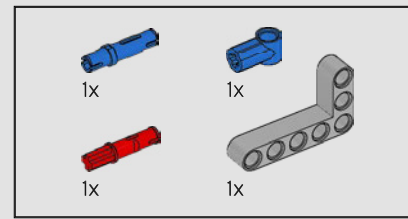
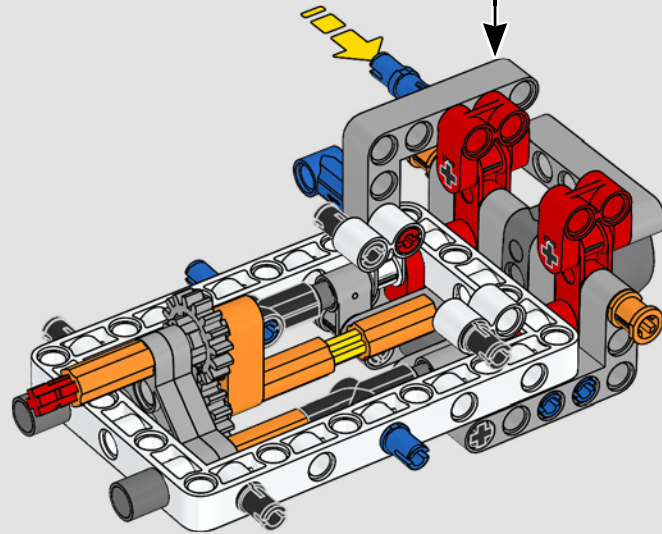
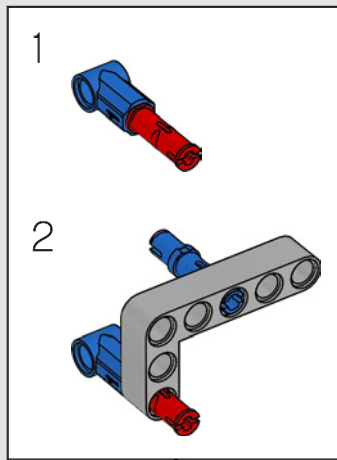


90

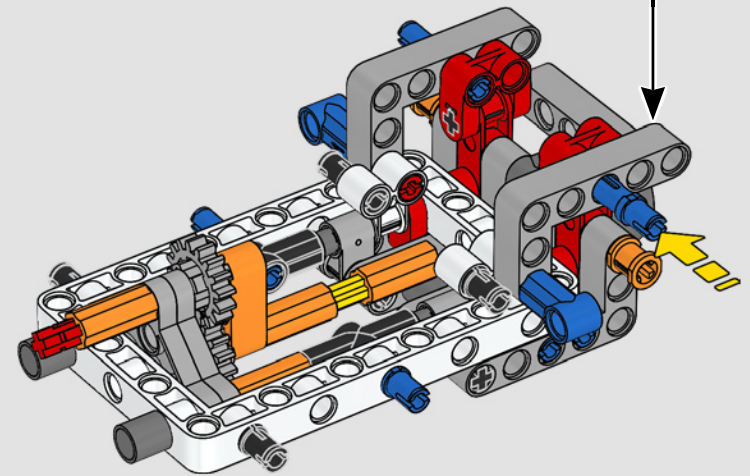
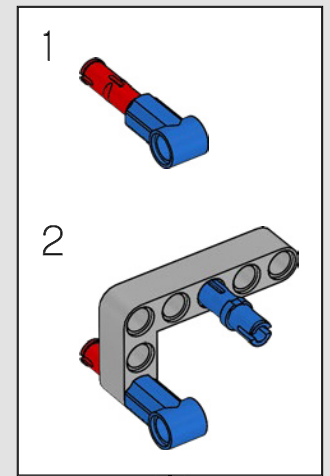


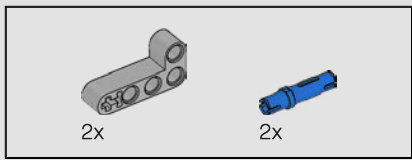


92

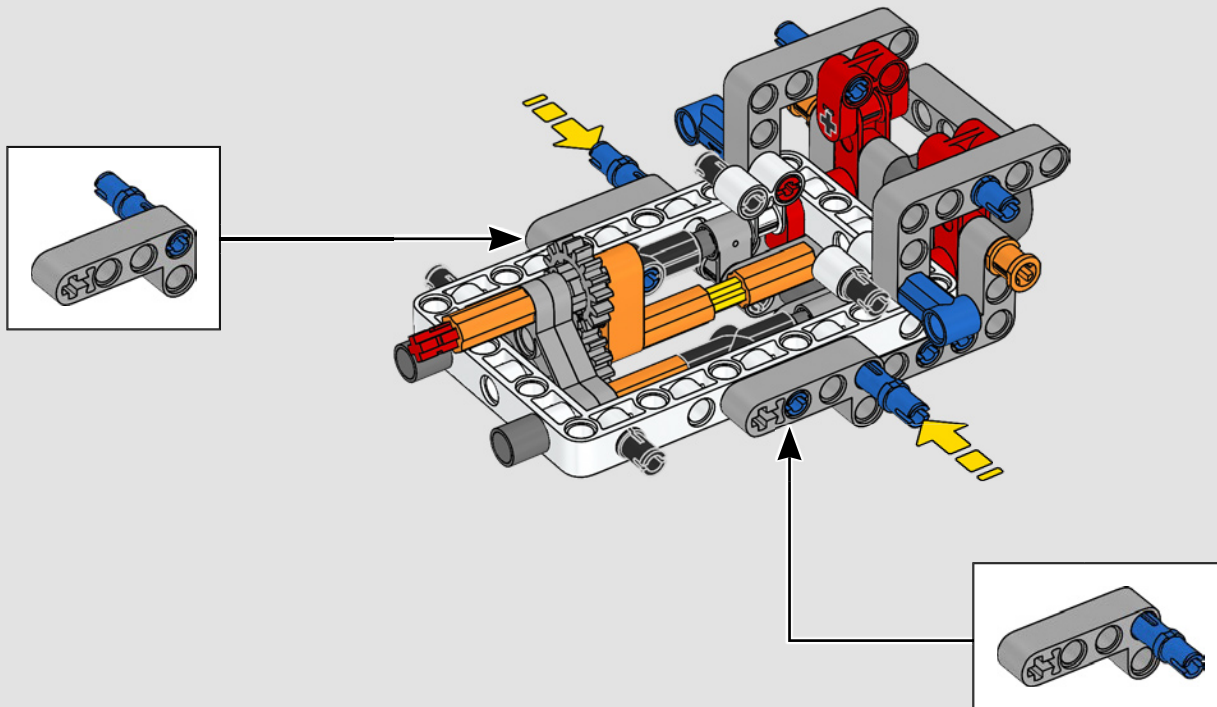


93

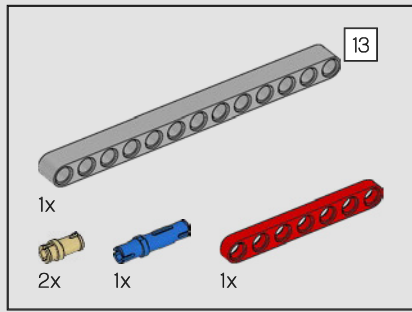




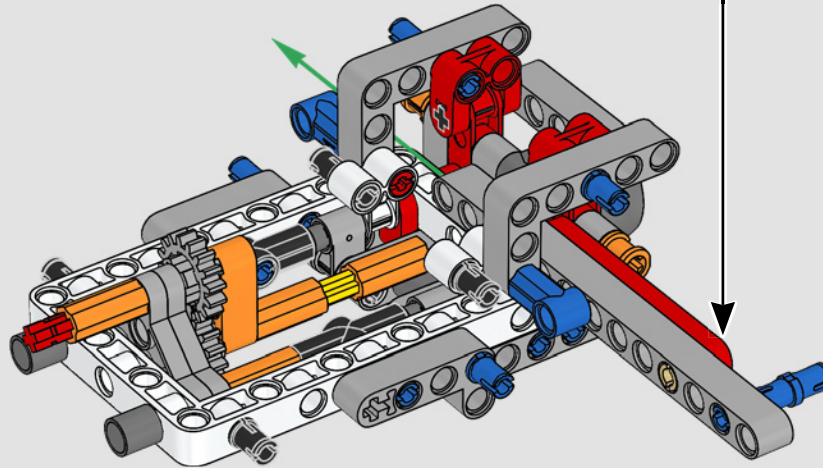
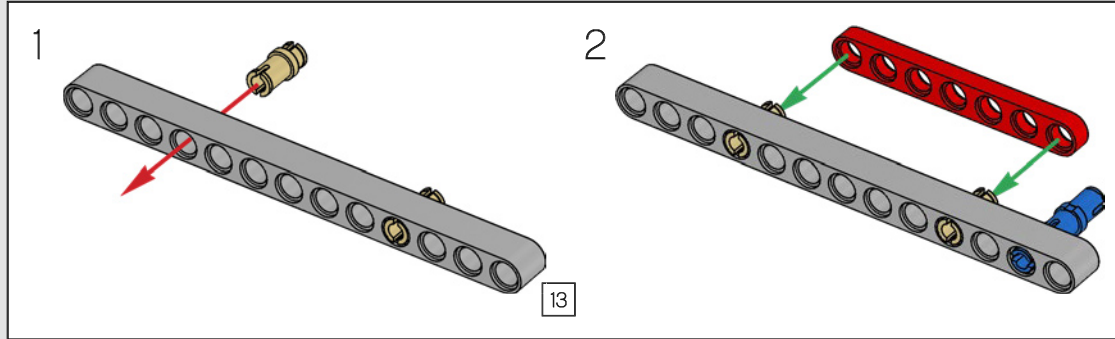
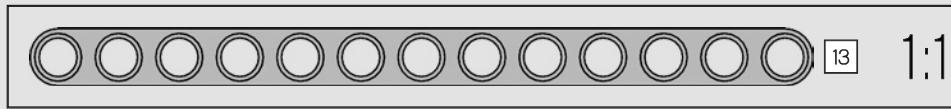
94



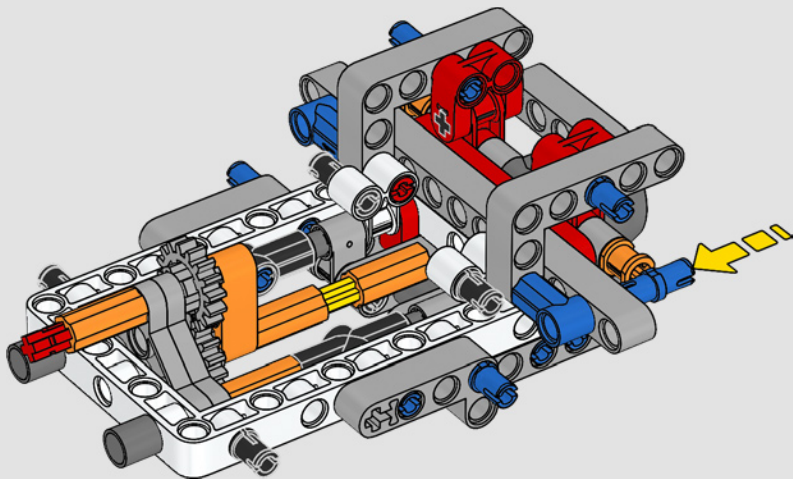




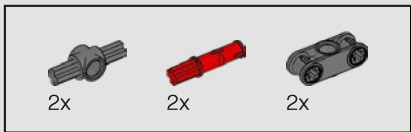
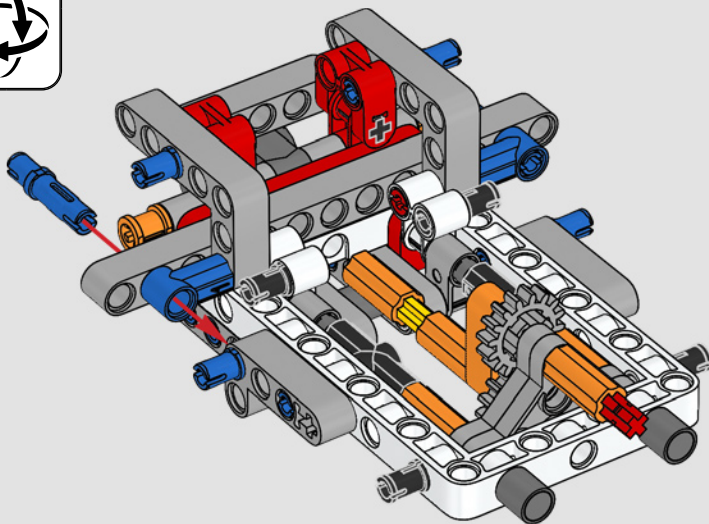
95



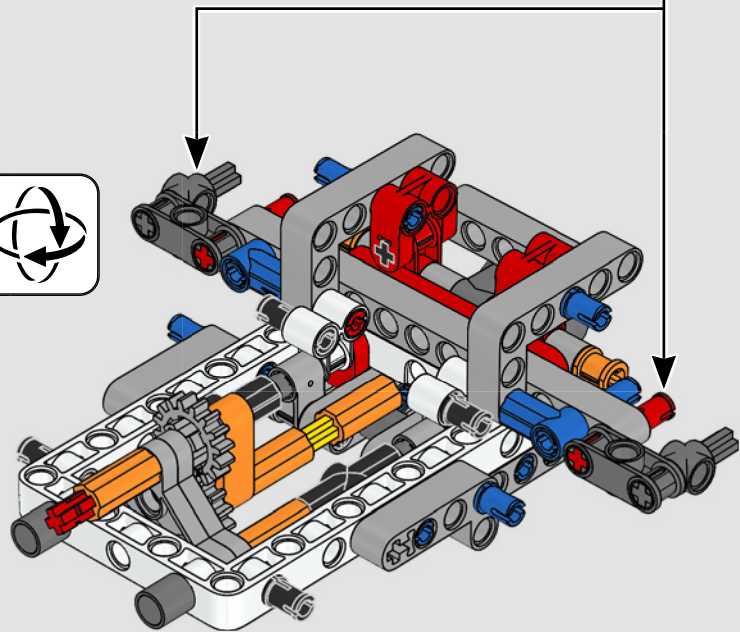
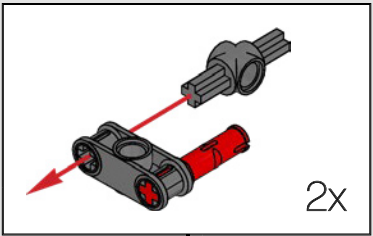
96

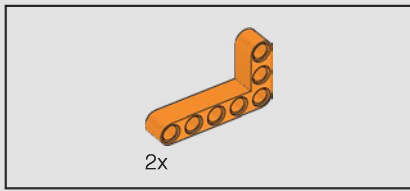


97

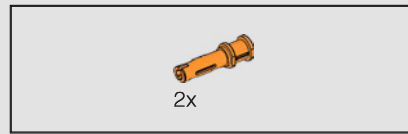
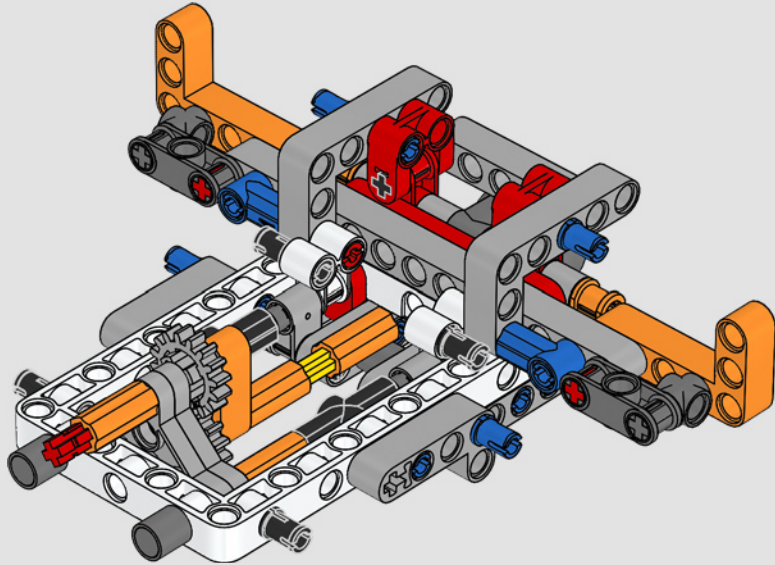


98

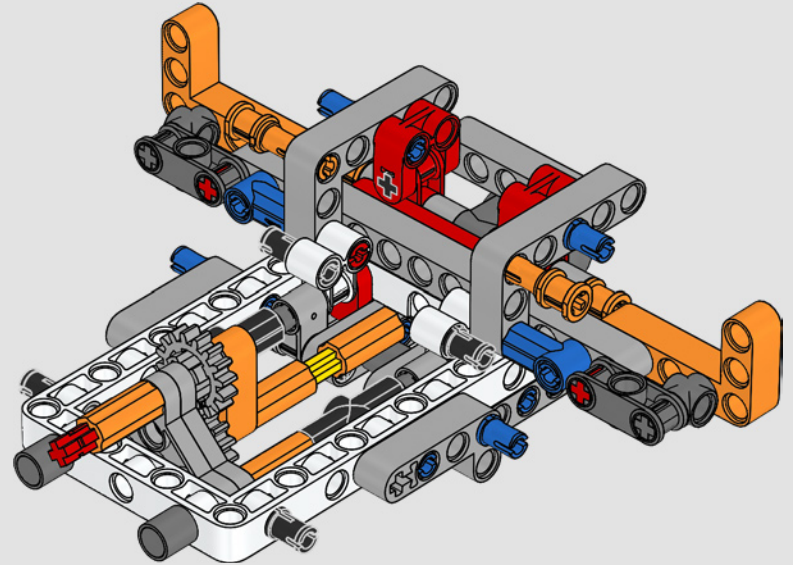


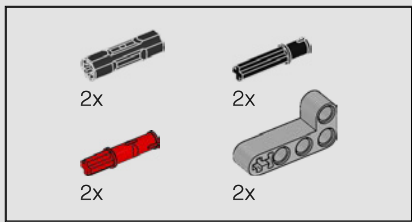


99

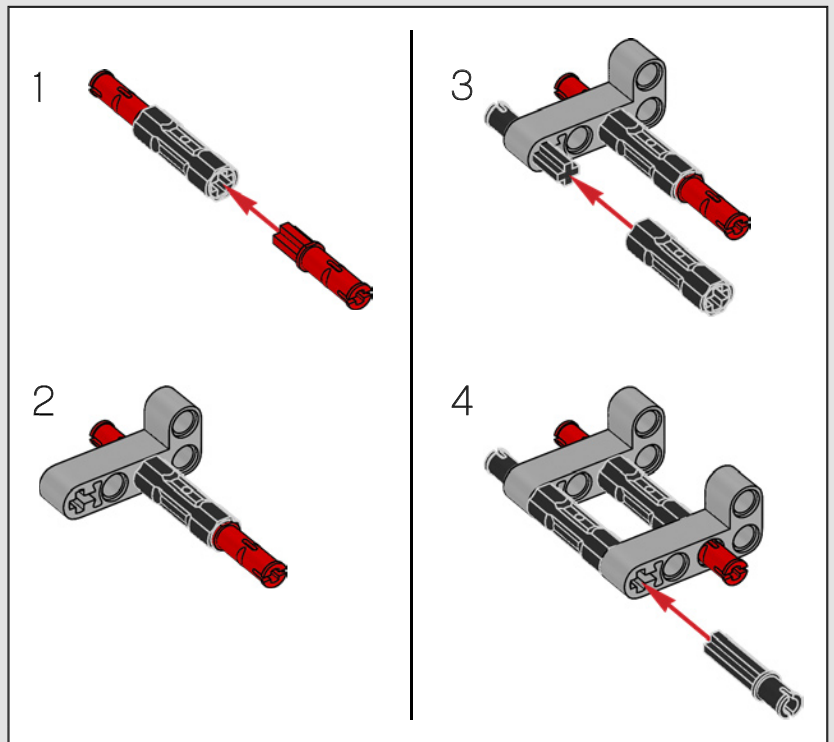
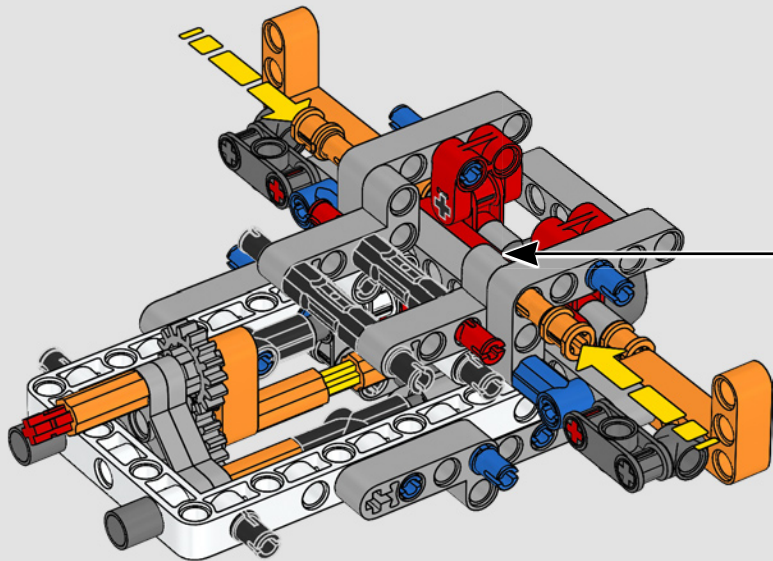


100

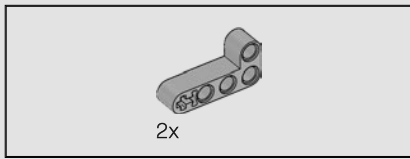




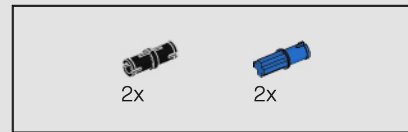
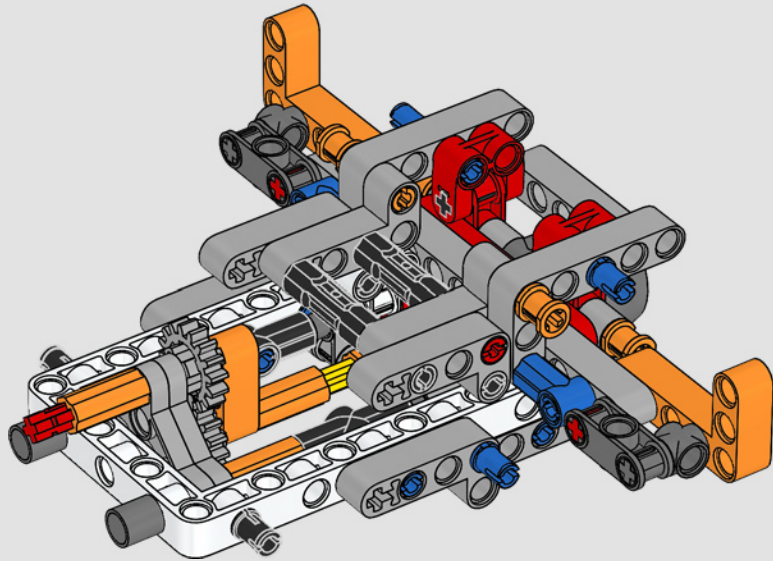
101



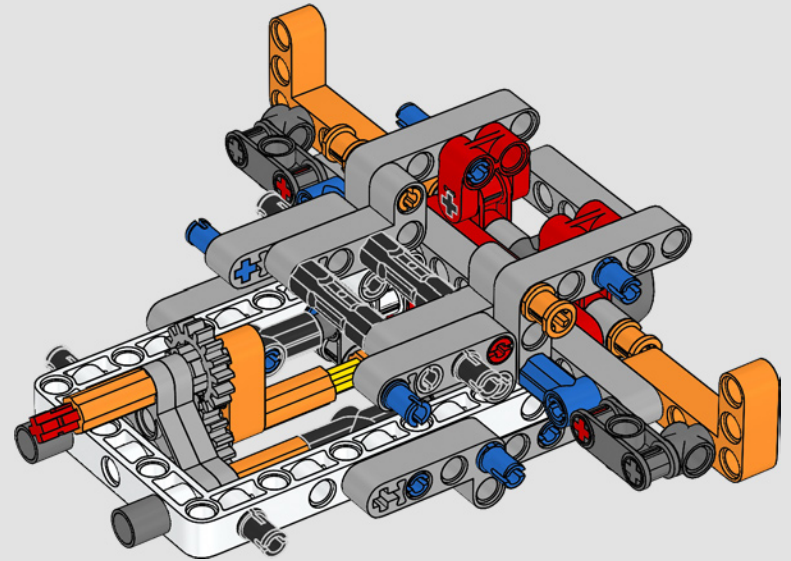




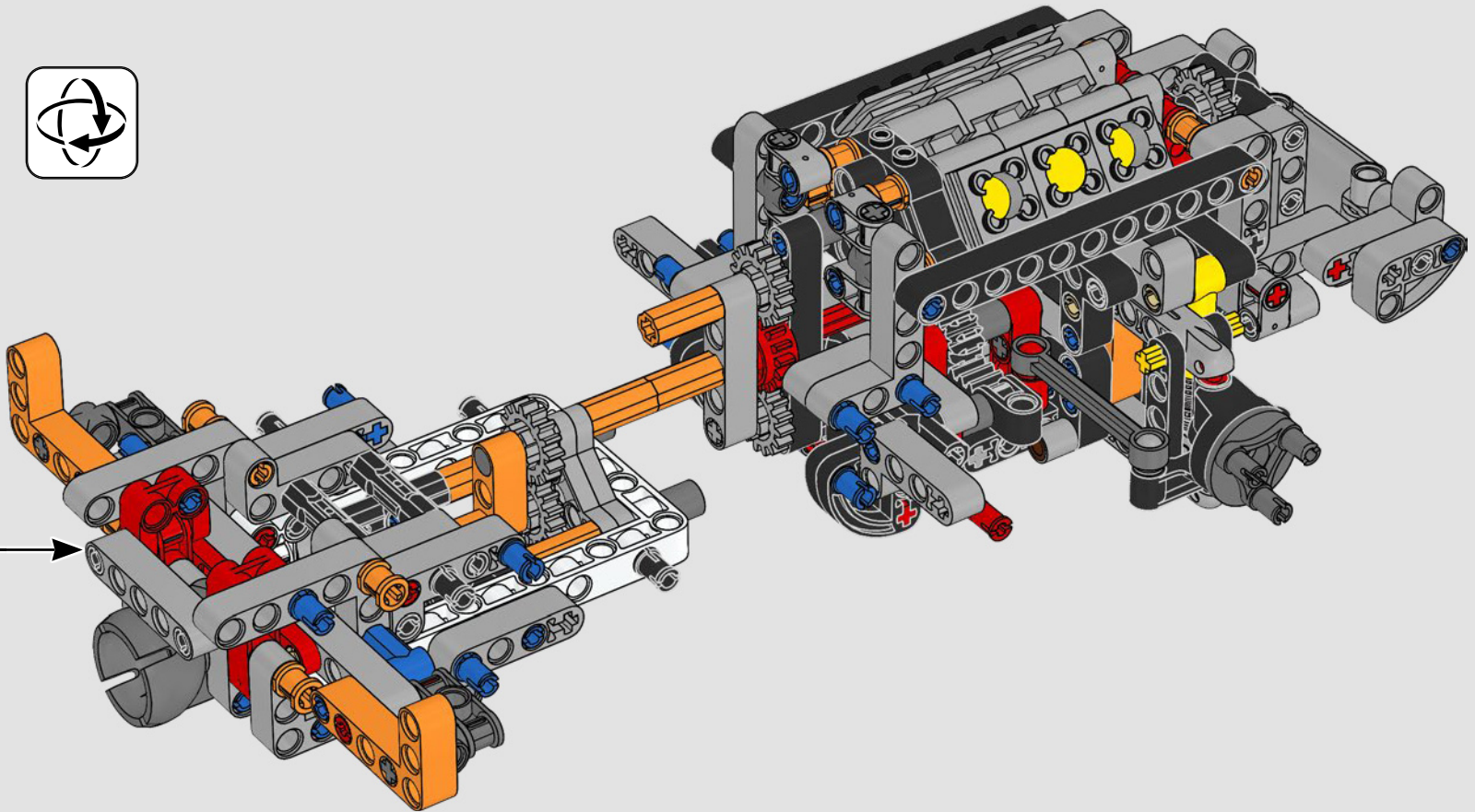
102

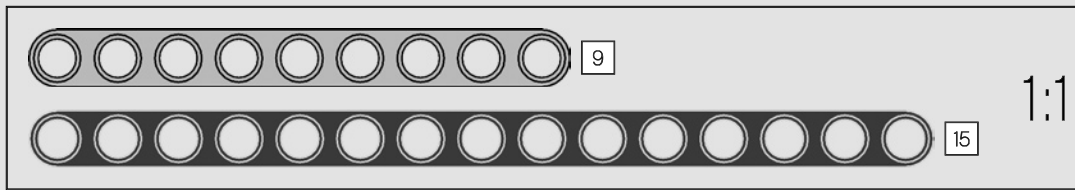
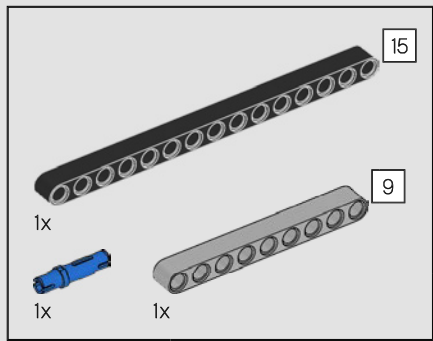


103

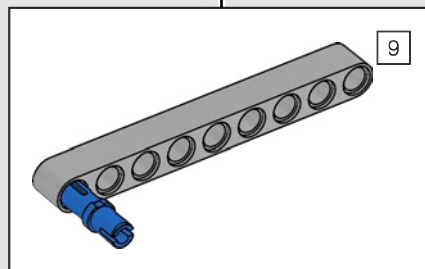
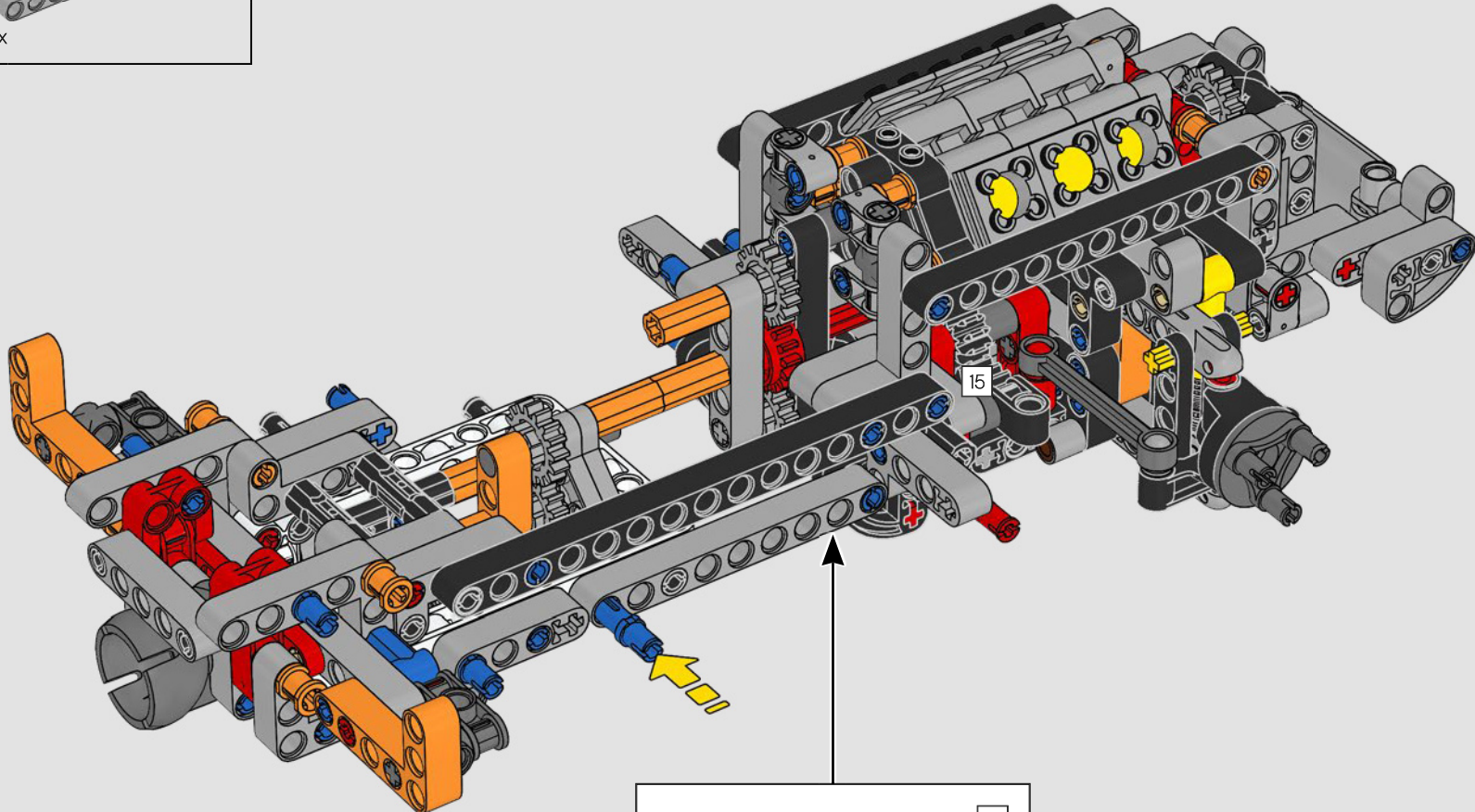


104

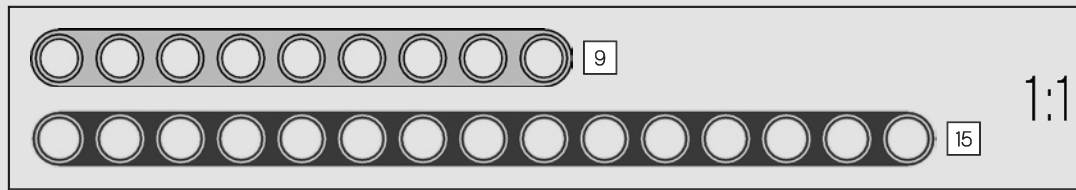
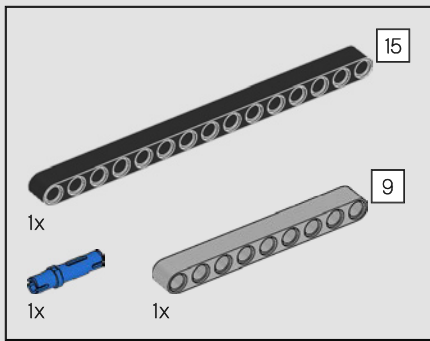




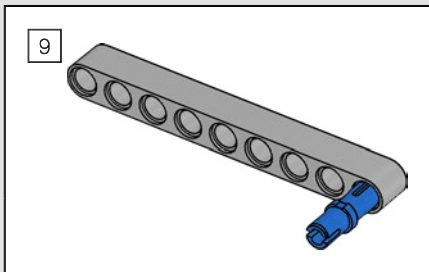
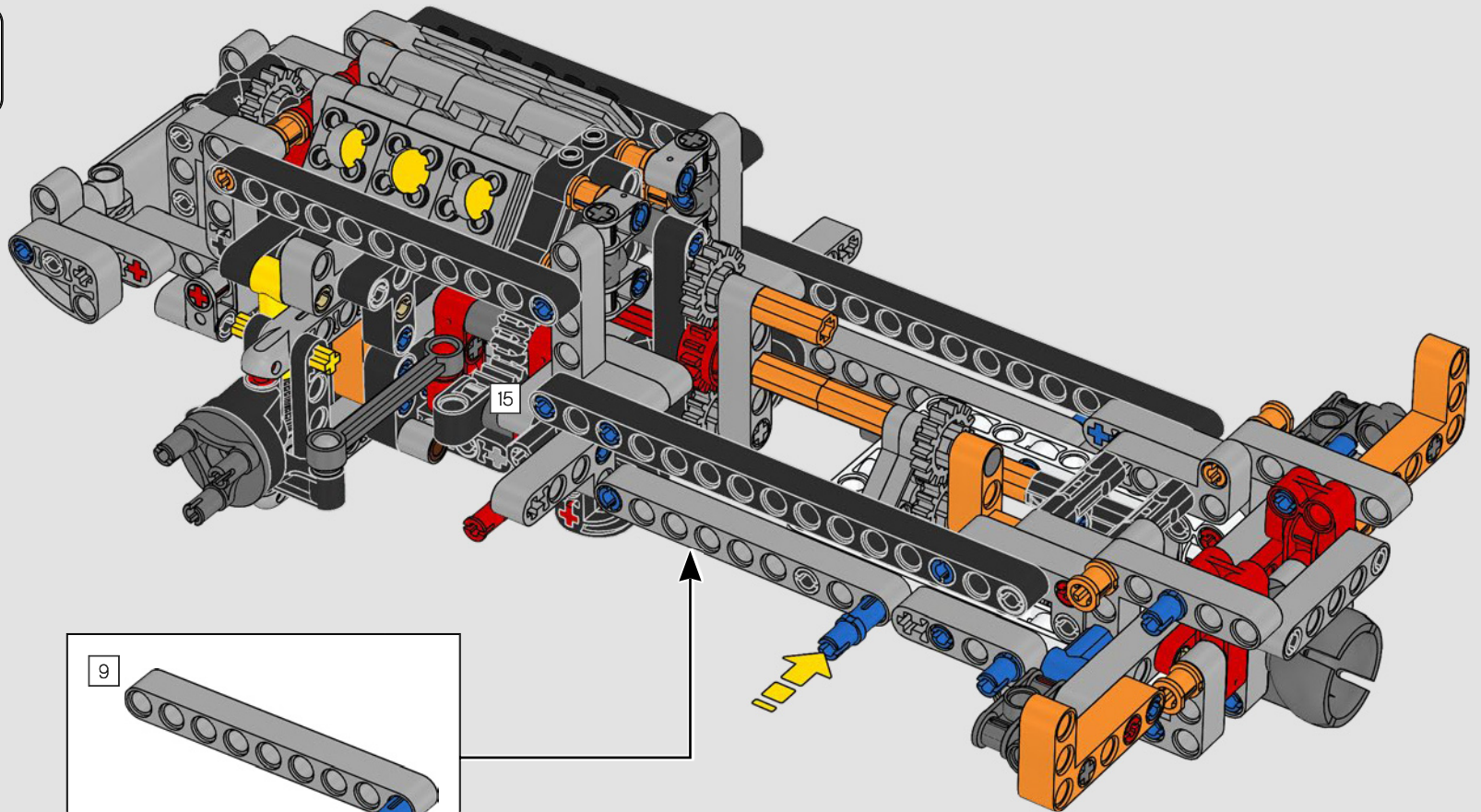
105



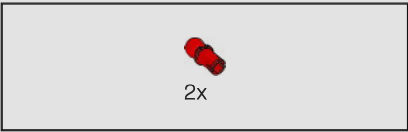
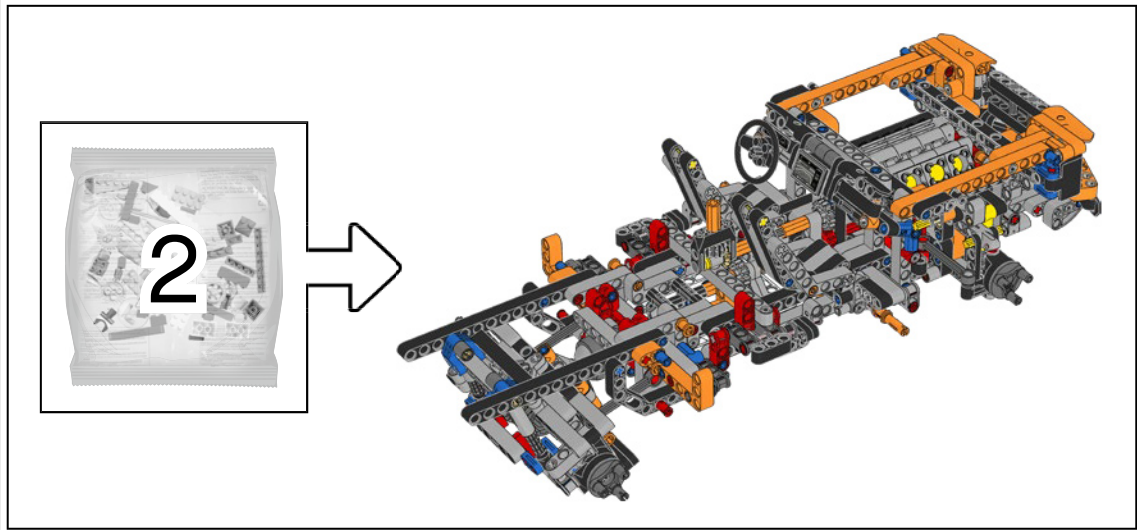




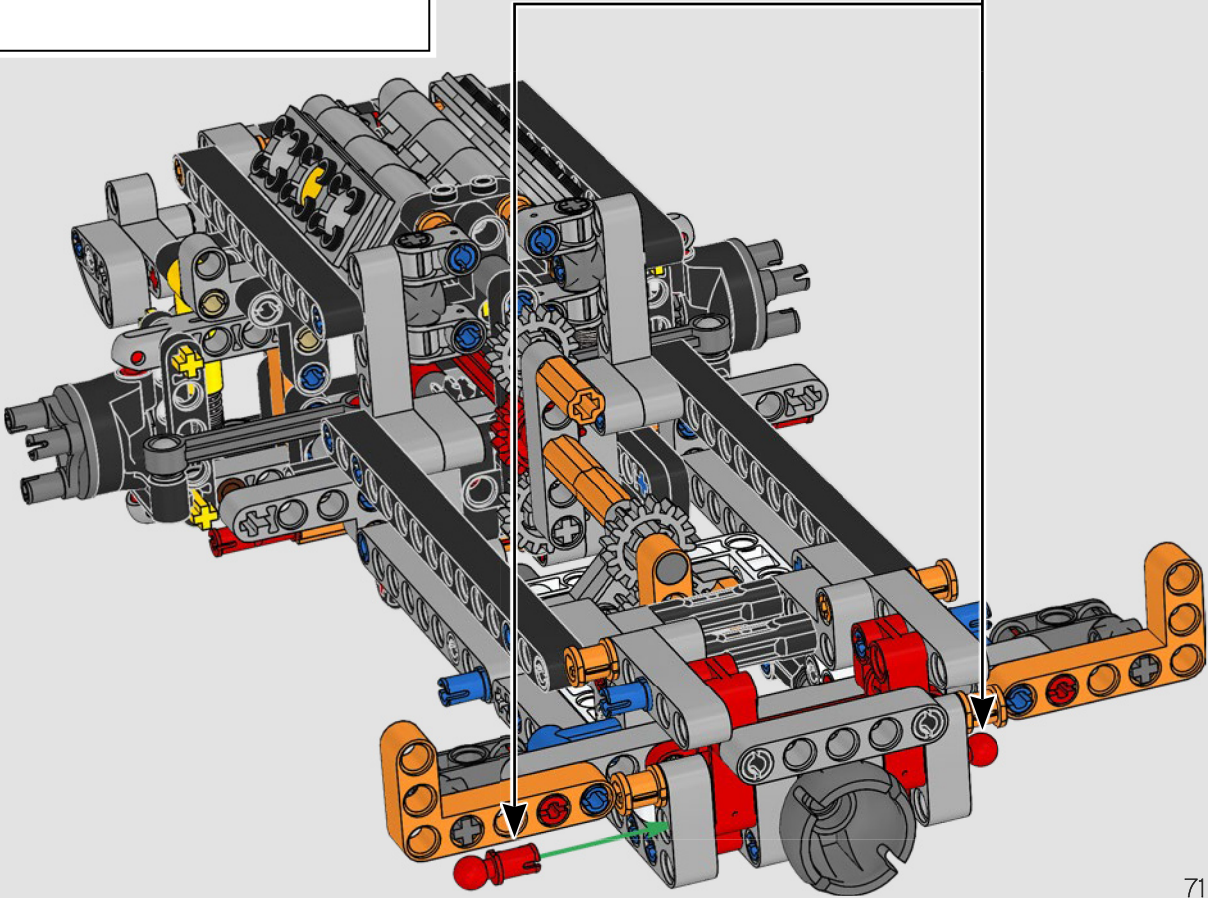
106

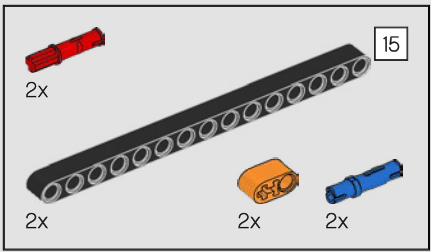




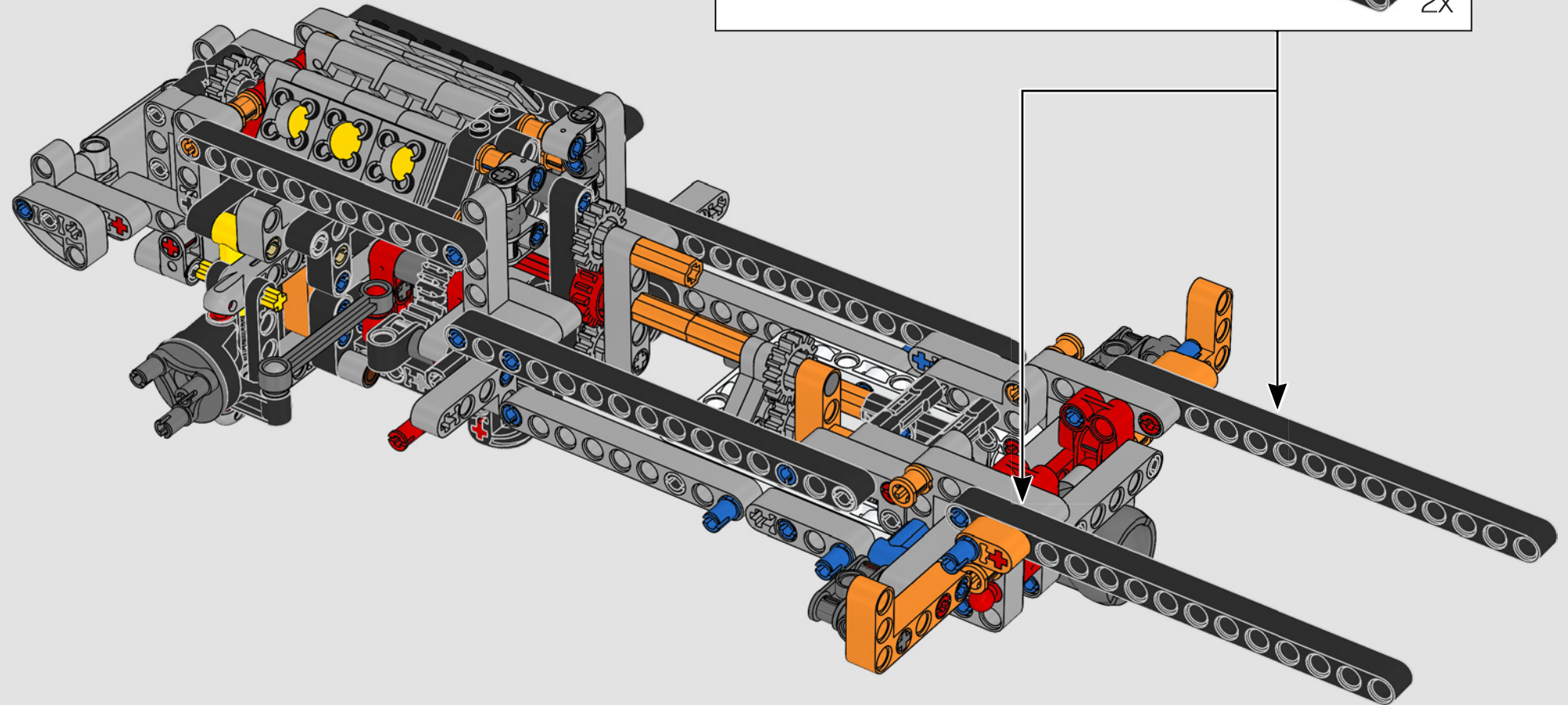
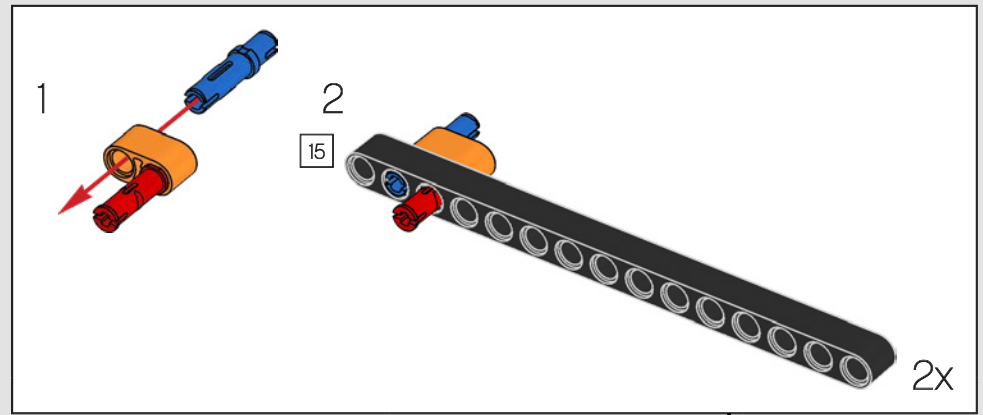


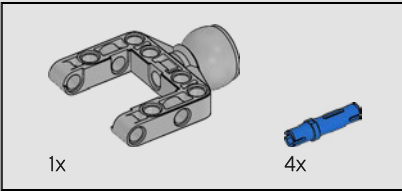
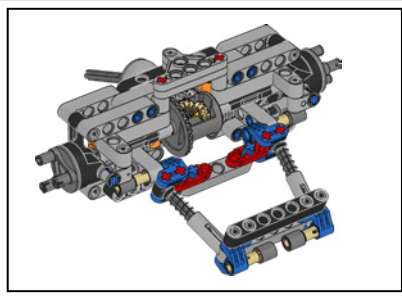
107



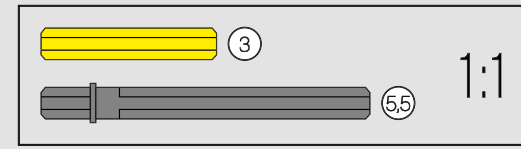
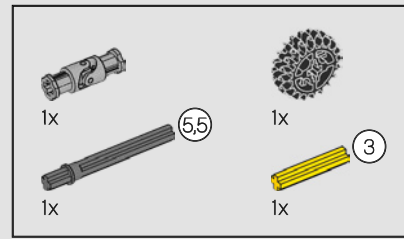
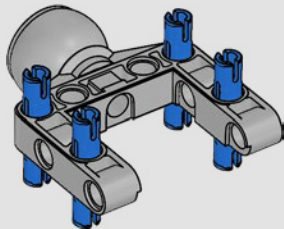


108

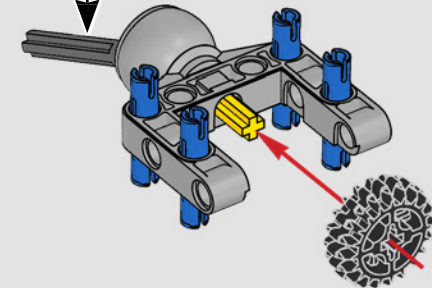
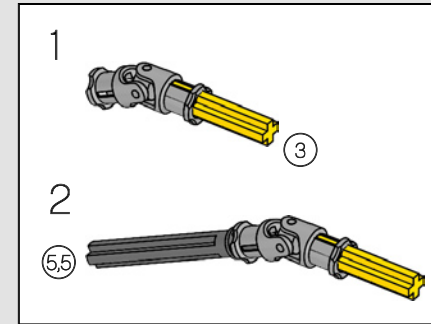


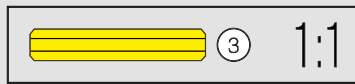
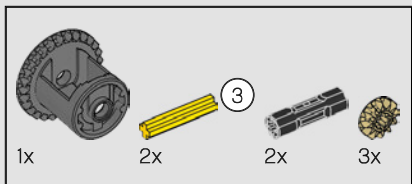


109

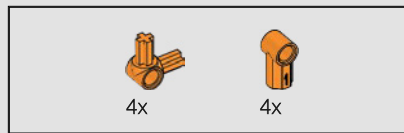
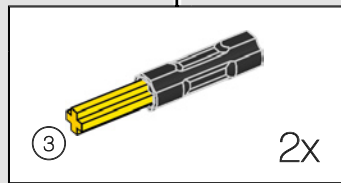
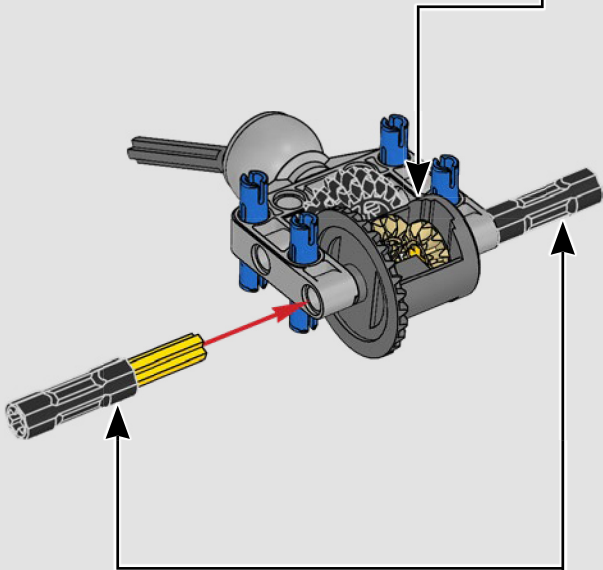
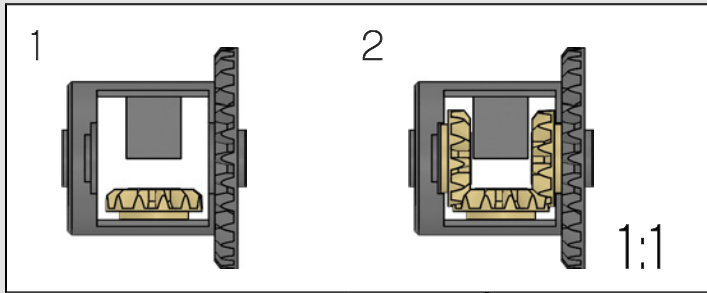


110

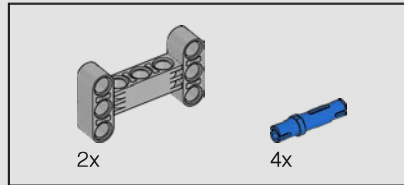
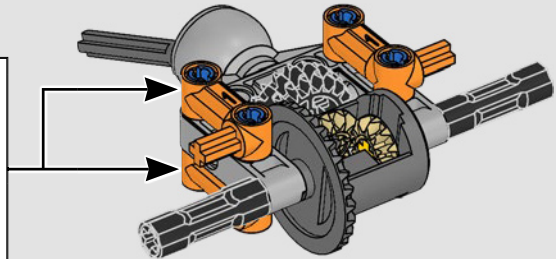
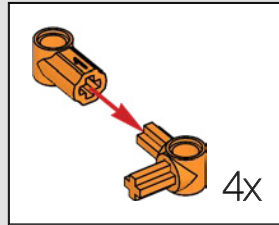




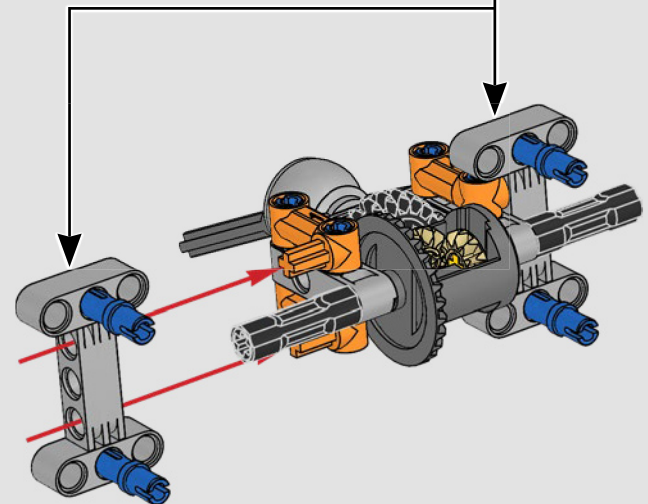
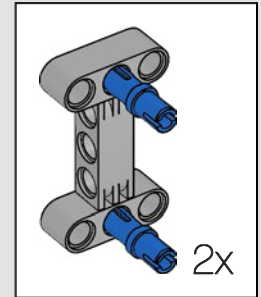
111



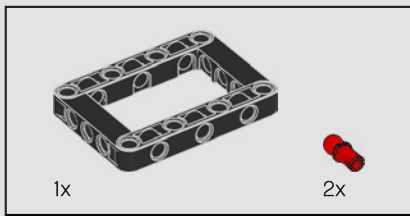
112



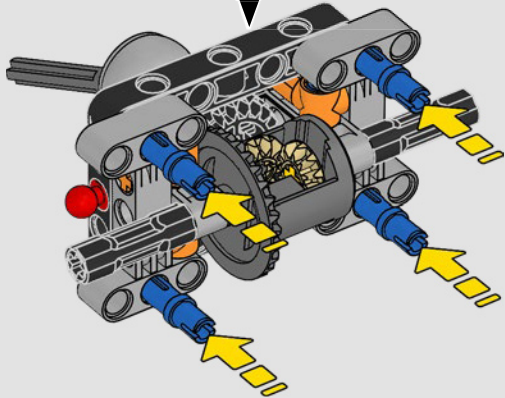
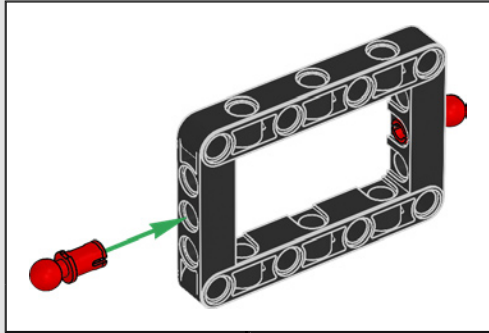
113



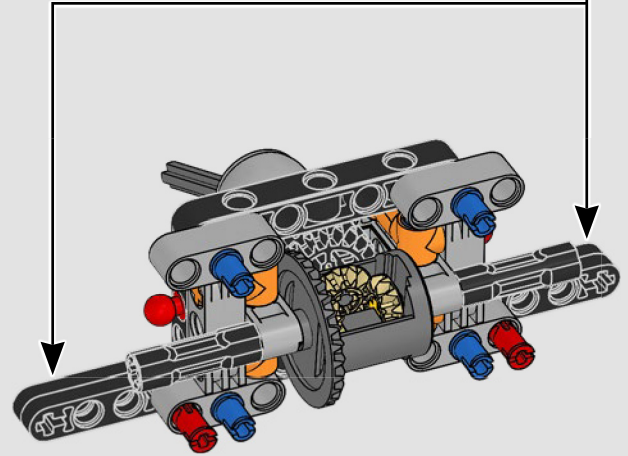
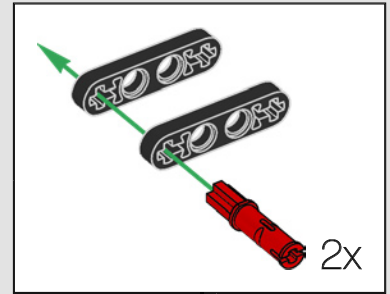


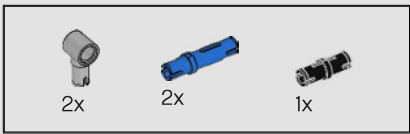


114

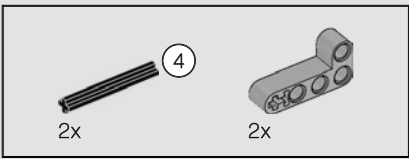
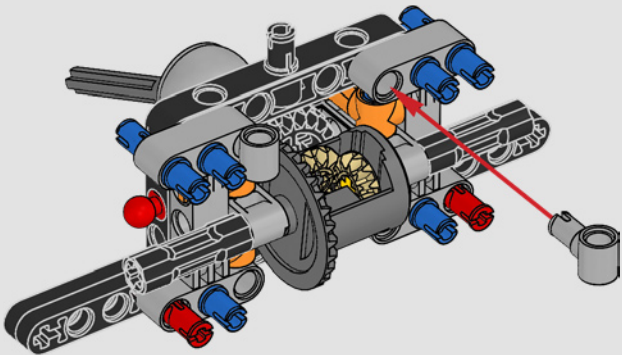


115

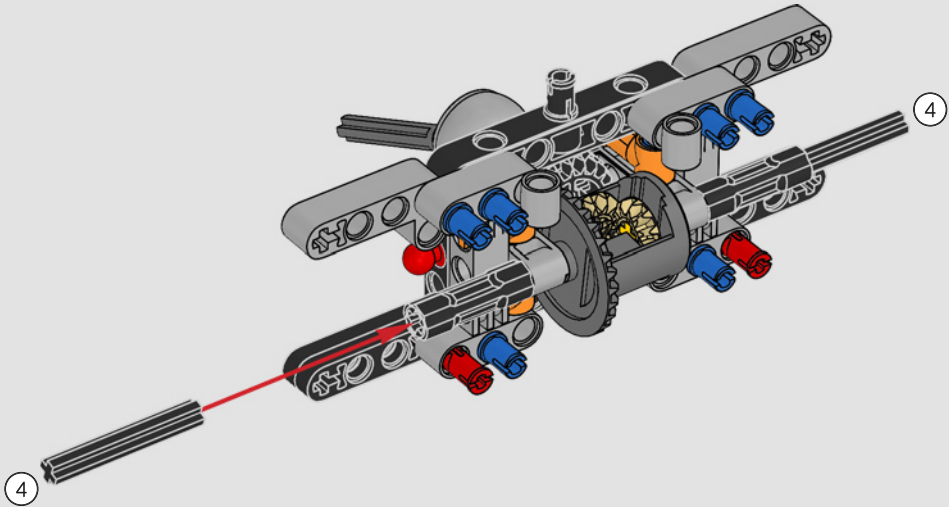
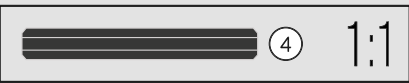


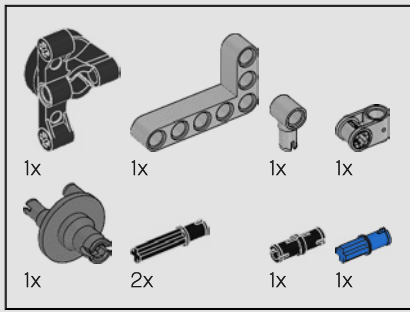


116

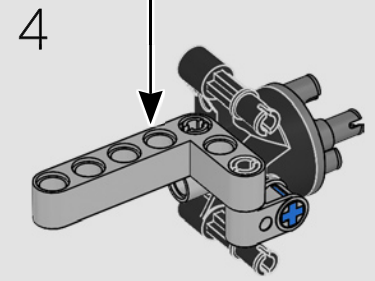
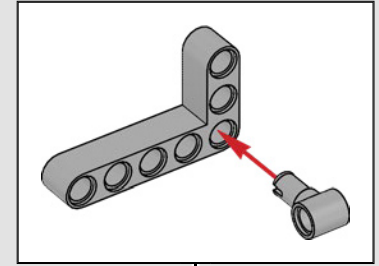
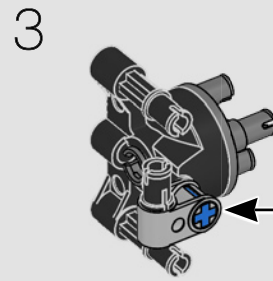
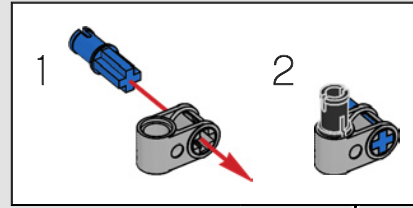
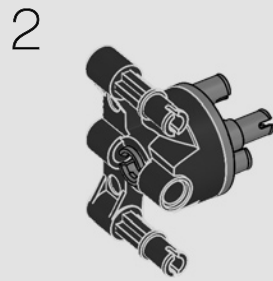
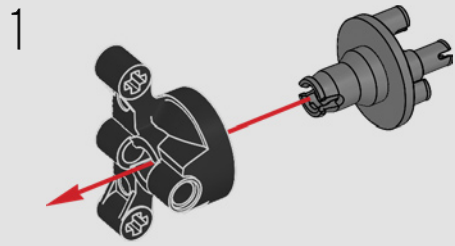


117

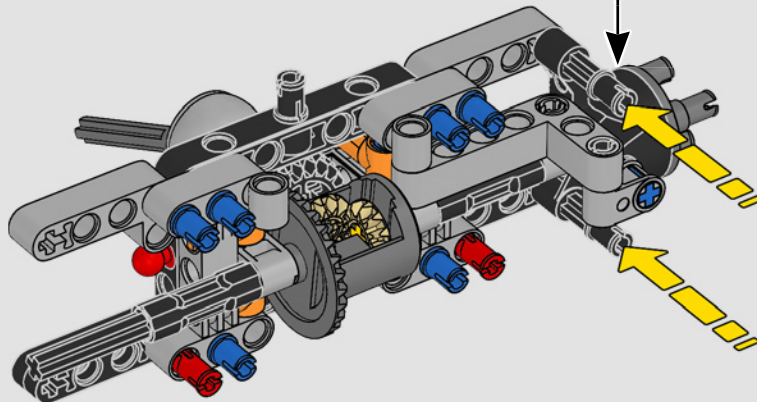


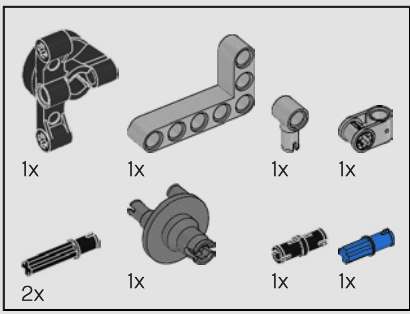


118

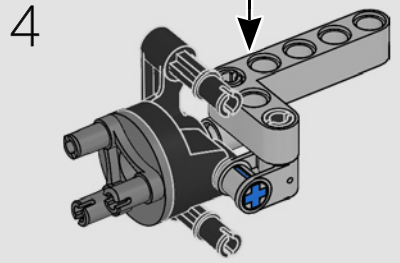
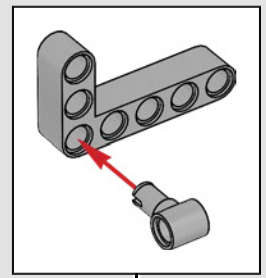
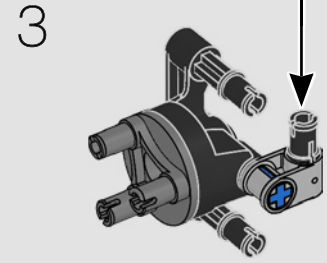
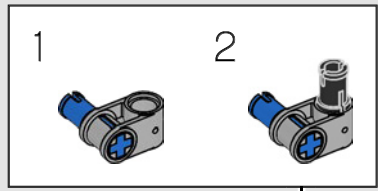
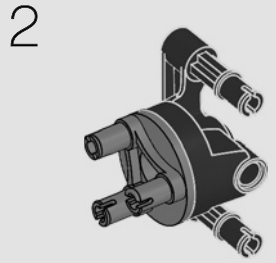
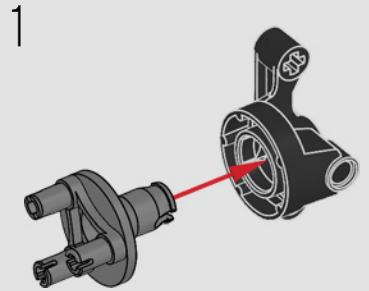


119

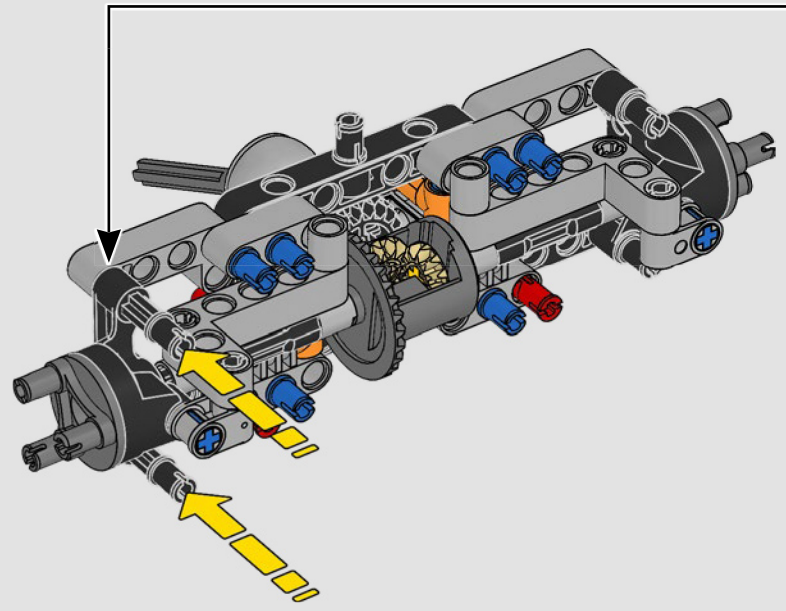




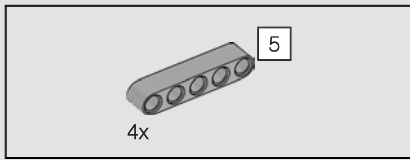
120



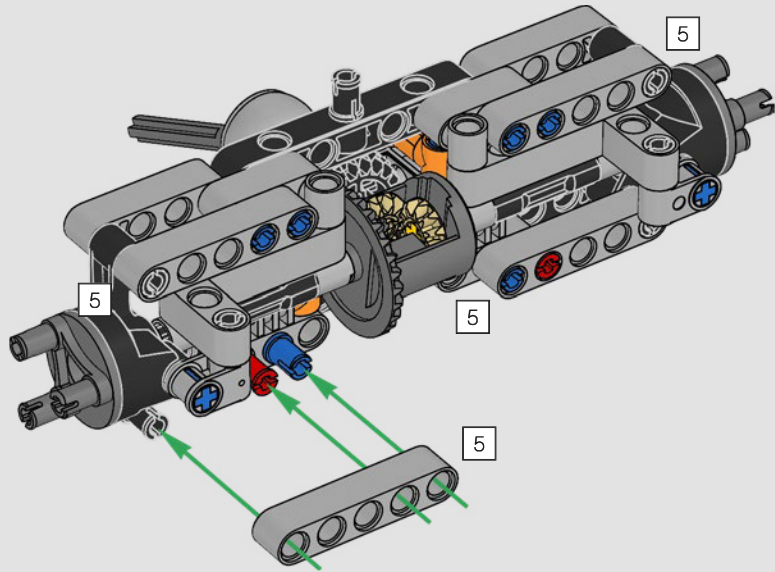
121



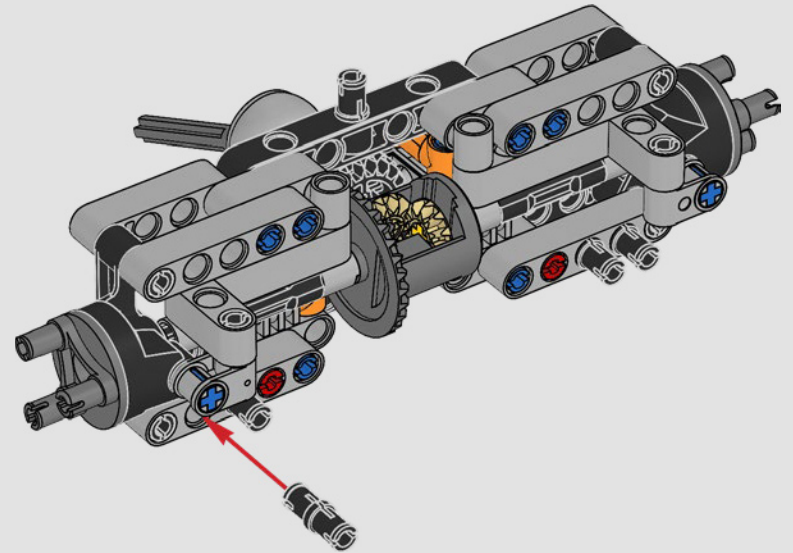


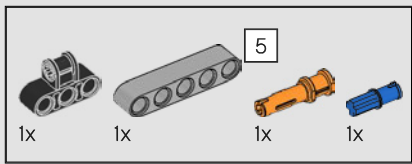


122

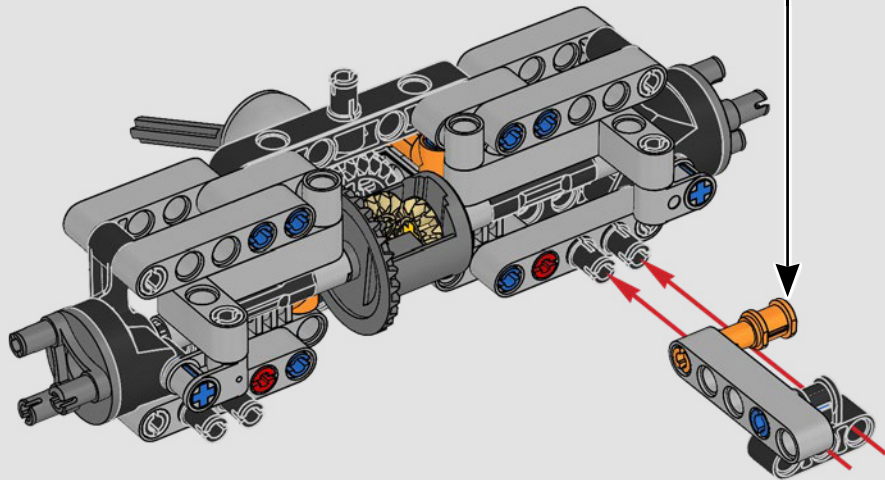
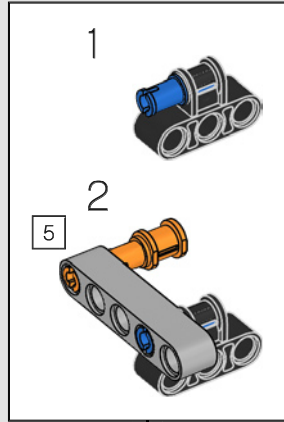


123

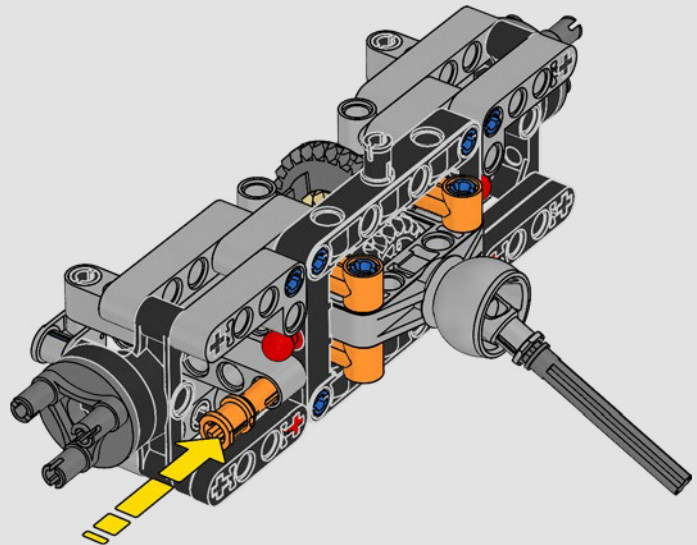
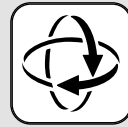


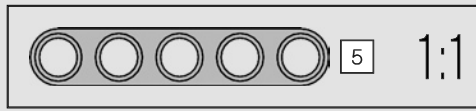
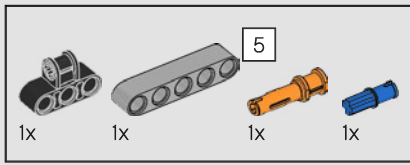


124

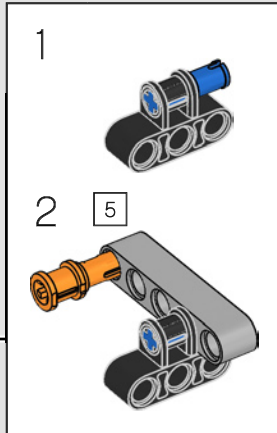
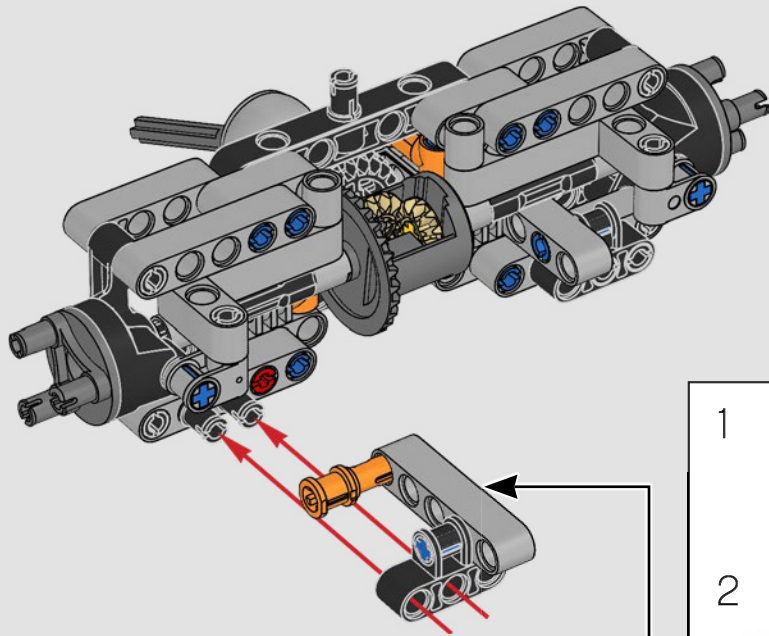


125

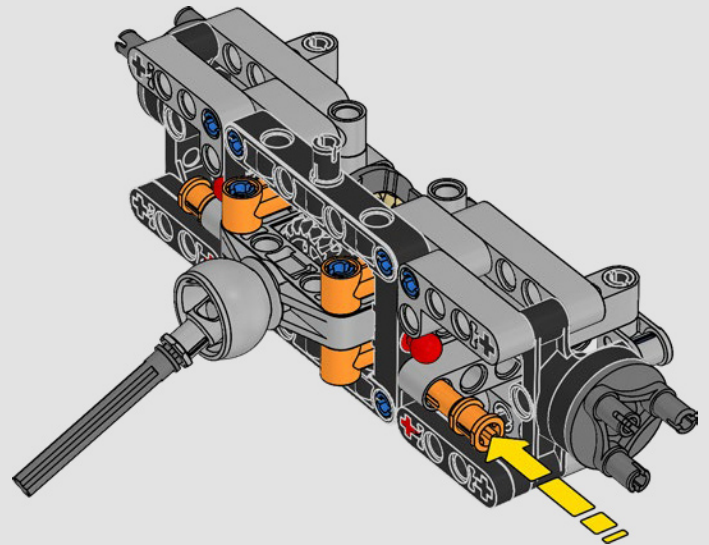
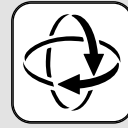


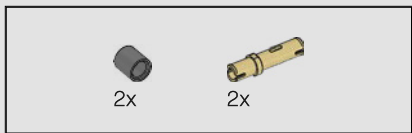


126

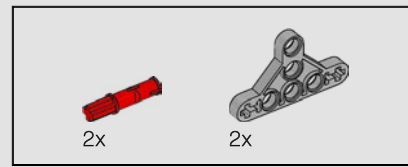
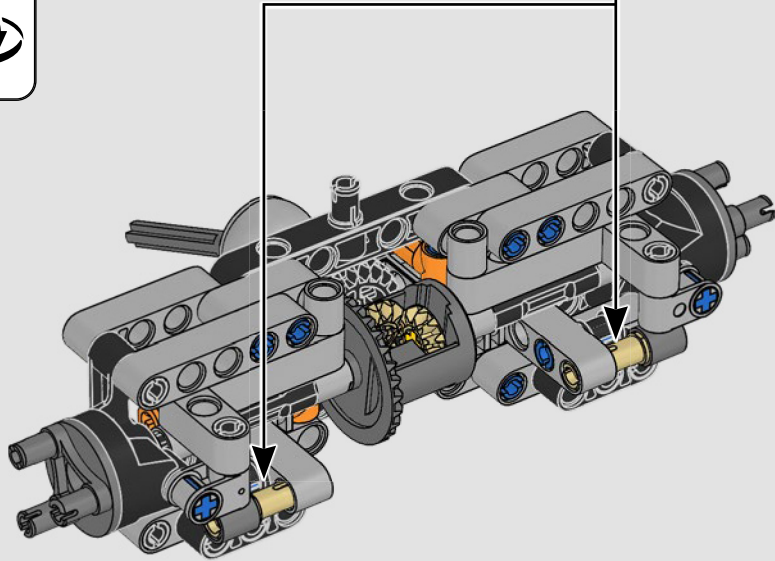
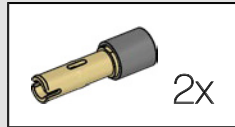


127

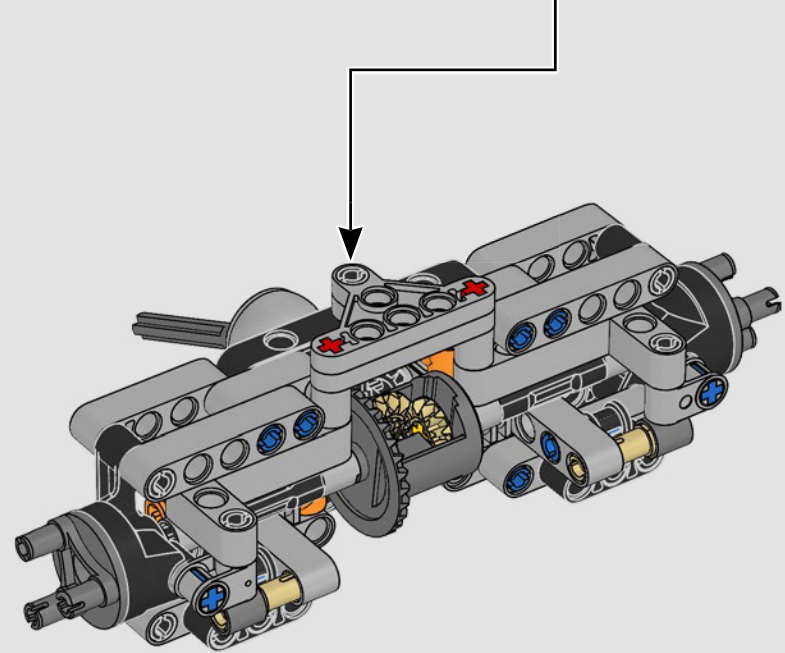
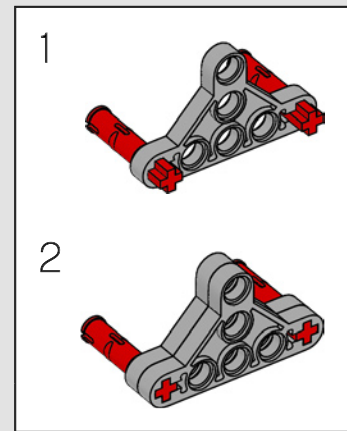




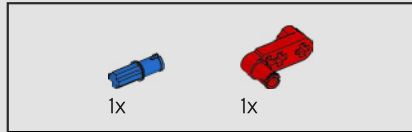
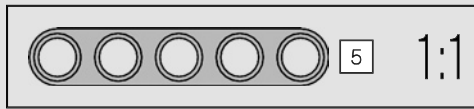
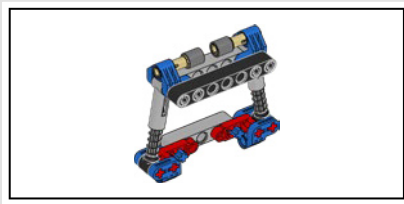
128



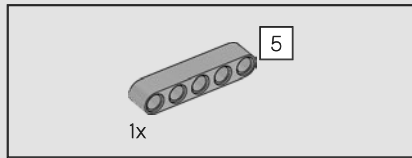
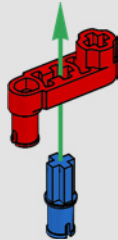
129



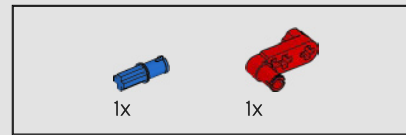
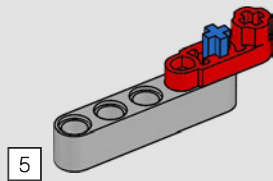




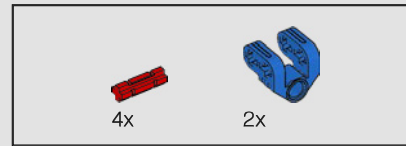
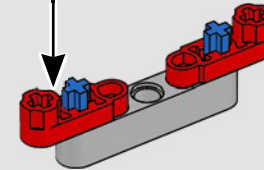
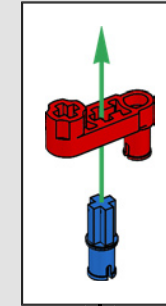
130



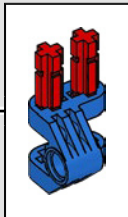
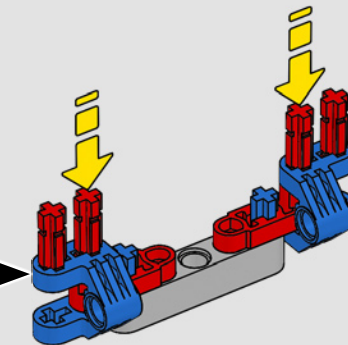
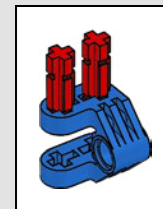
131

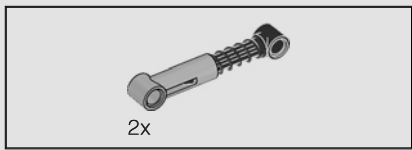


132

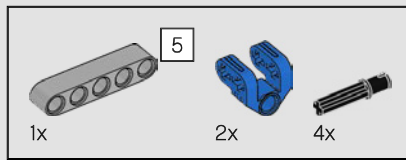
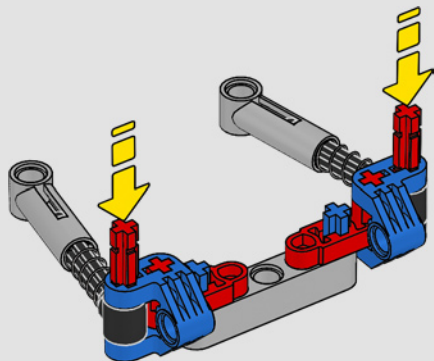


133

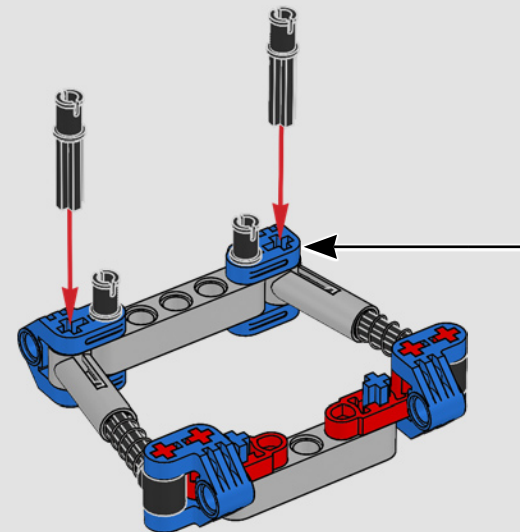
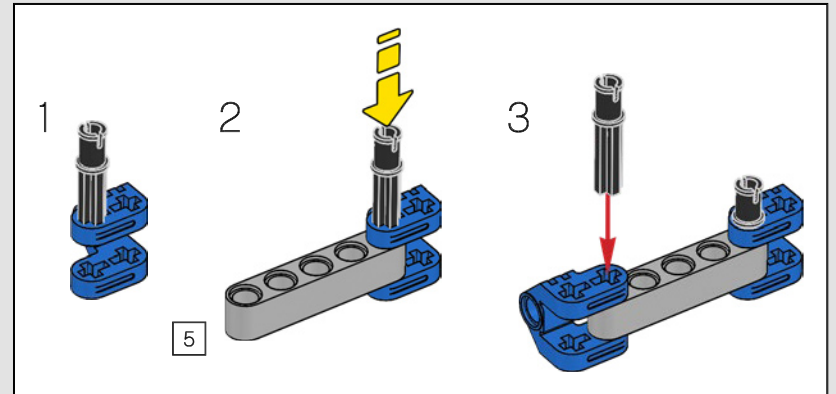
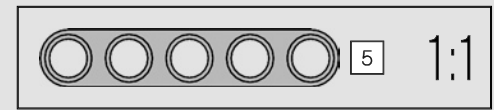


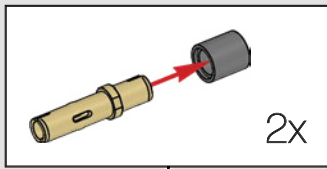
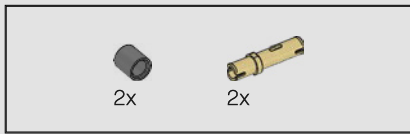


134

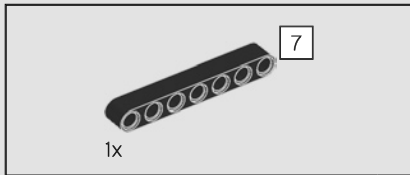
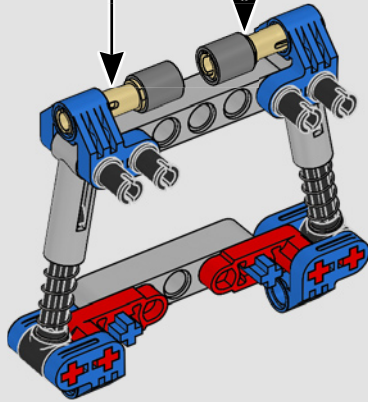


135

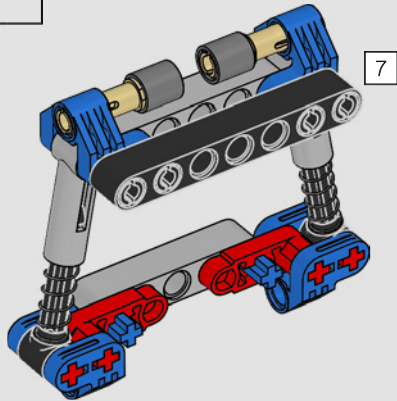




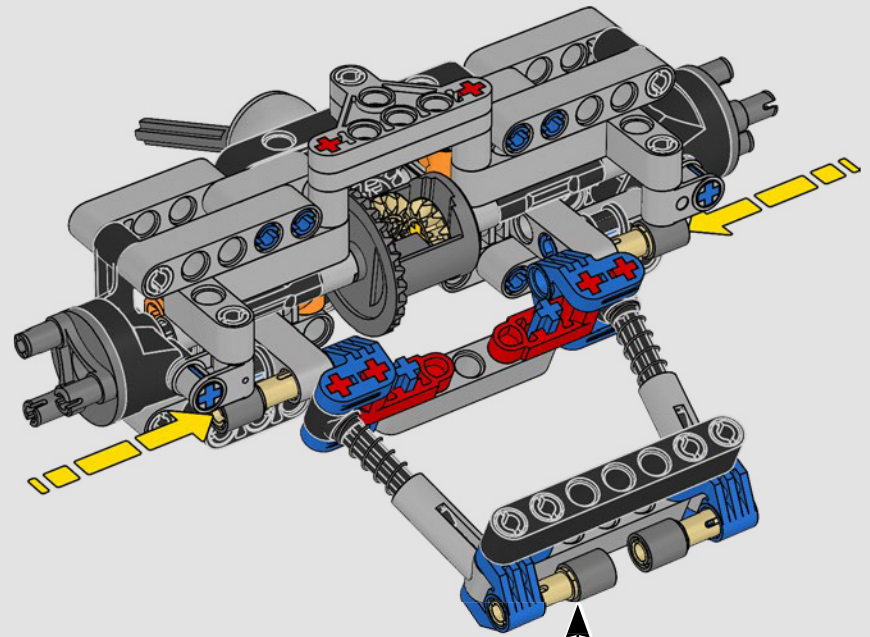
136

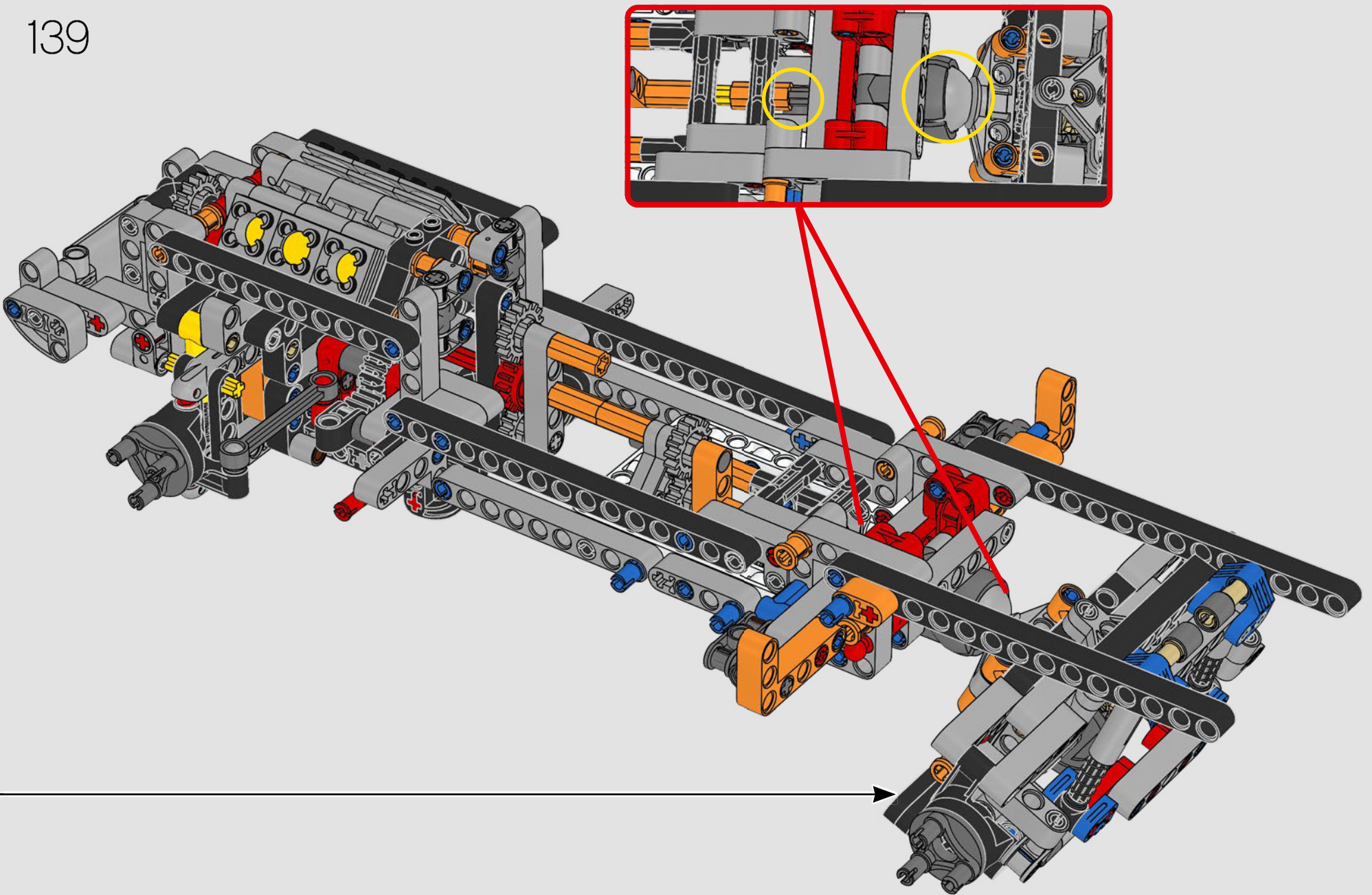


137

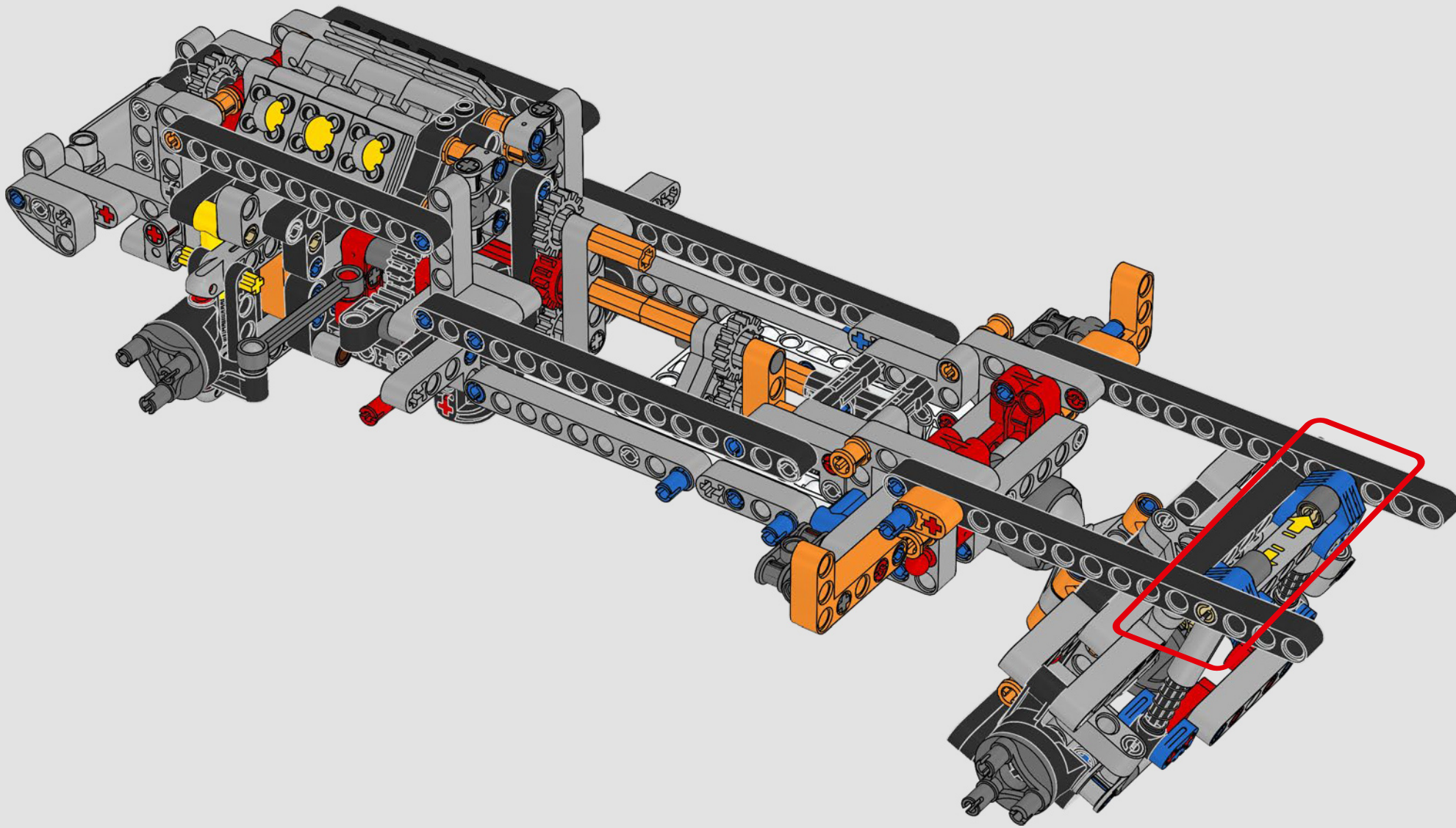


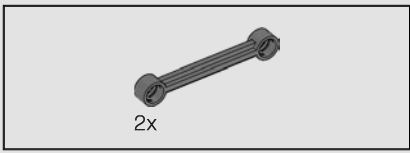
138



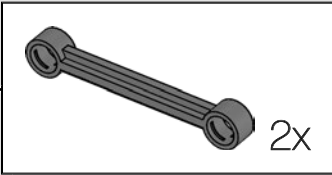
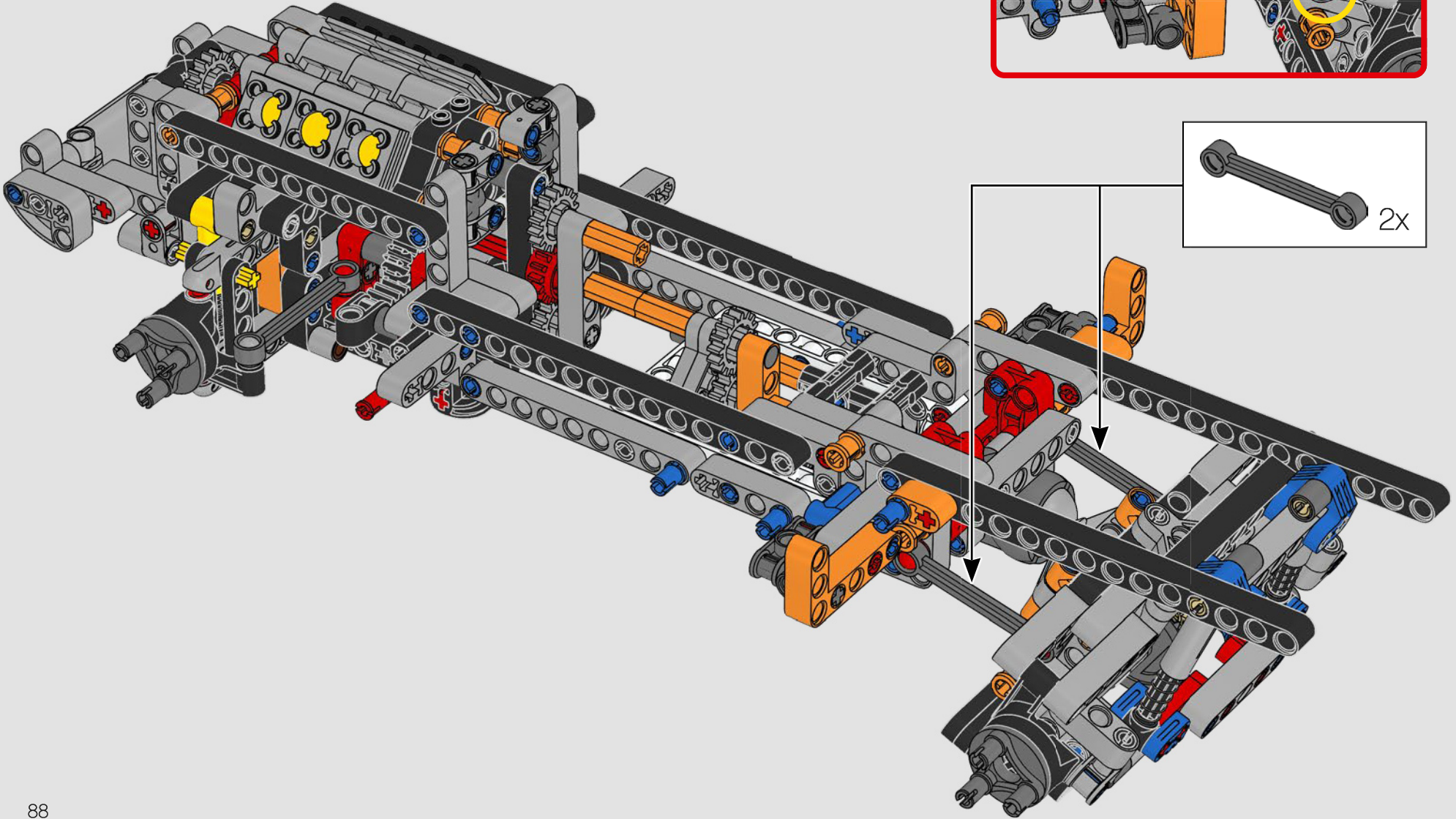
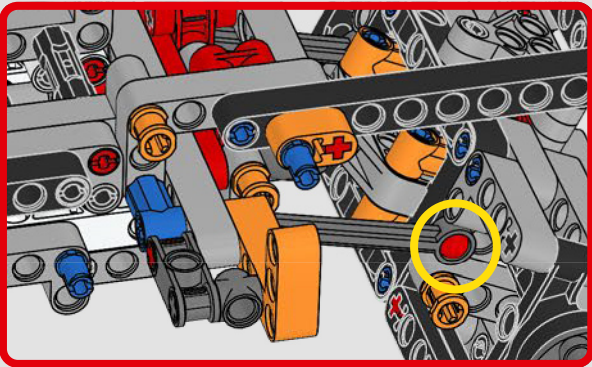


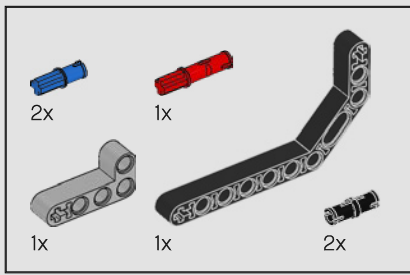






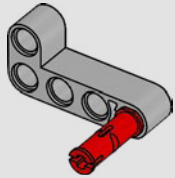
141



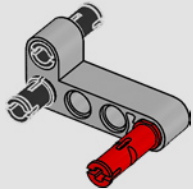


142

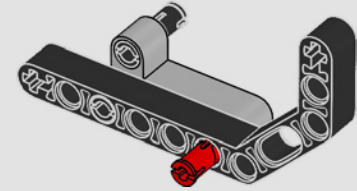
1



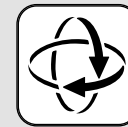
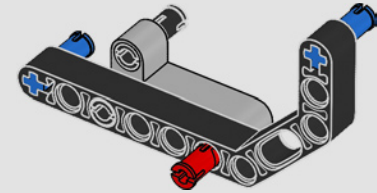
2



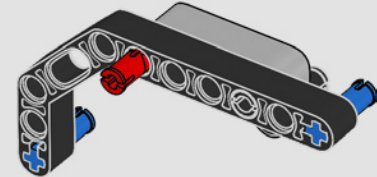
3



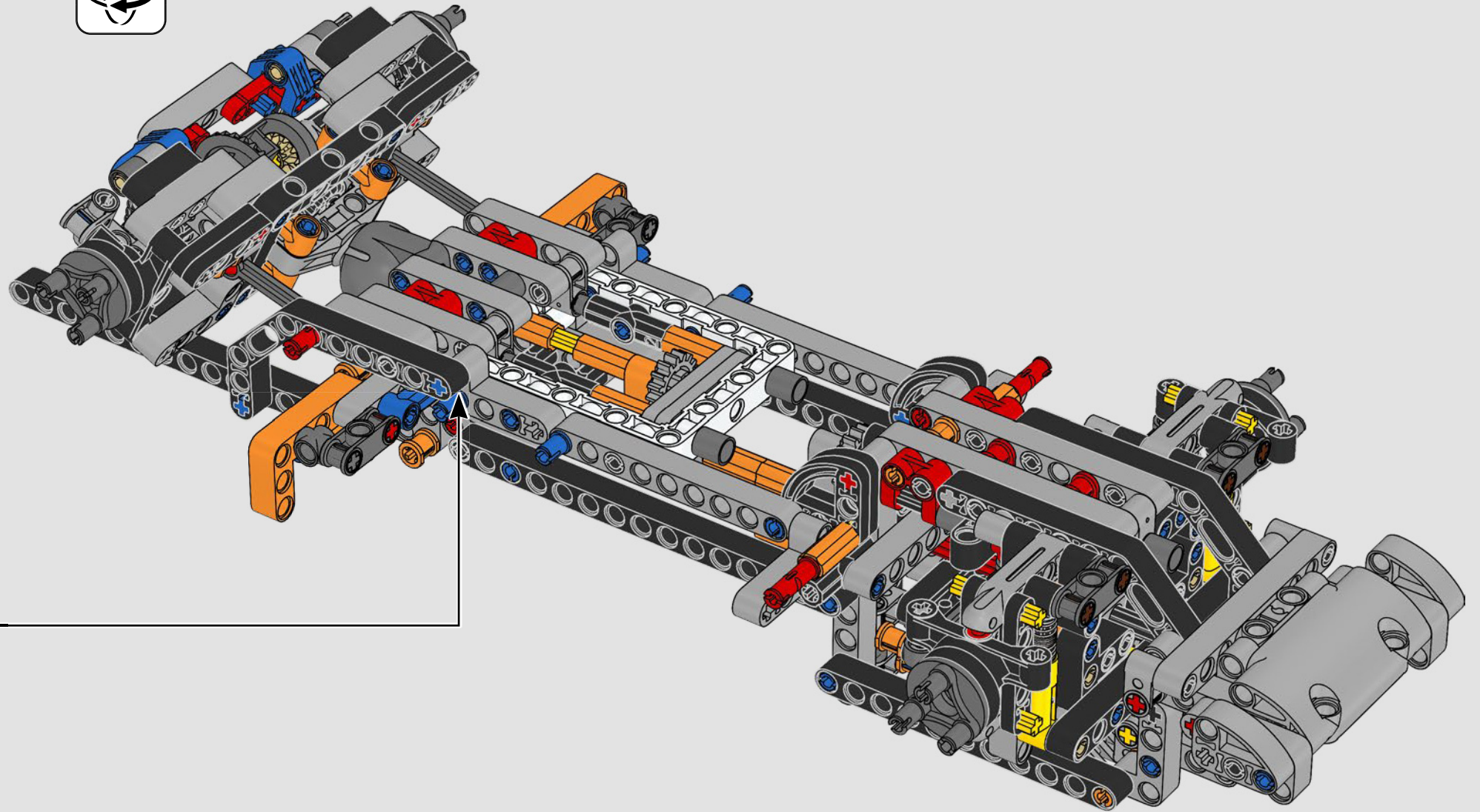
4



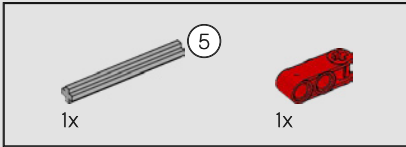
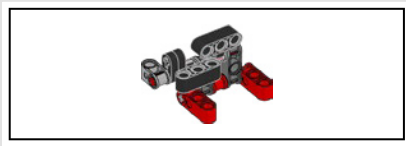
5



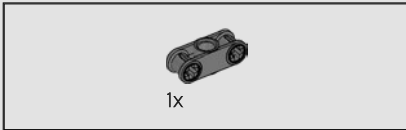
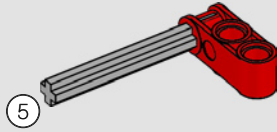




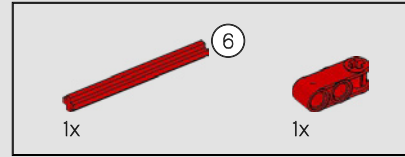
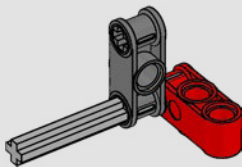




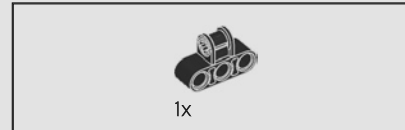
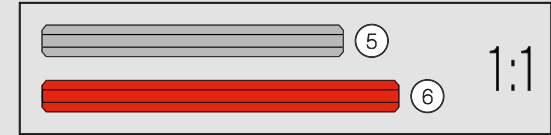
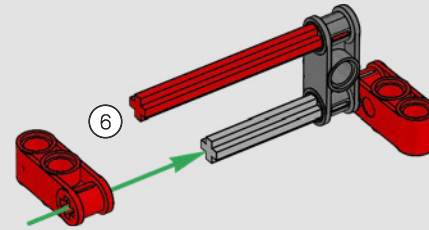
143



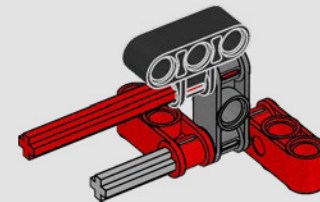
144

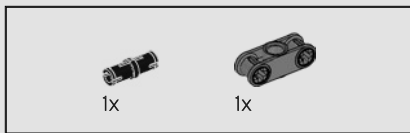


145

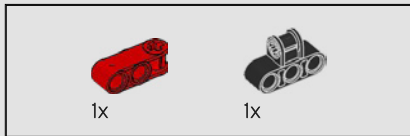
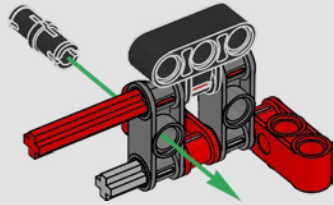


146

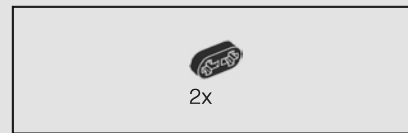
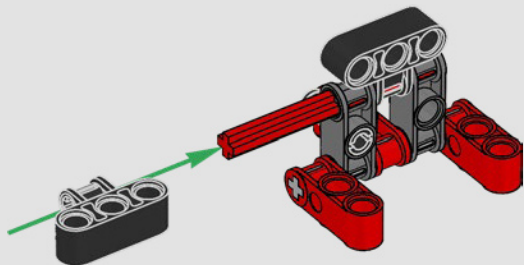




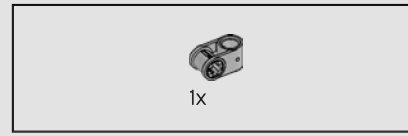
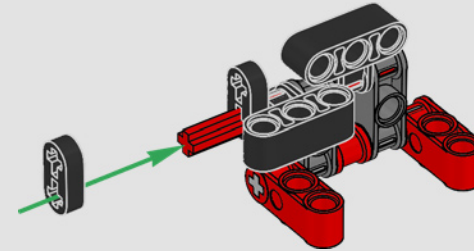
147



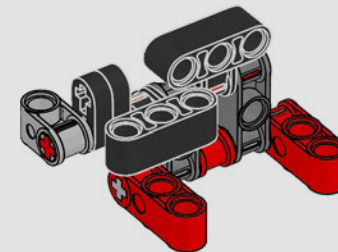
148

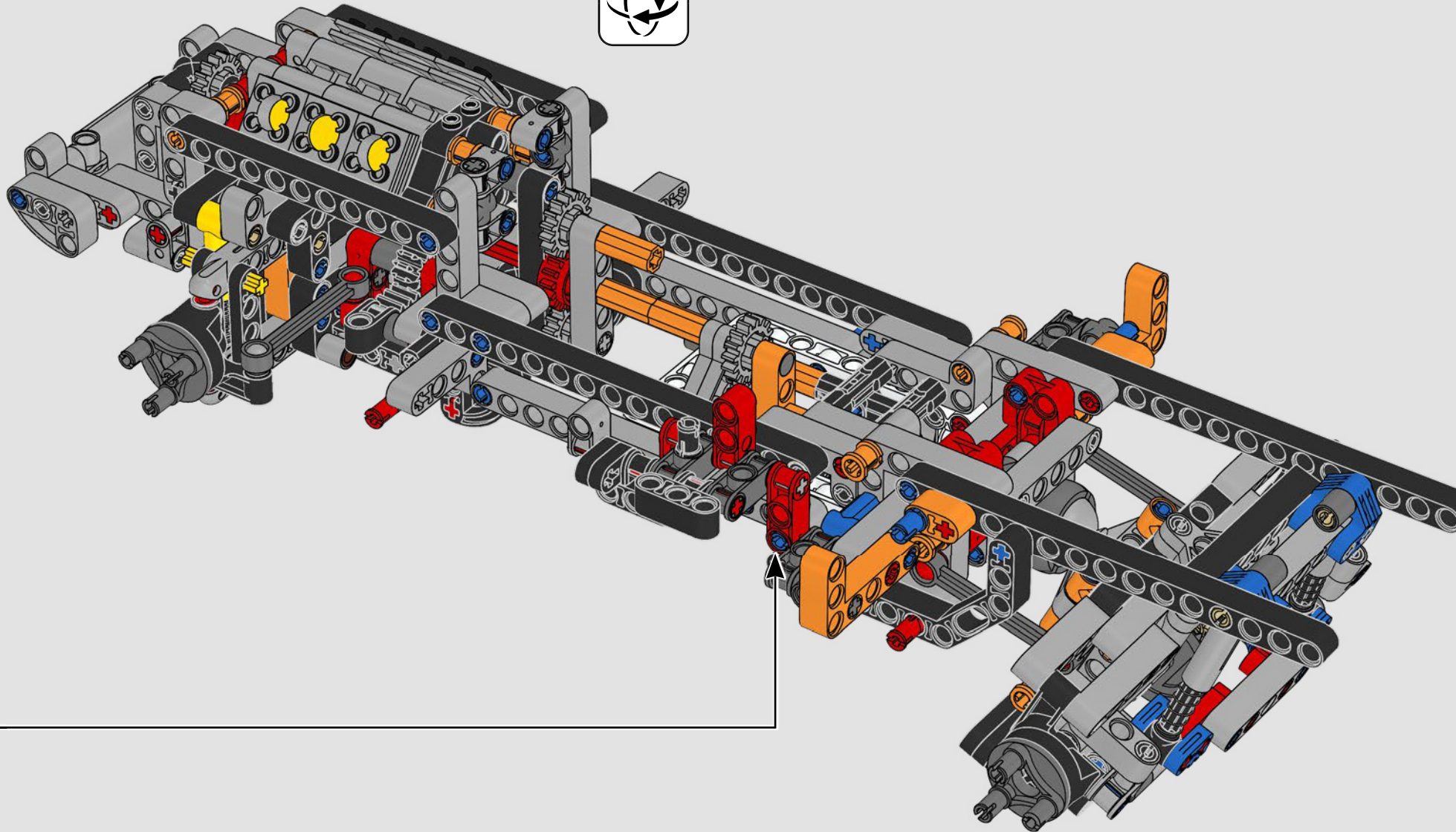


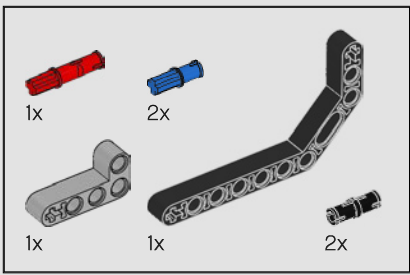
149



150

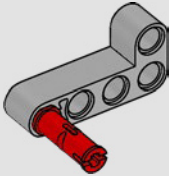




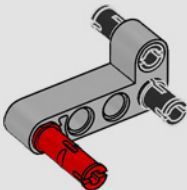


152

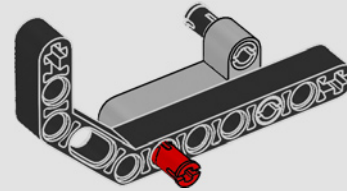
1



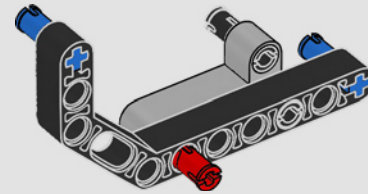
2



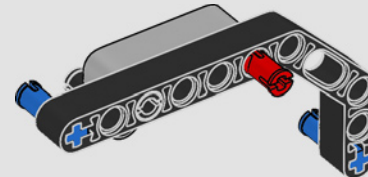
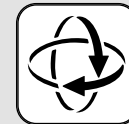
3



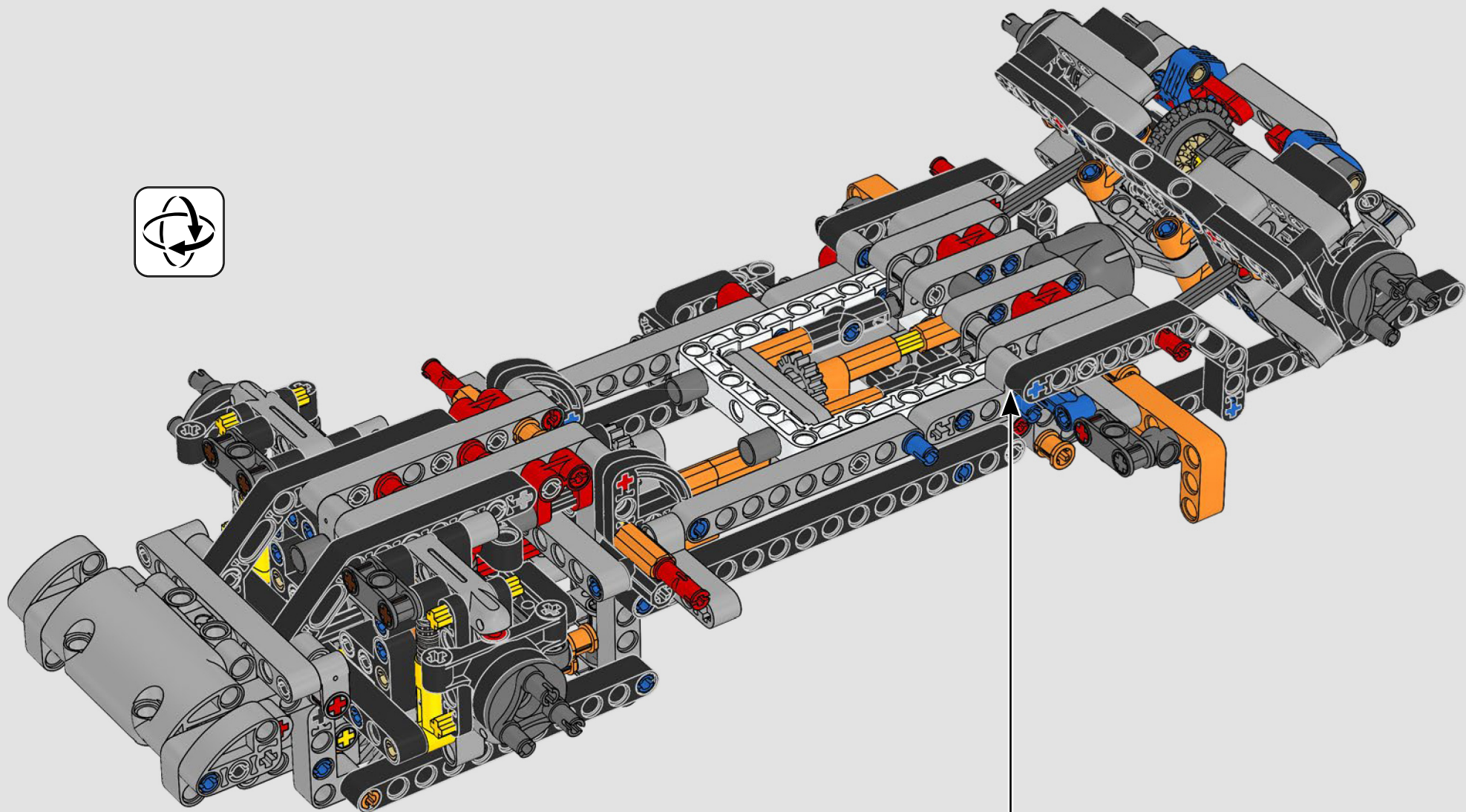
4

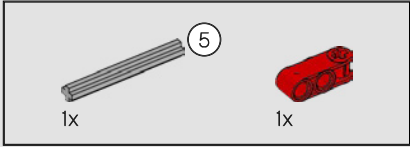


5

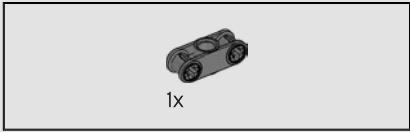
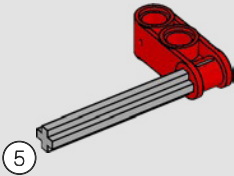




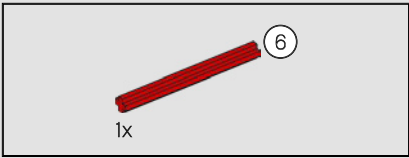
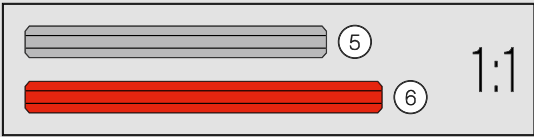
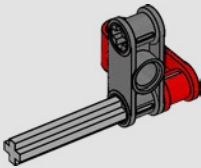




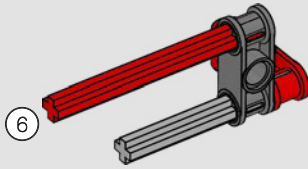
153



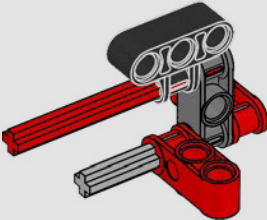
154

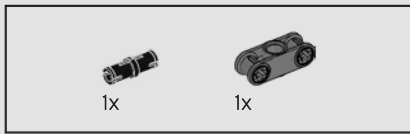


155

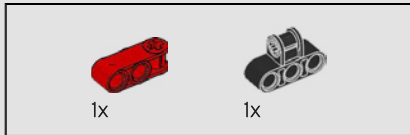
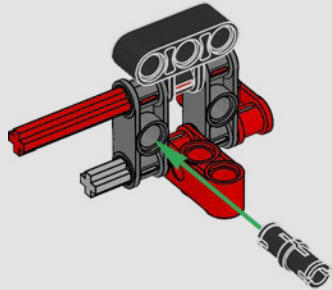


156

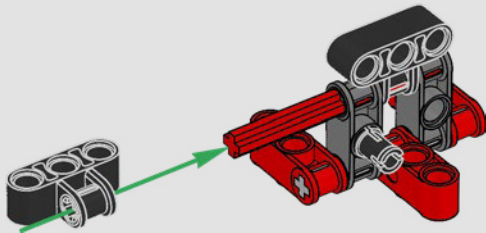




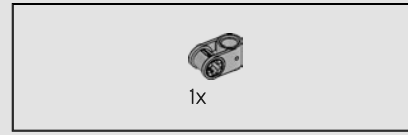
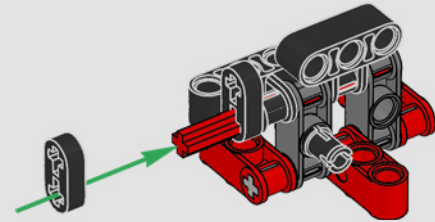
157



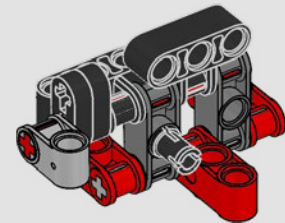
158



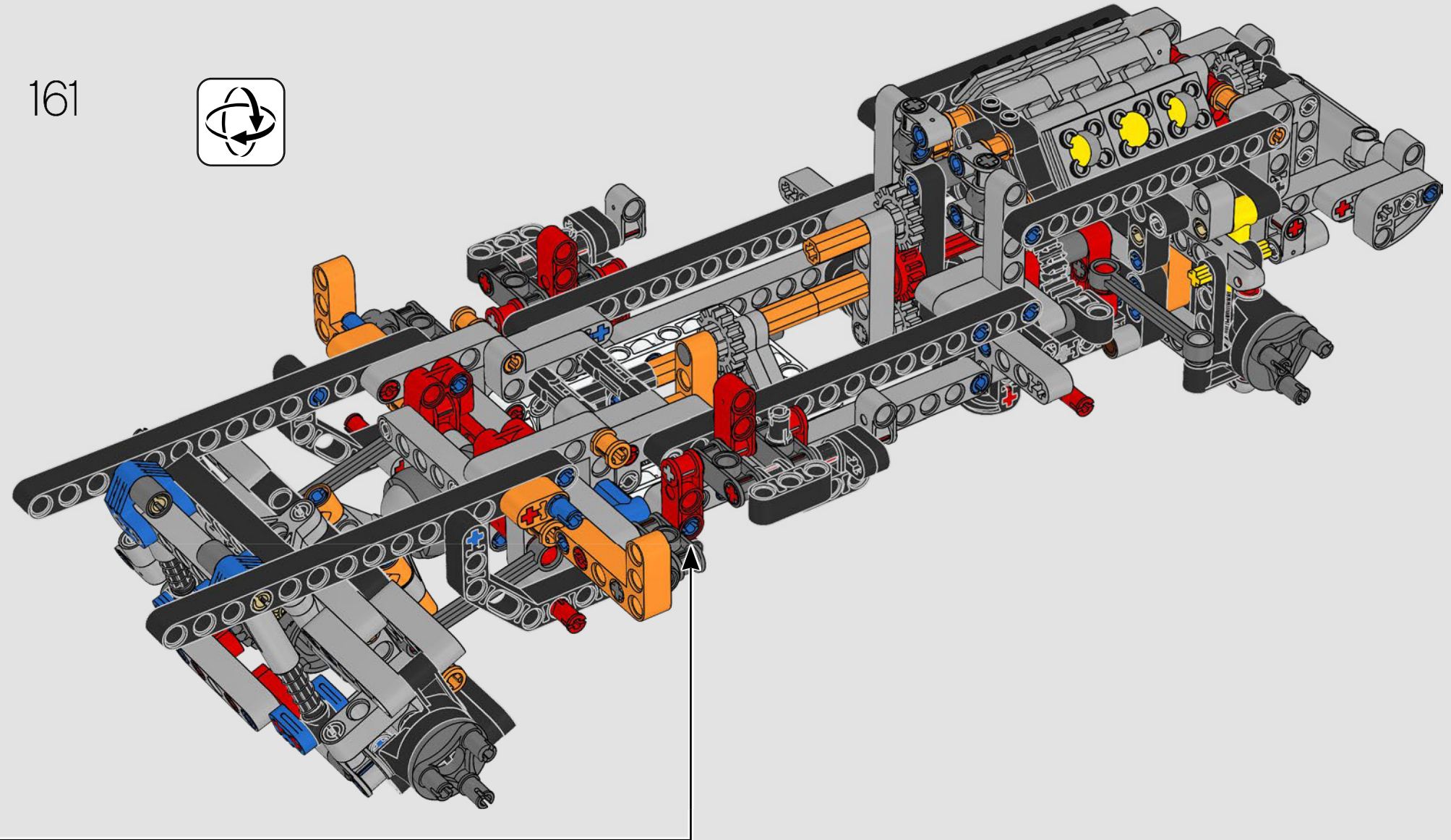
159



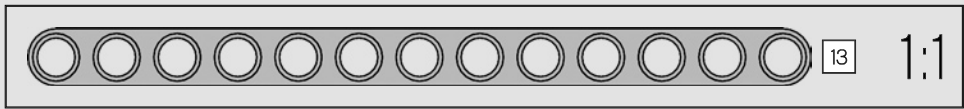
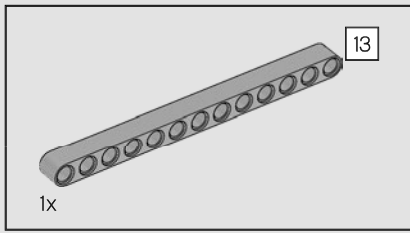
160



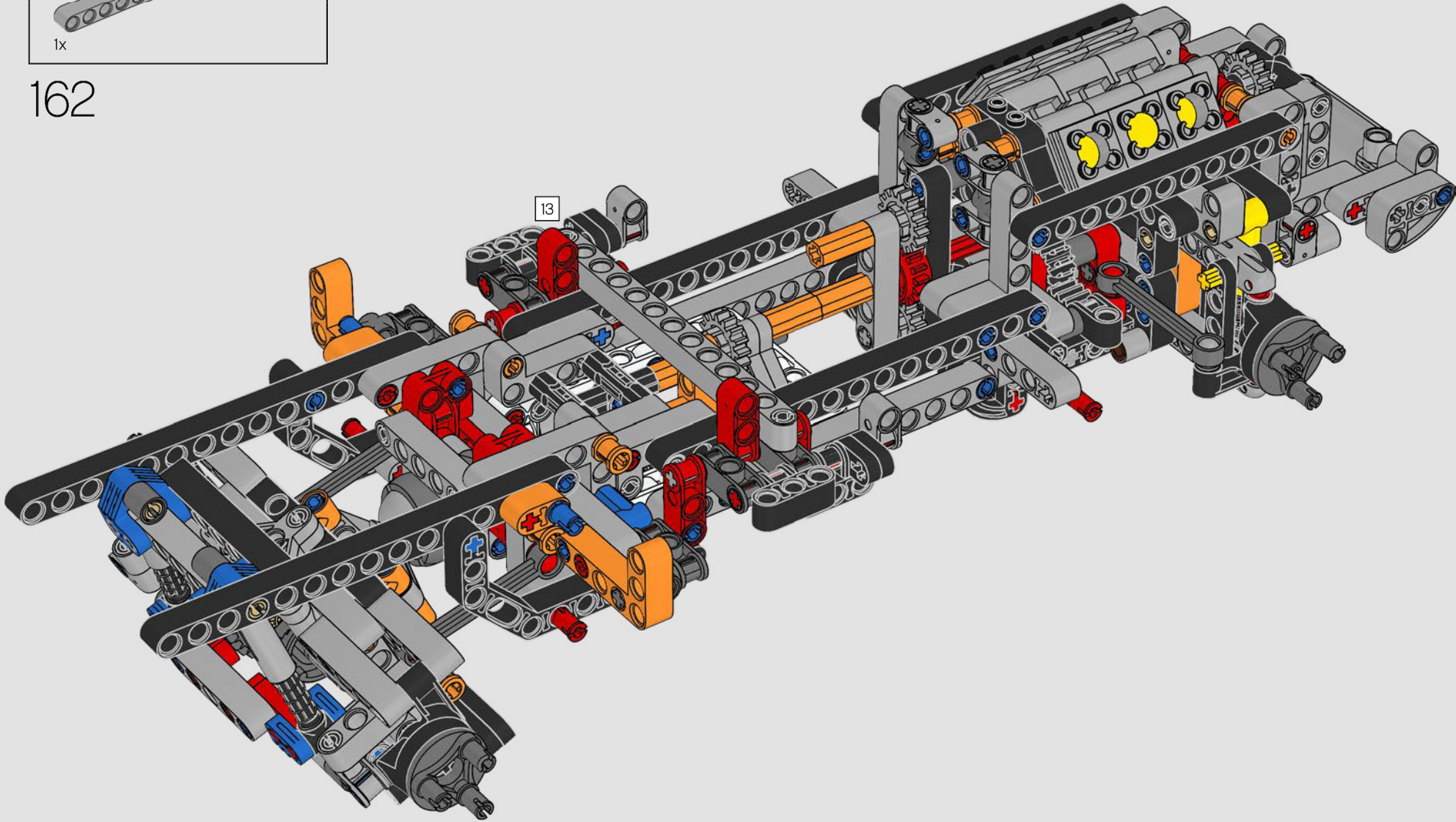
161

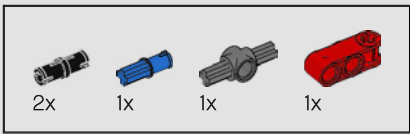




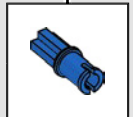
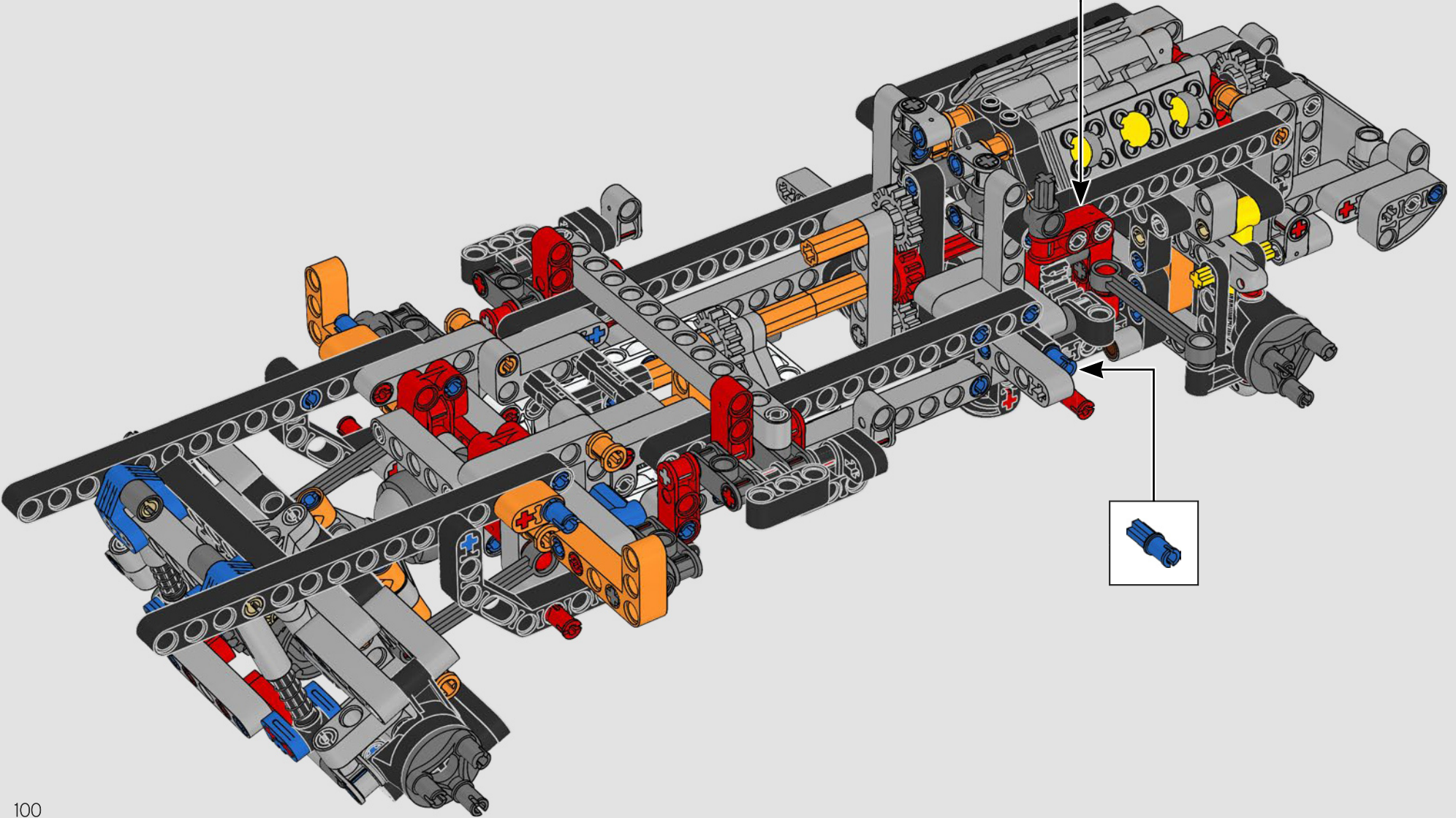
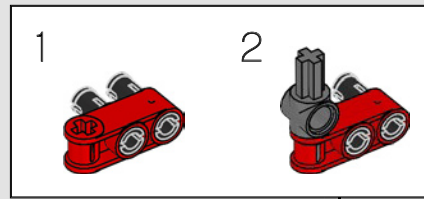


162

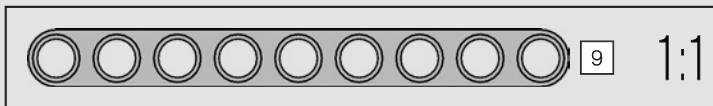
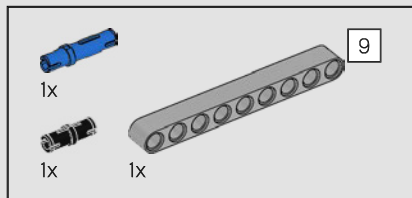




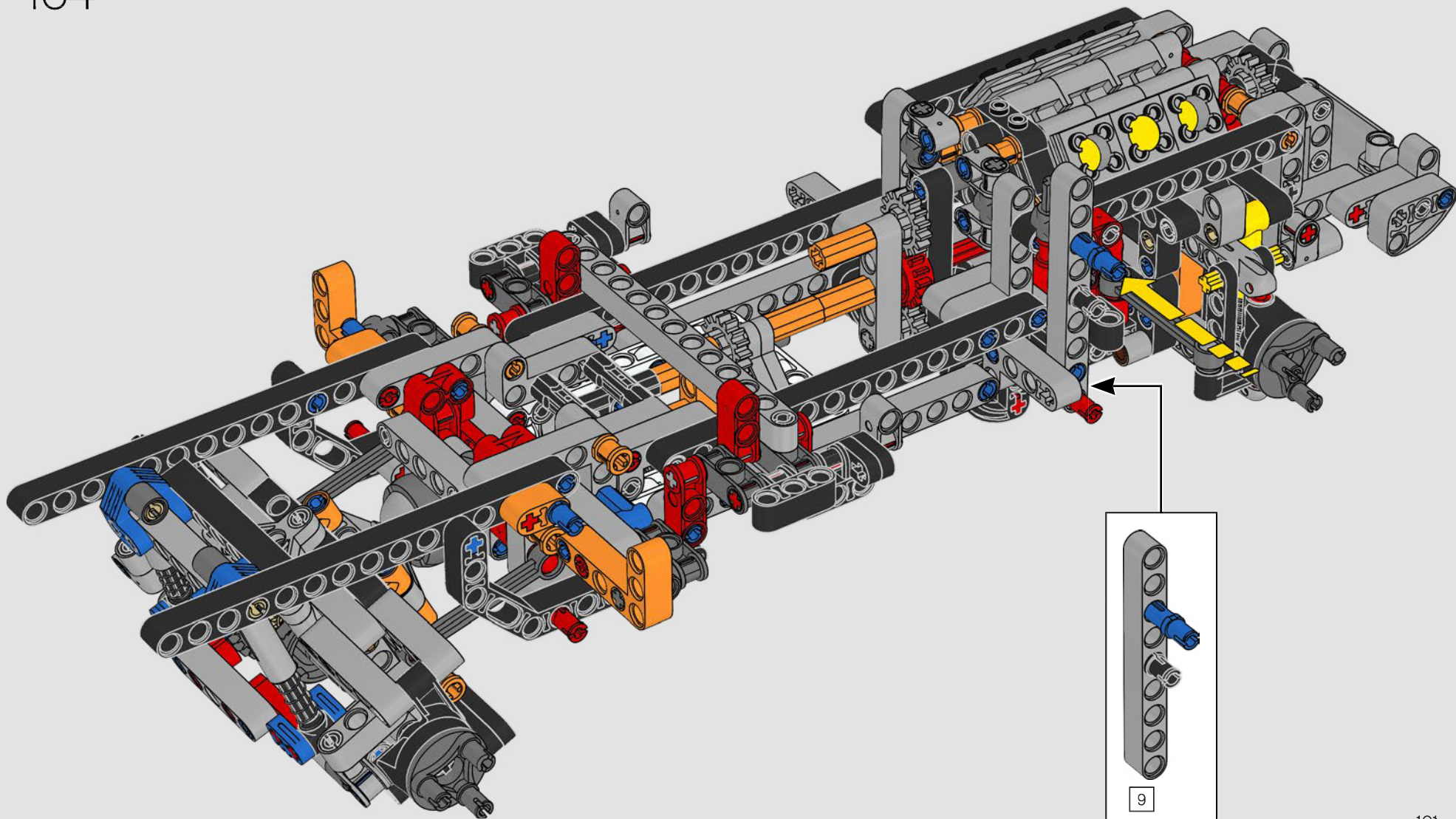
163

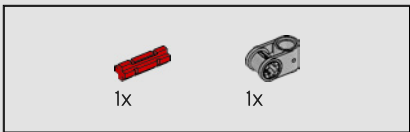




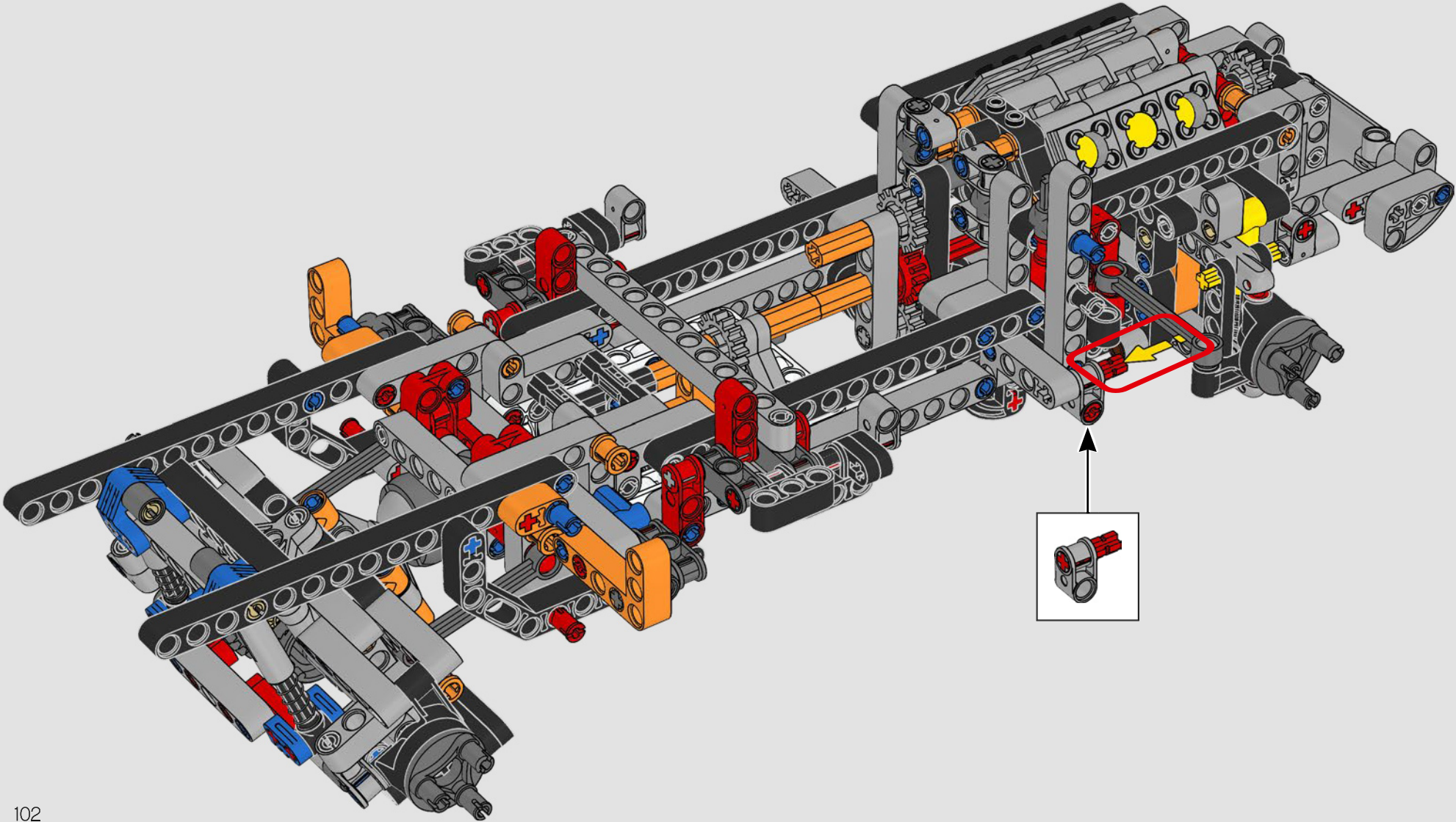


164

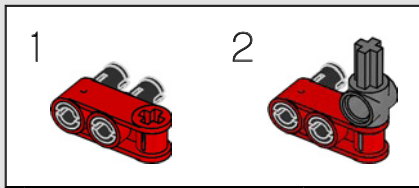
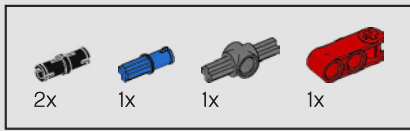




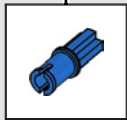
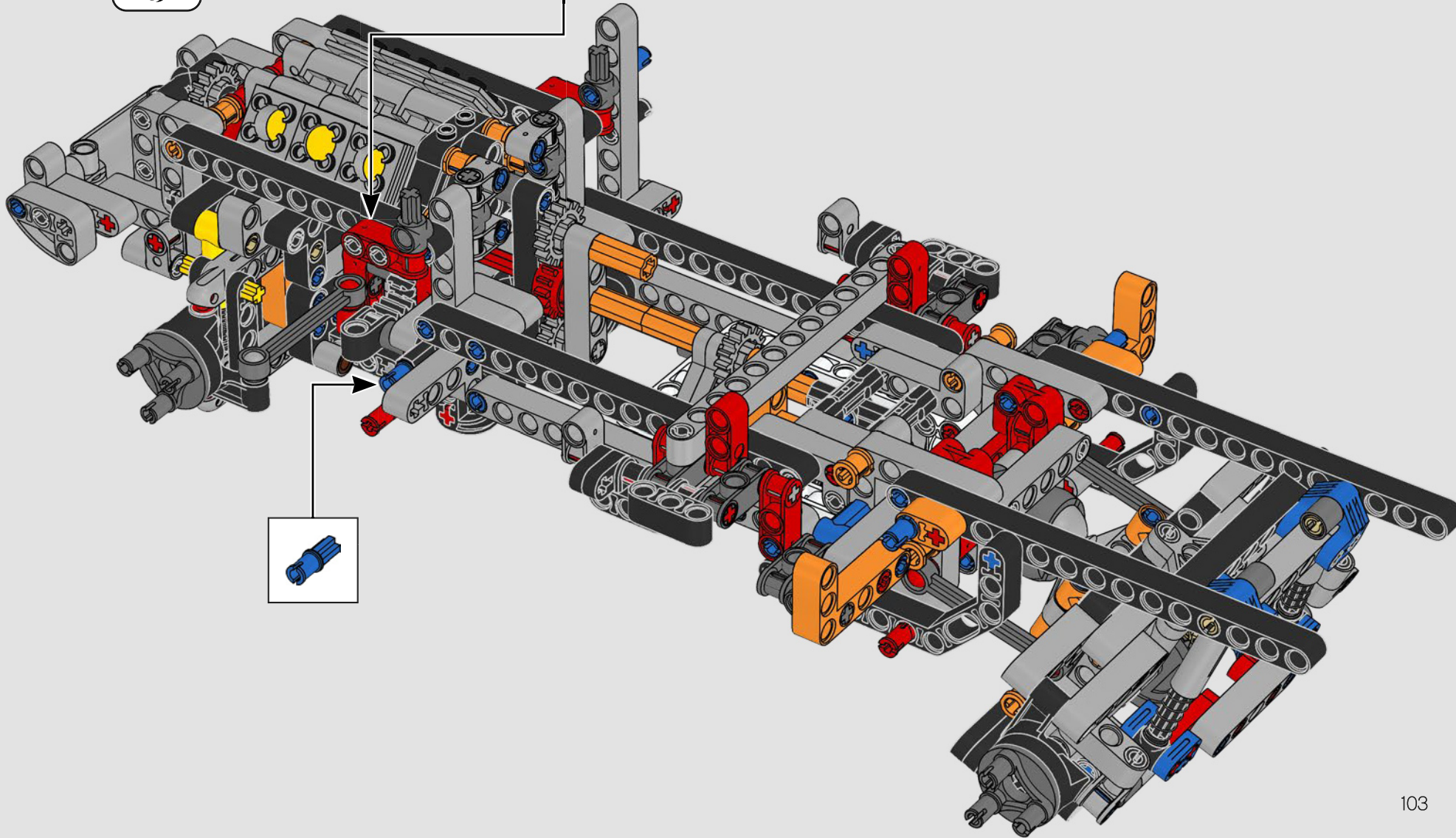
165

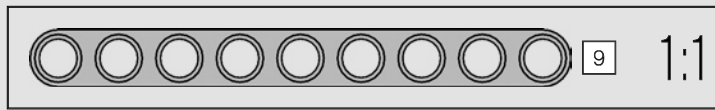
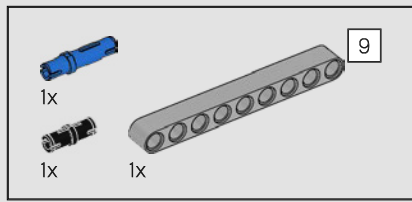




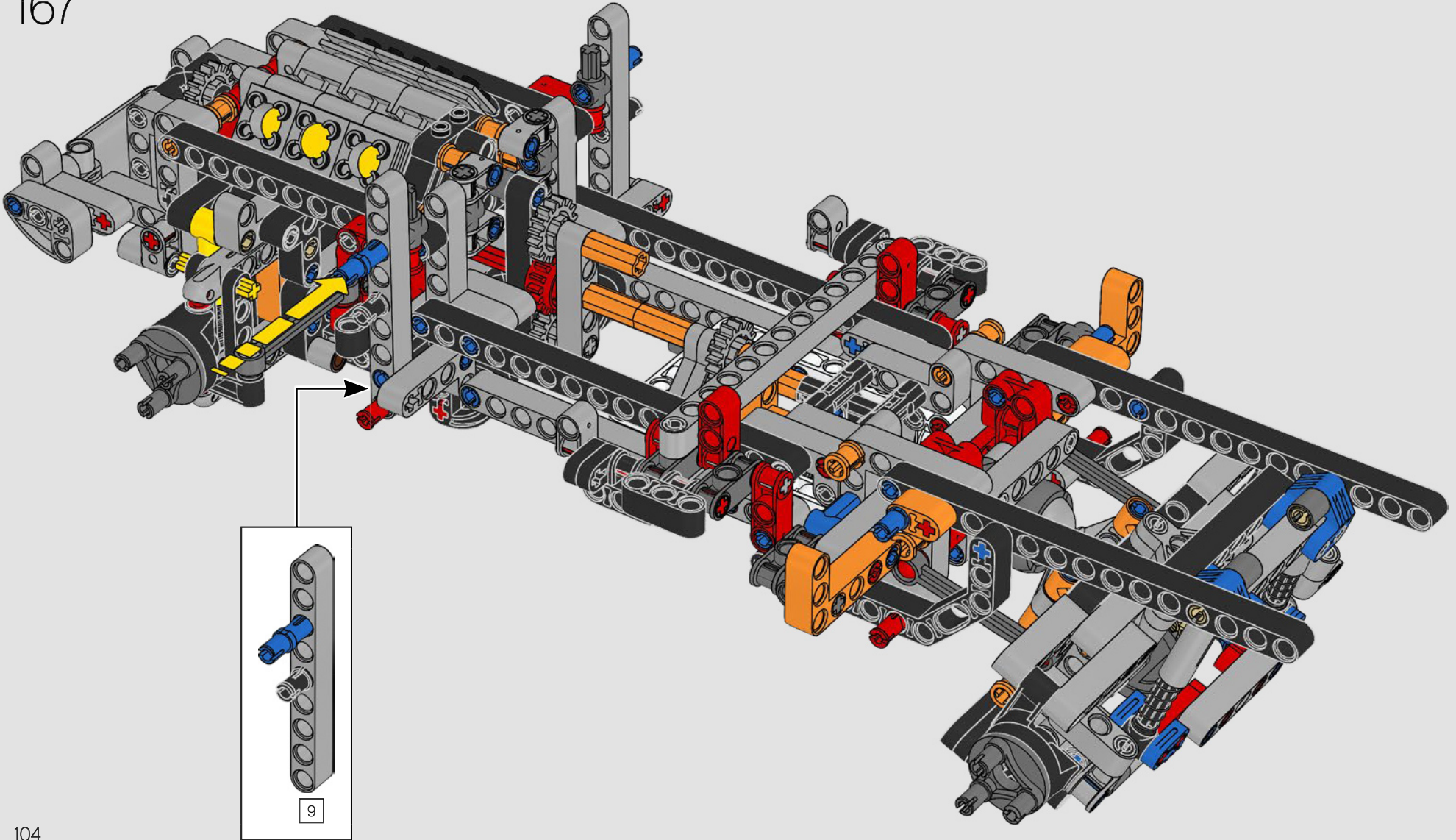


166

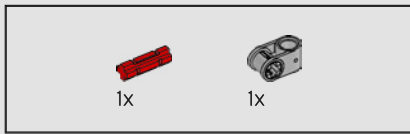




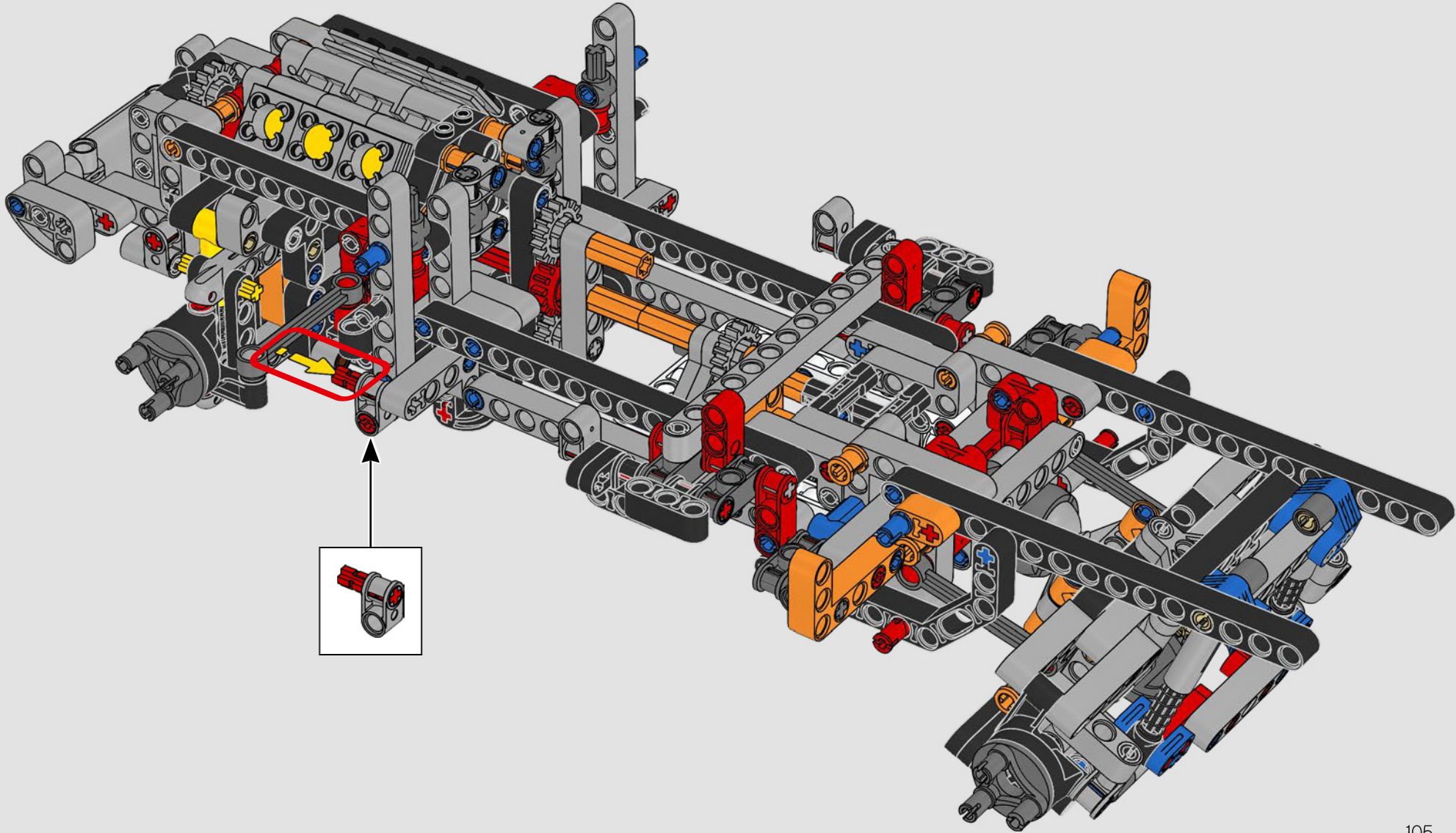
167

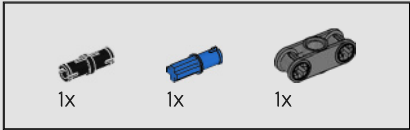
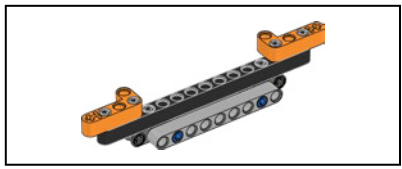




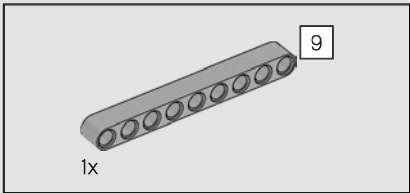
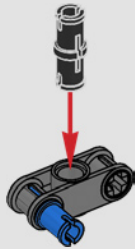


168

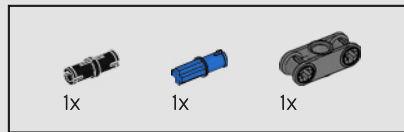
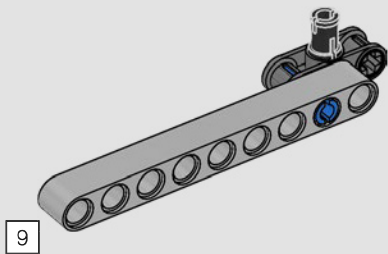




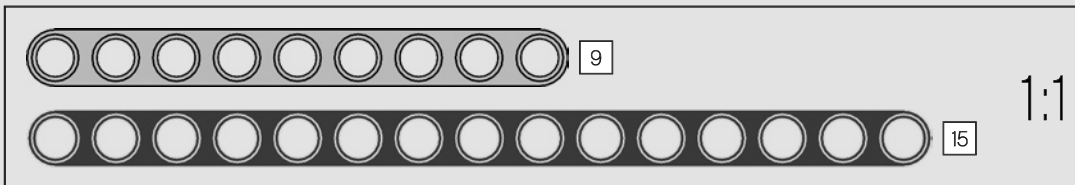
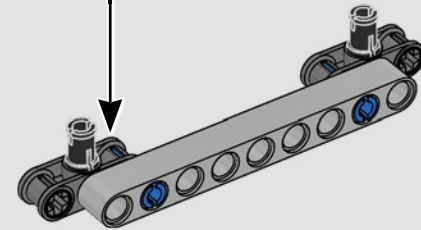
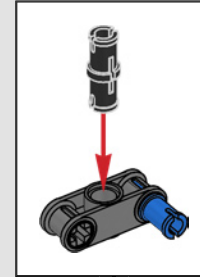
169



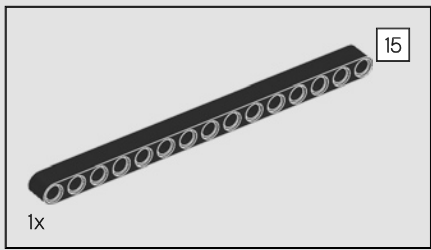
170



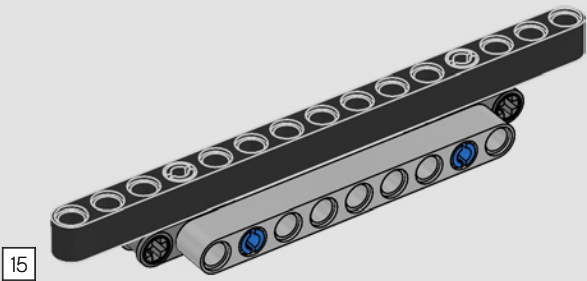
171



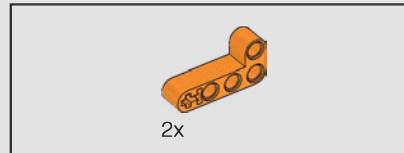
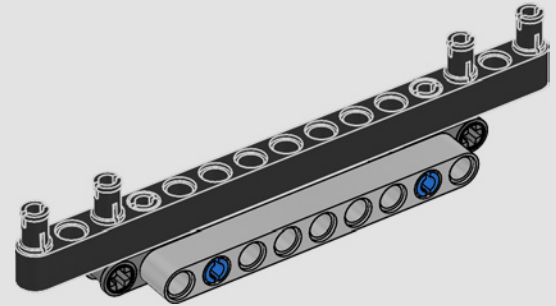




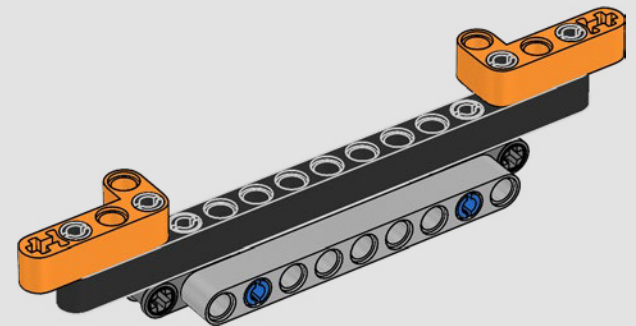
172

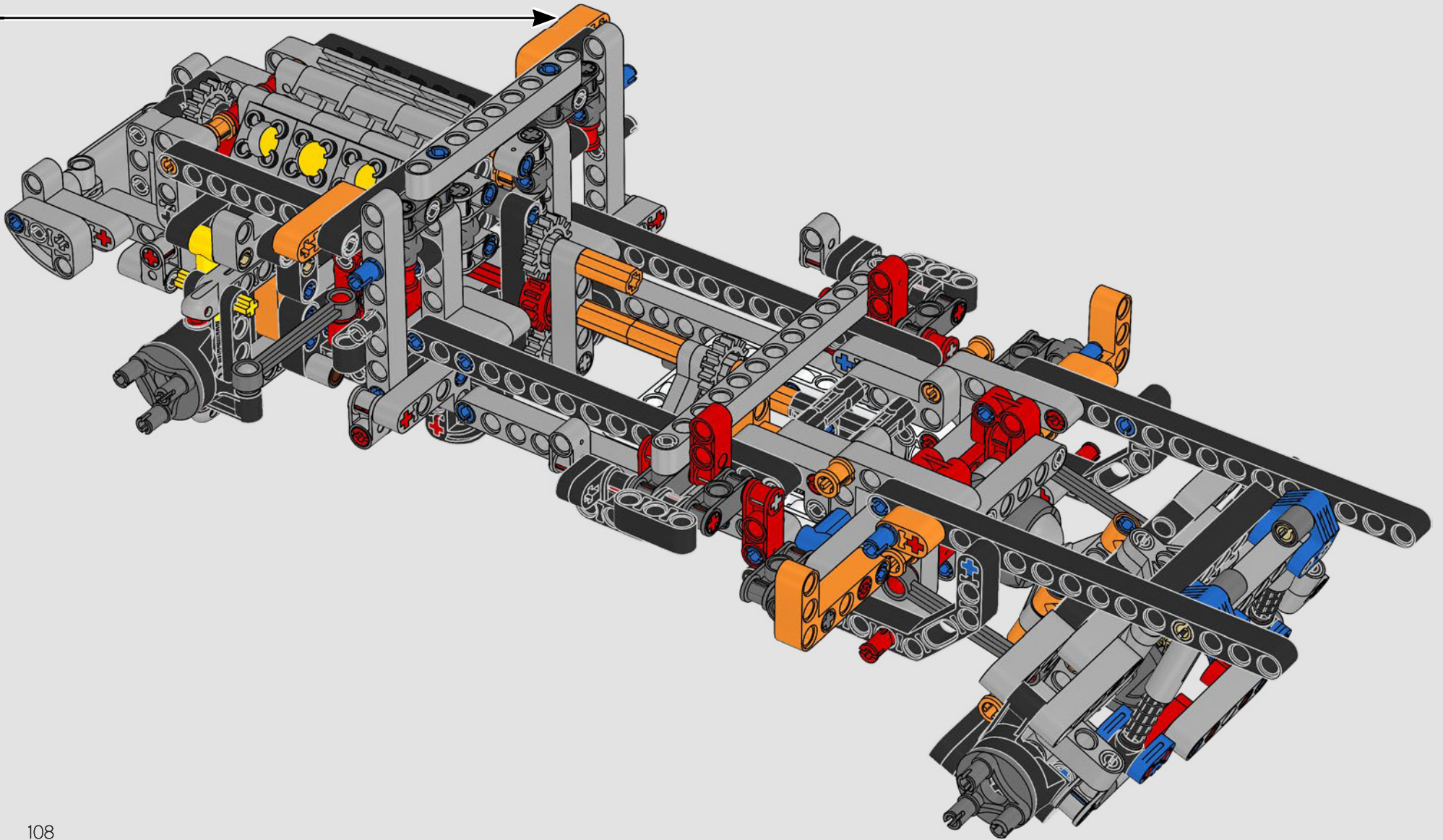


173



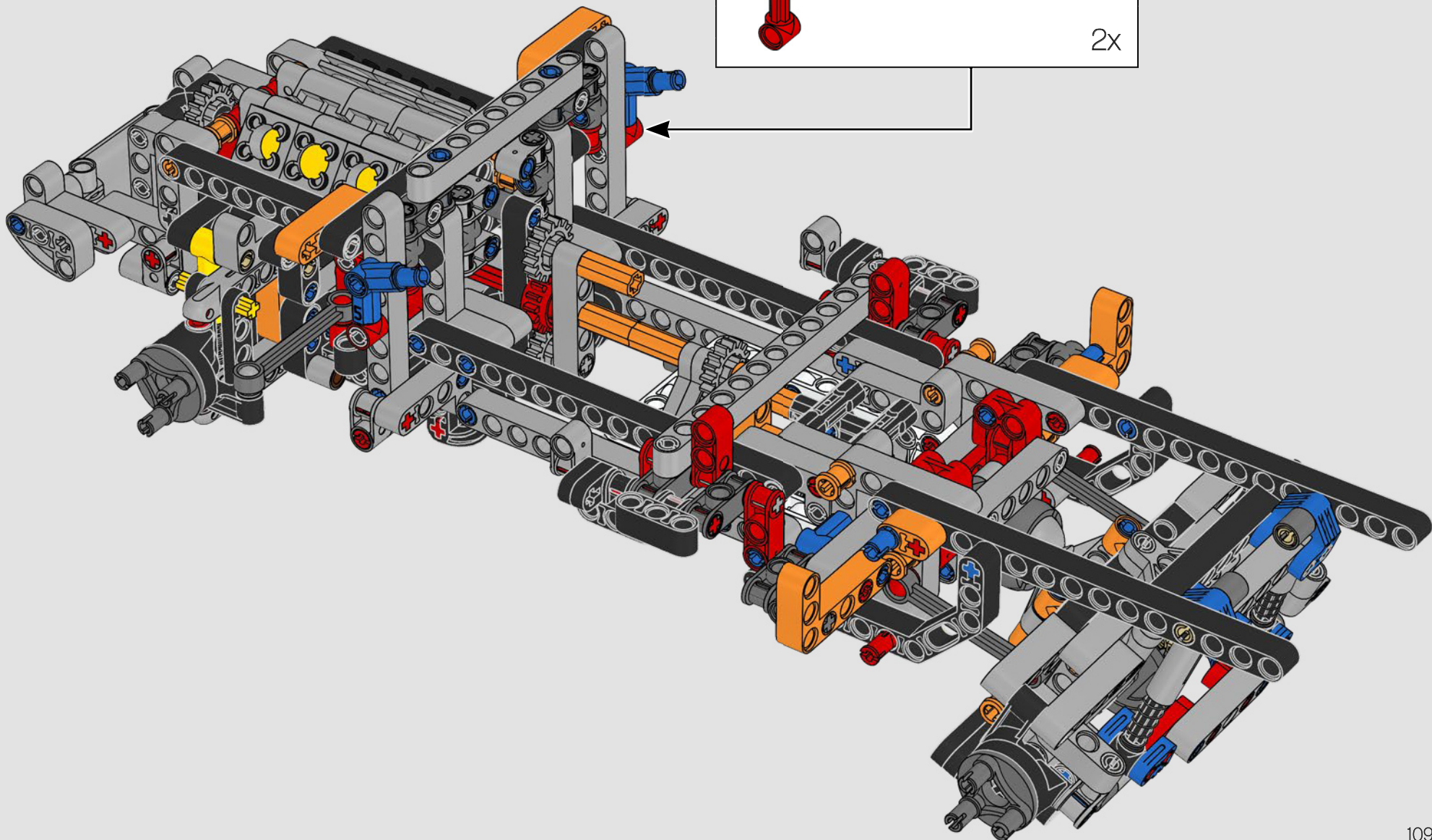
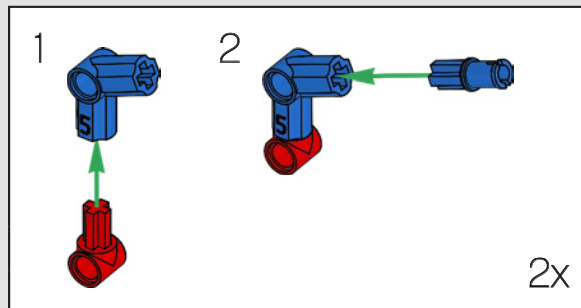
174



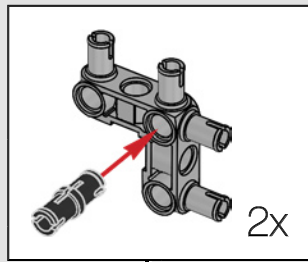
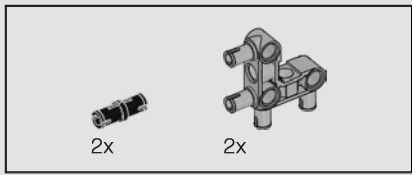




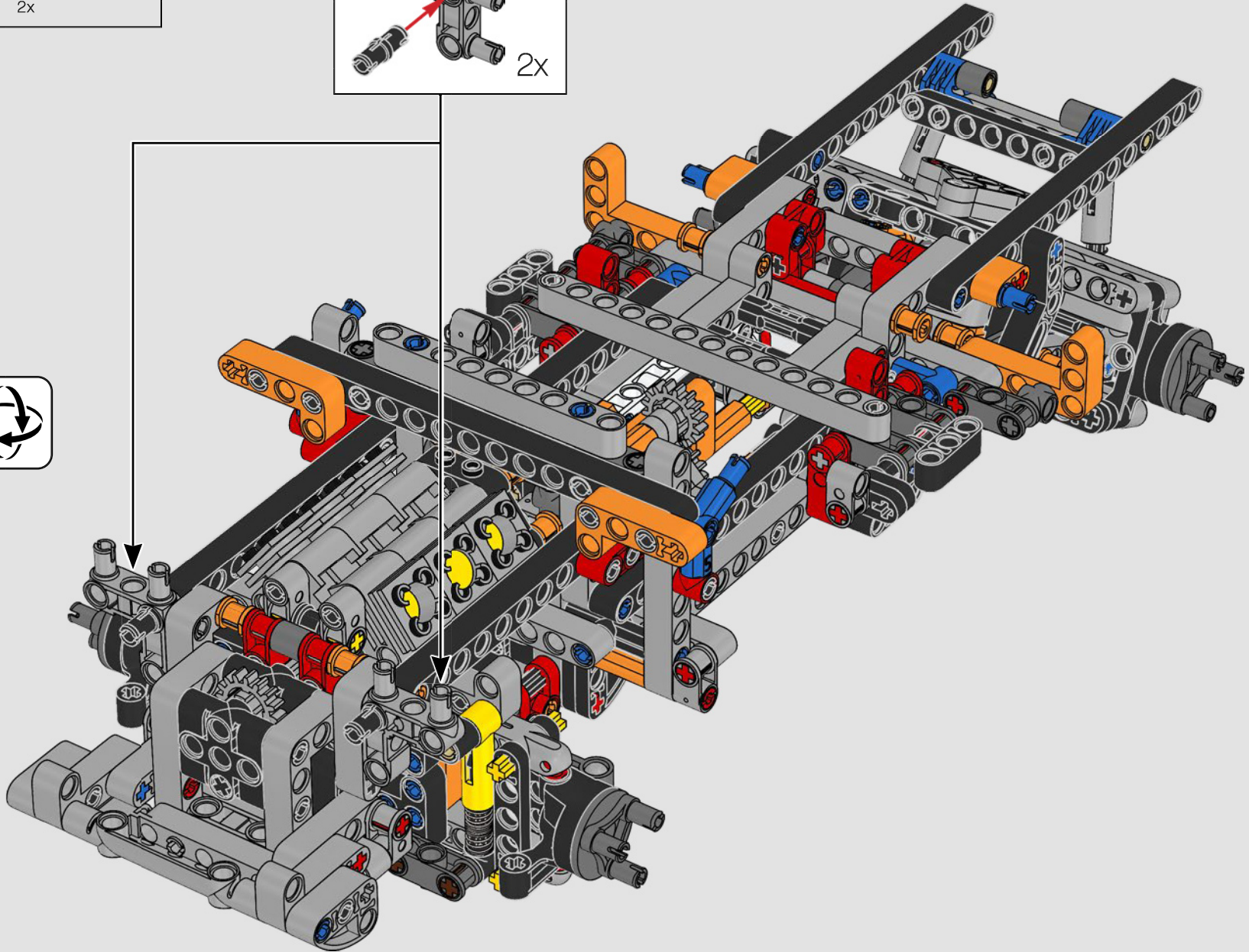
176



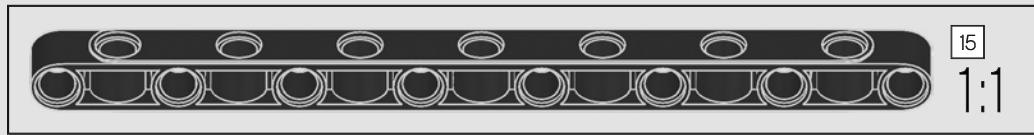
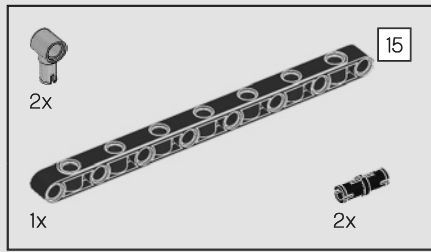




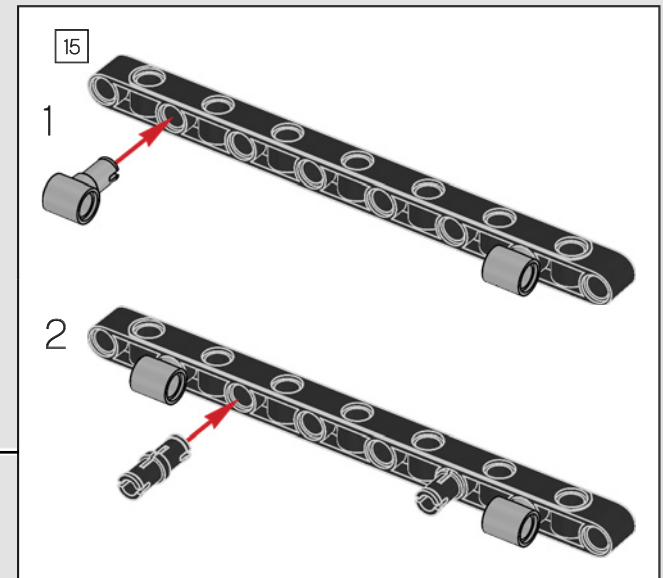
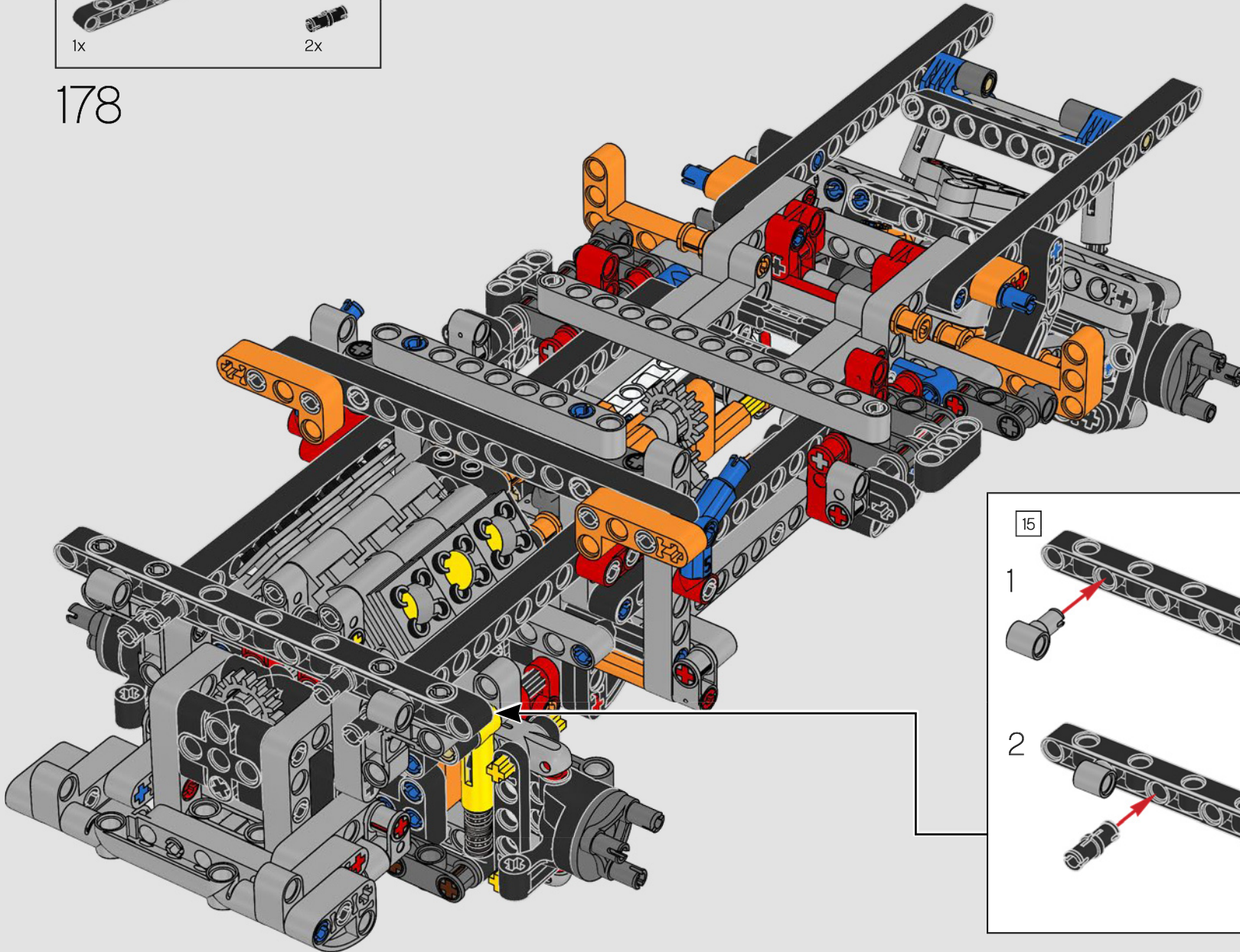
177

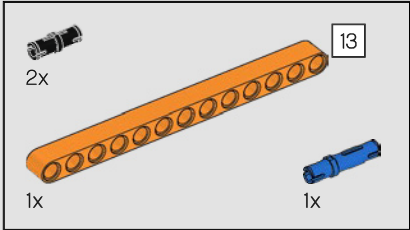
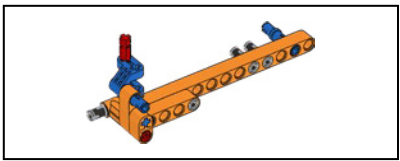




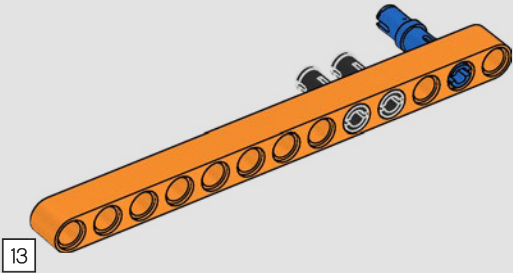


178

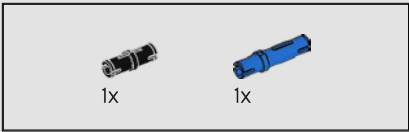




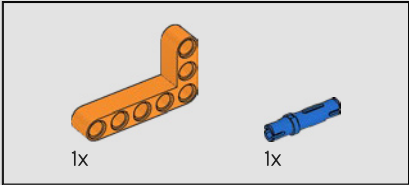
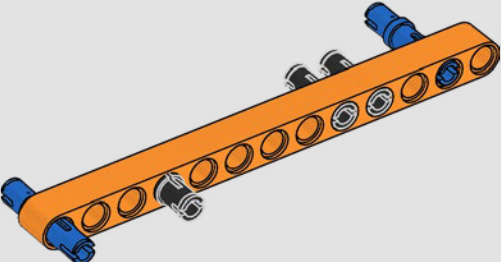
179



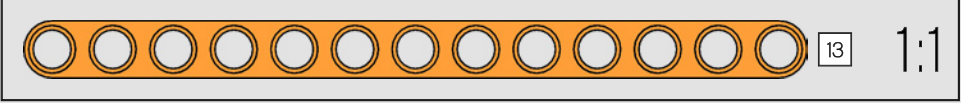
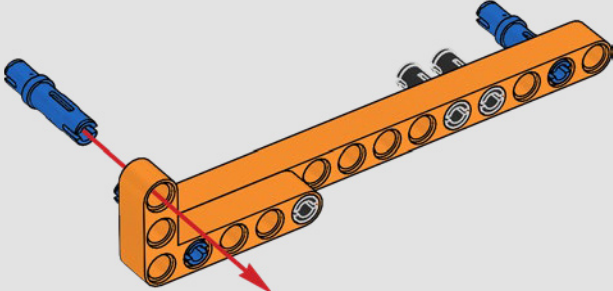
13

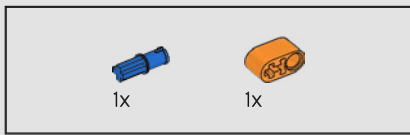


180

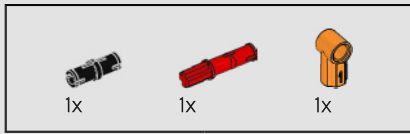
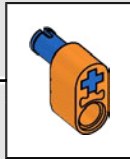
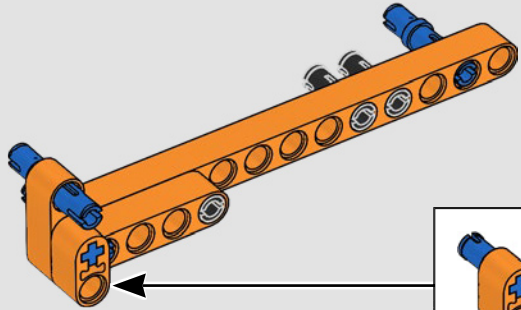


181

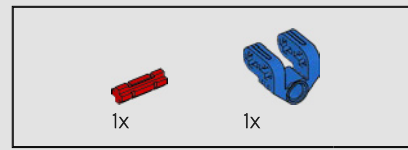
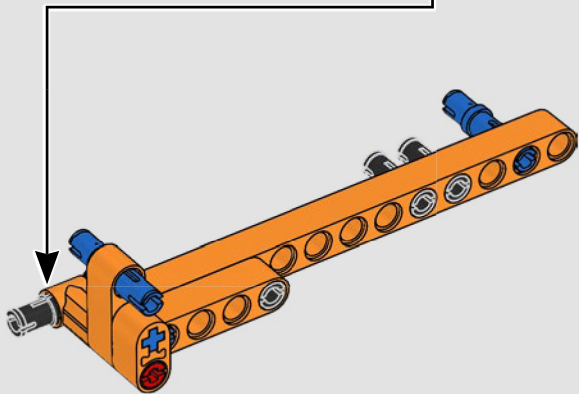
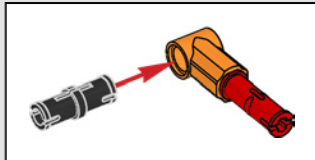




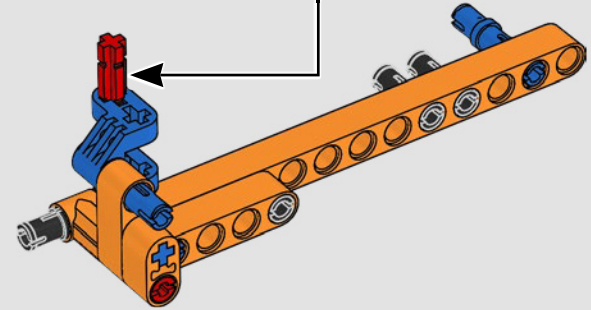
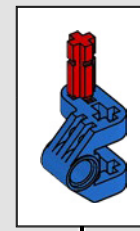
182



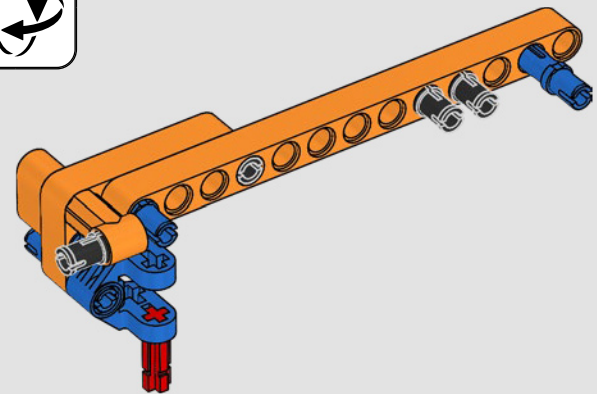
183



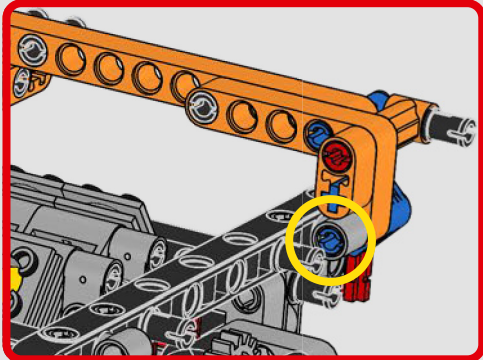
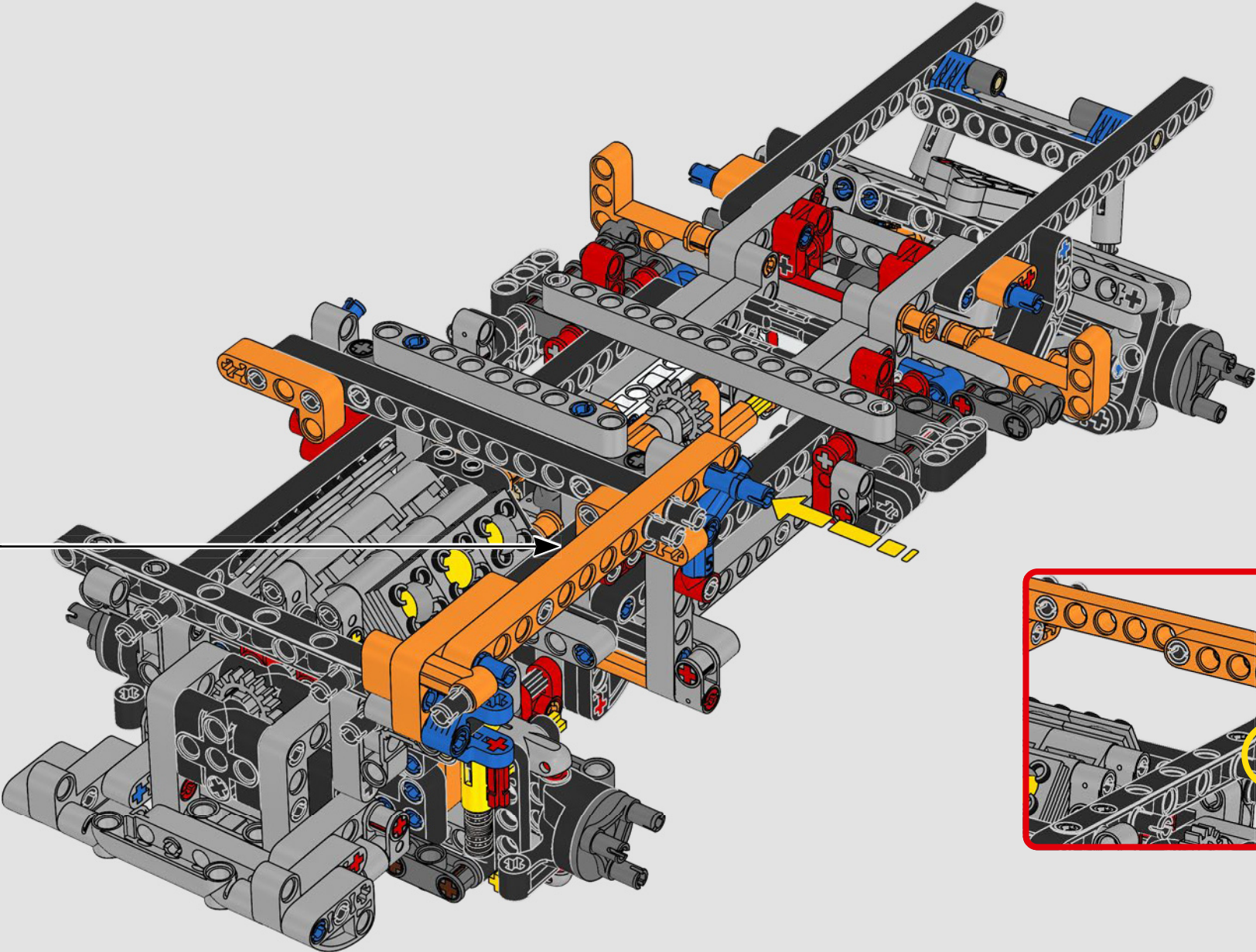
184



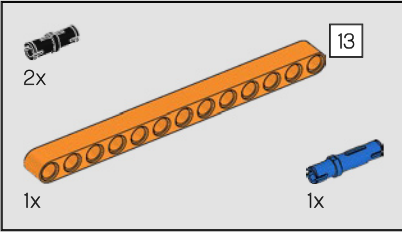
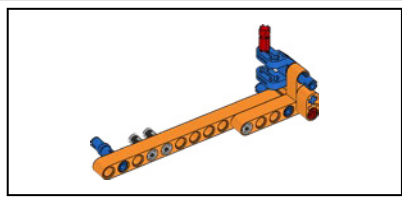
185



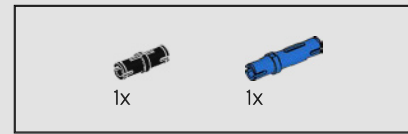
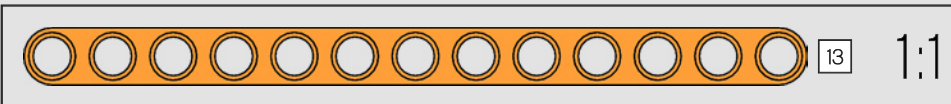
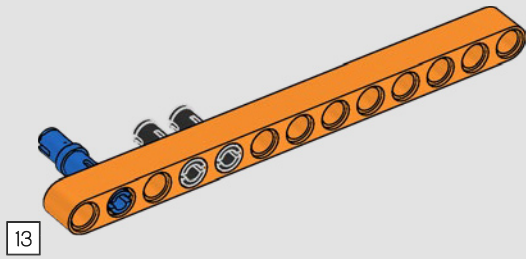




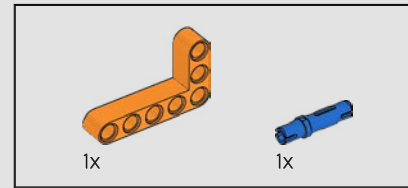
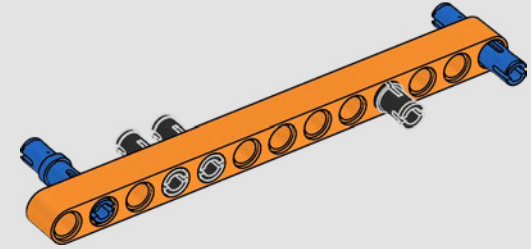




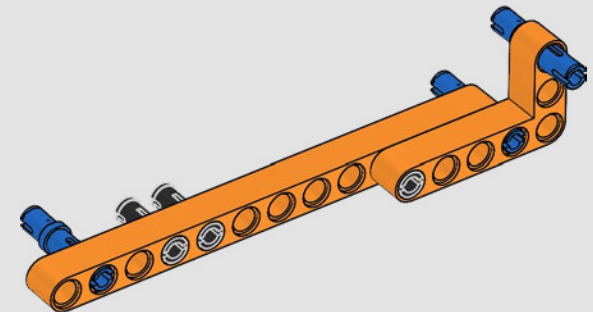
187

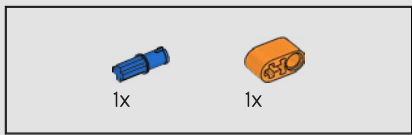


188

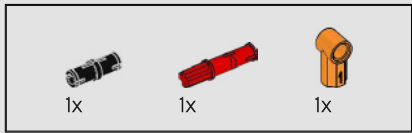
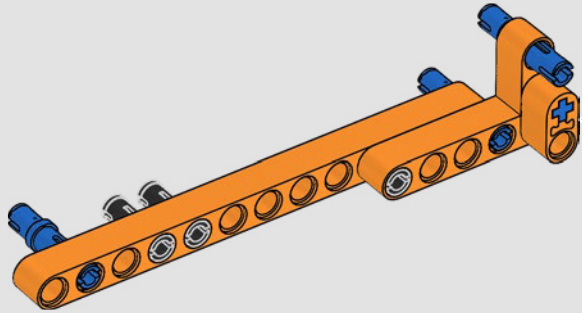


189

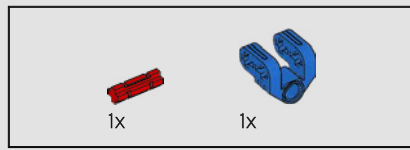
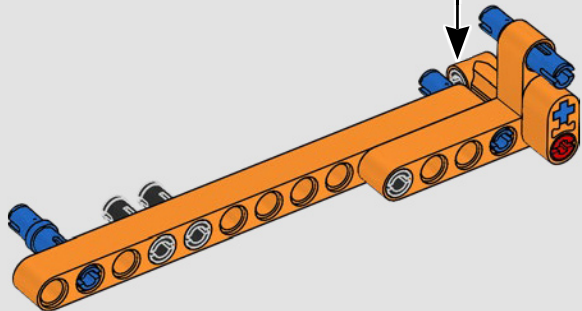
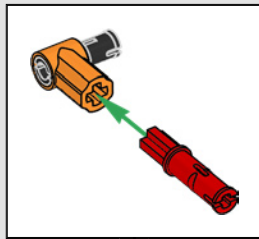




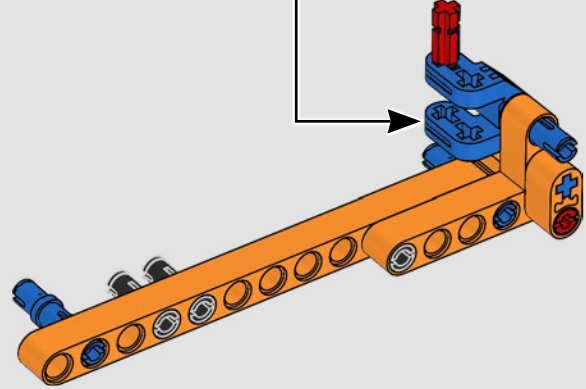
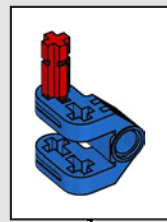
190



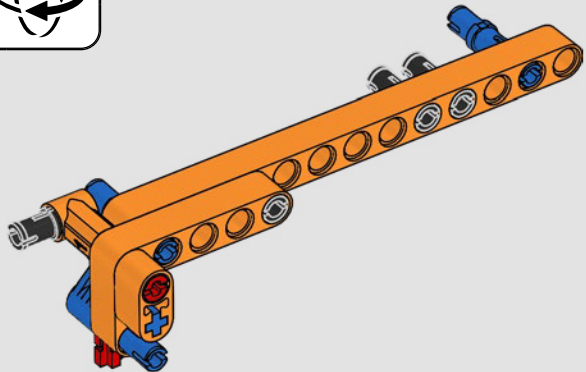
191



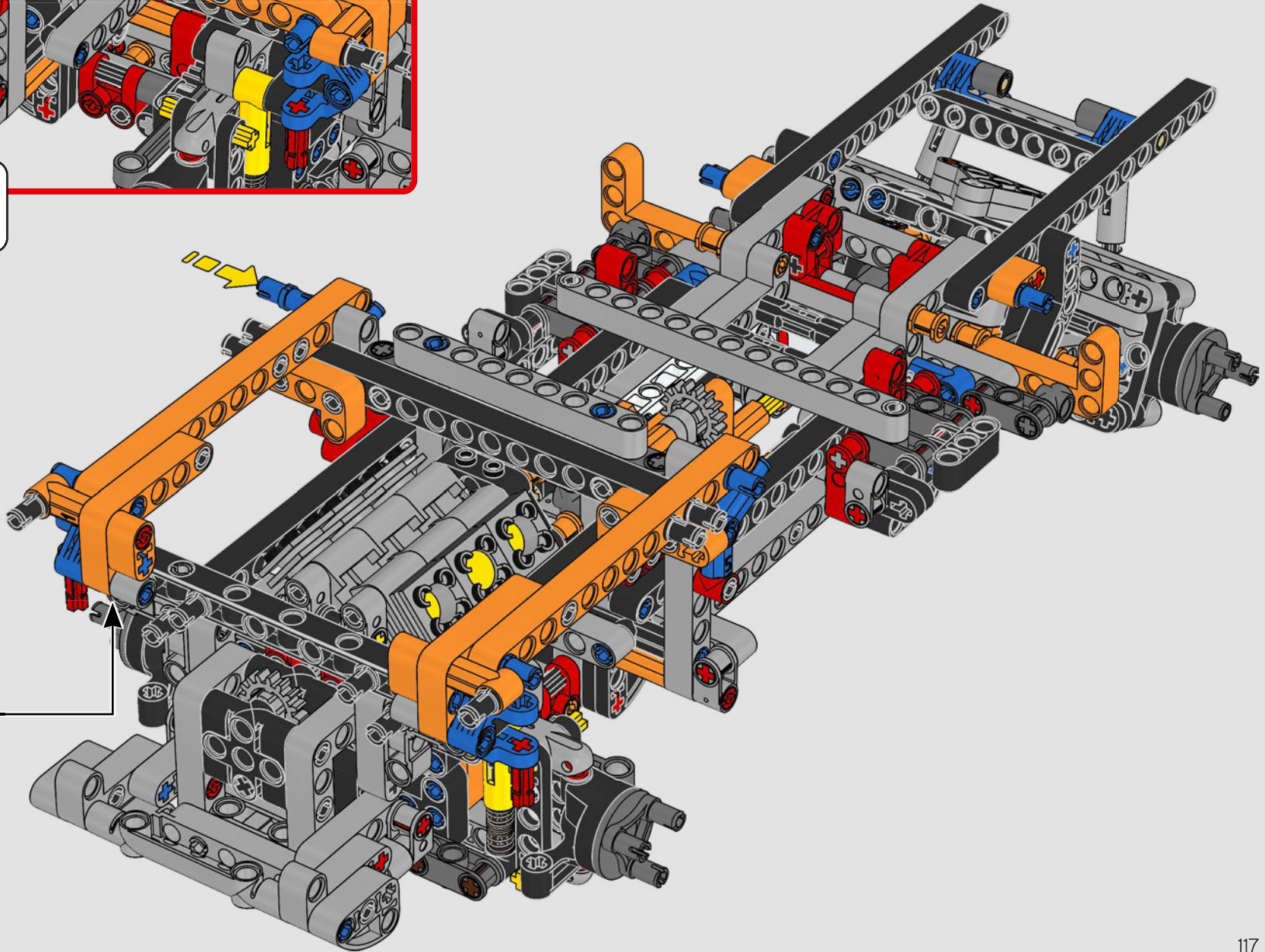
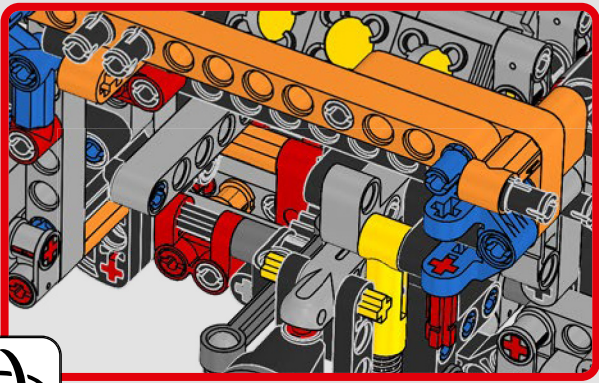
192



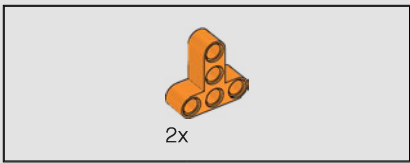
193



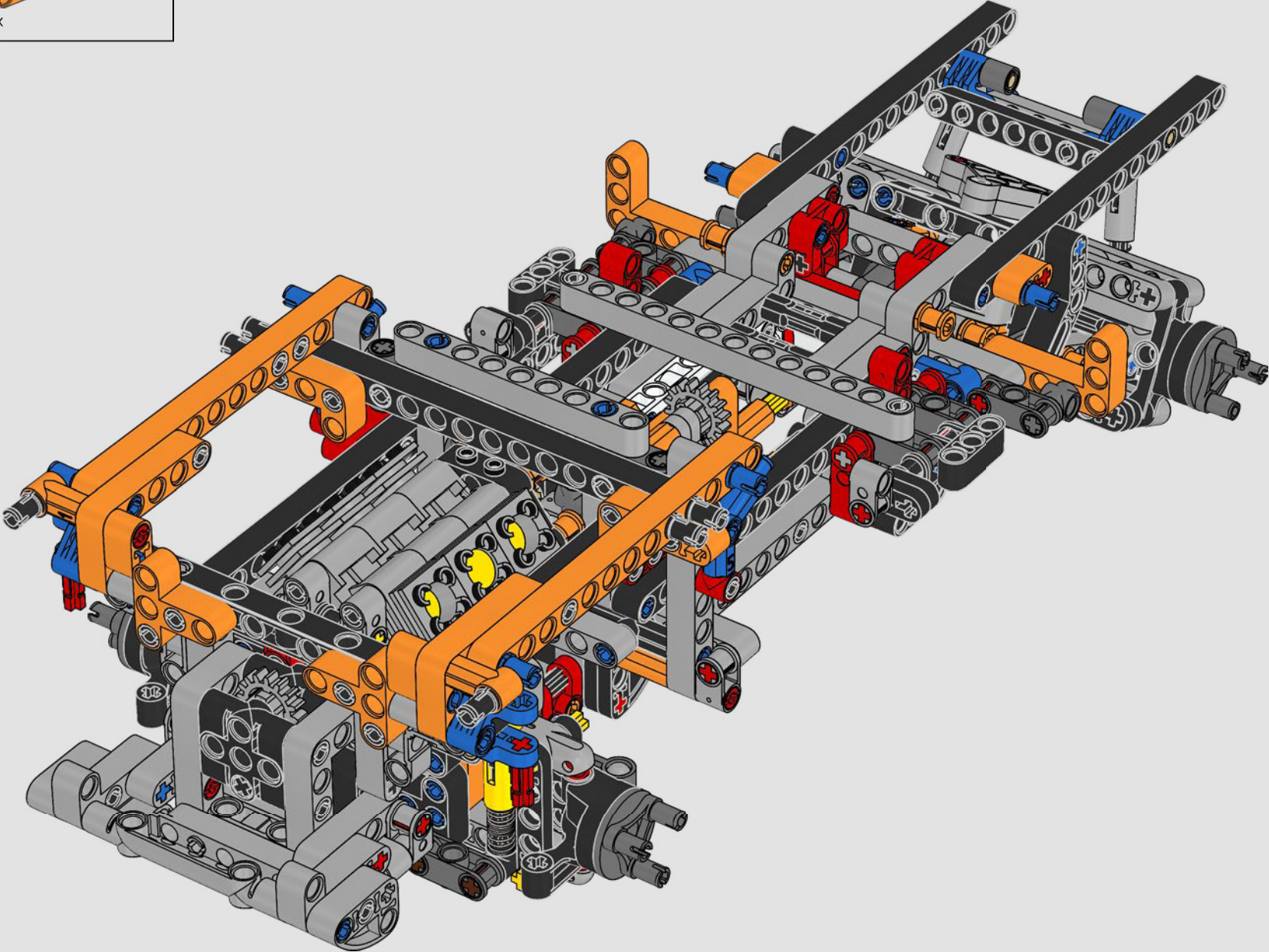
194







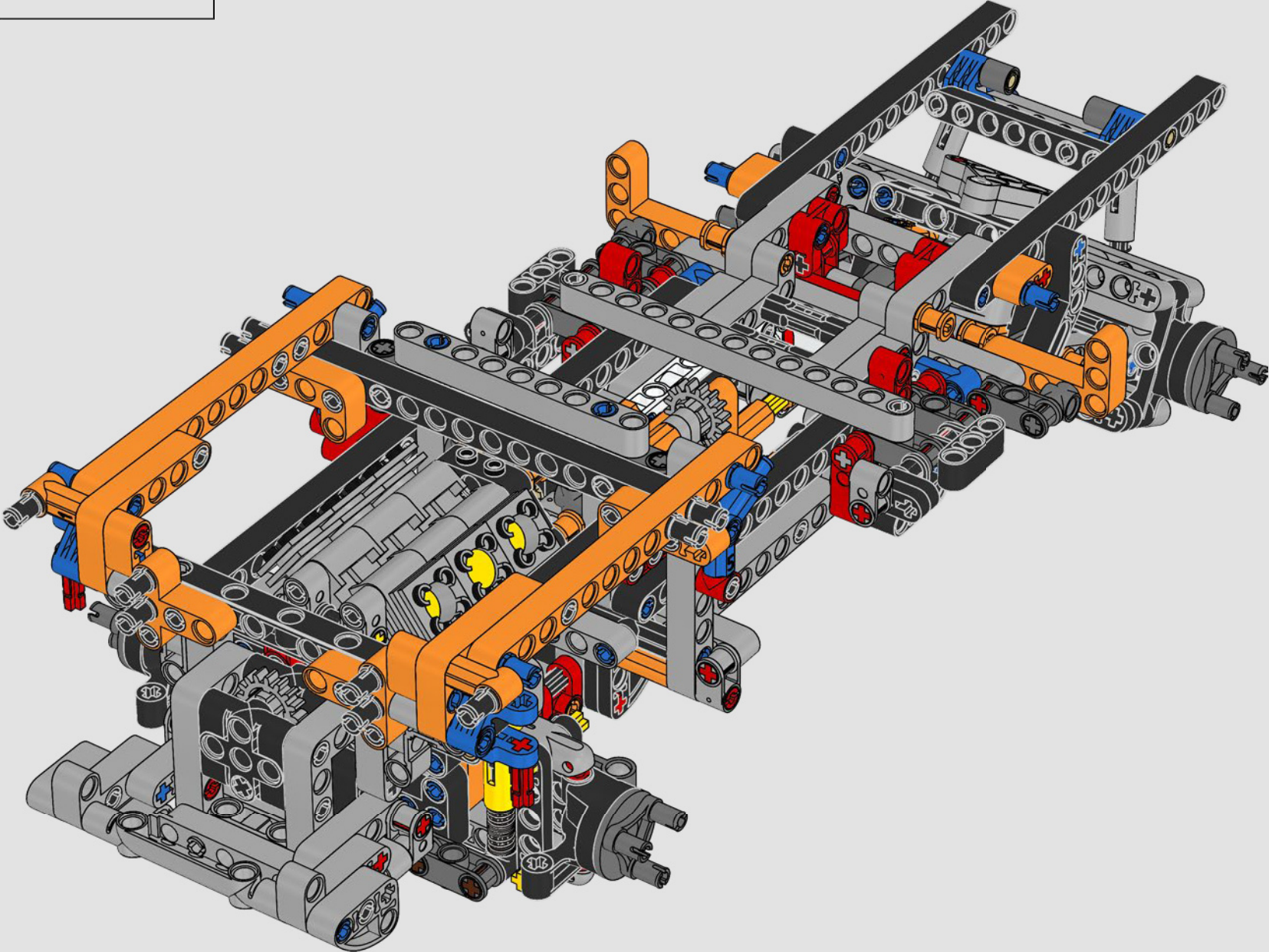
195

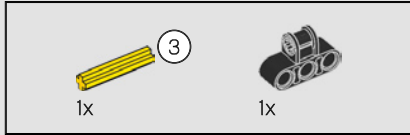
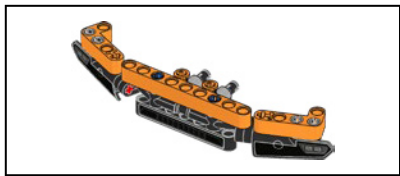




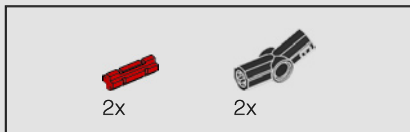


196

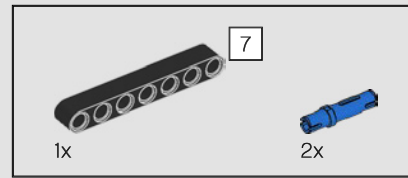
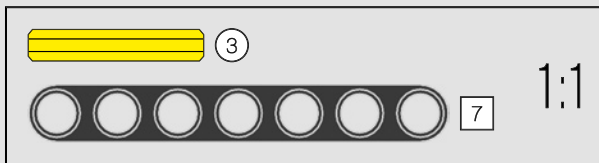
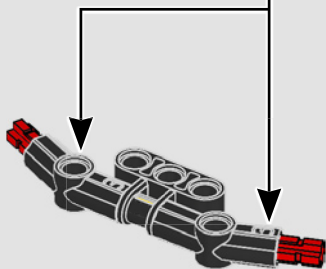
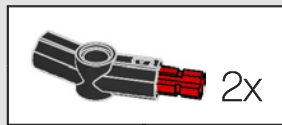




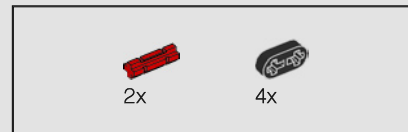
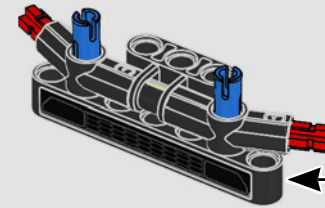
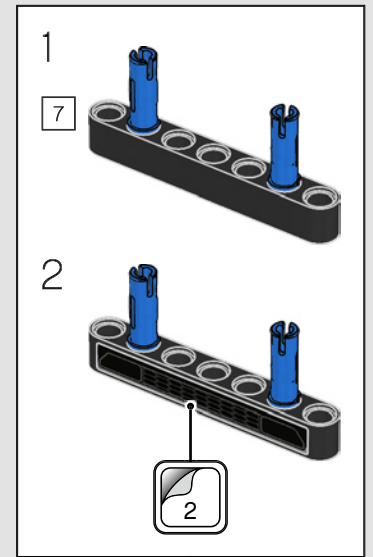
197



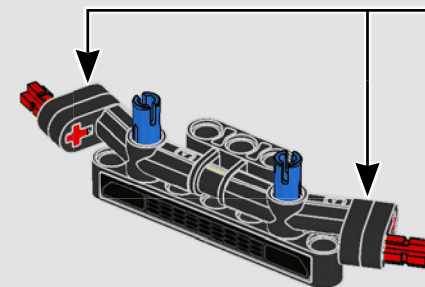
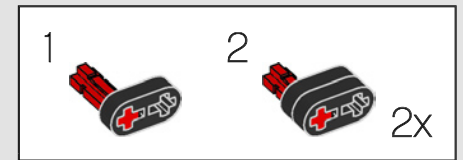
198

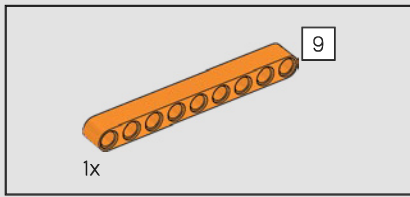


199

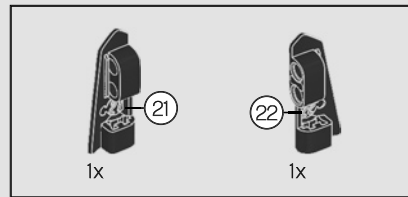
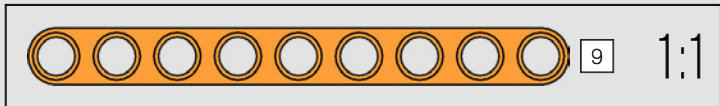
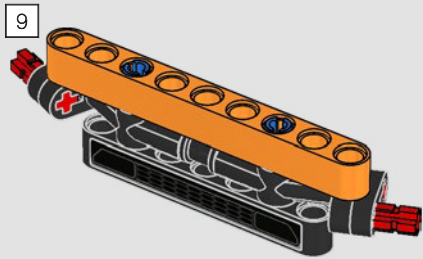


200

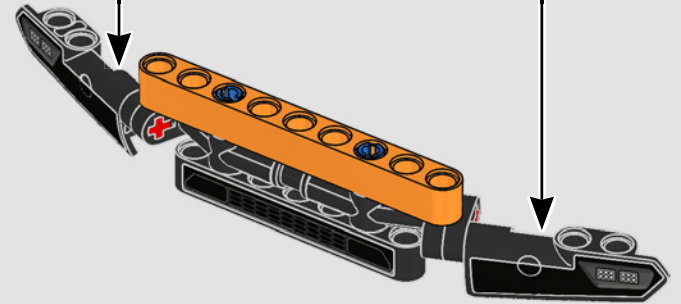
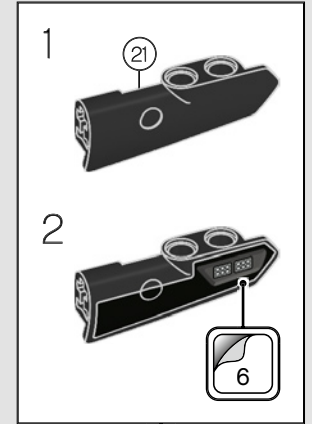
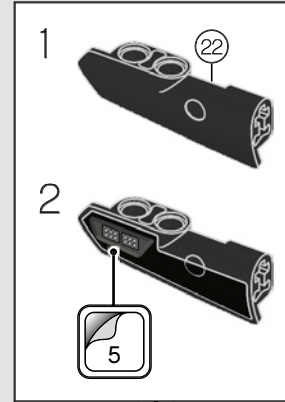




201

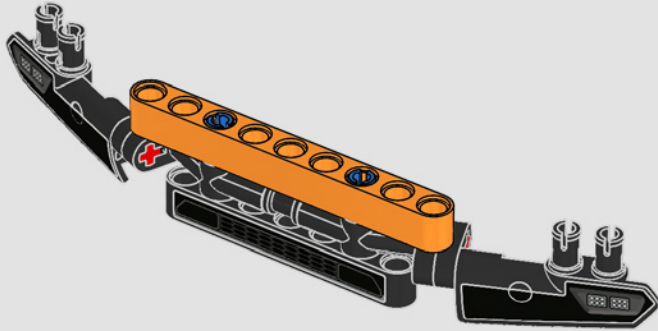


202

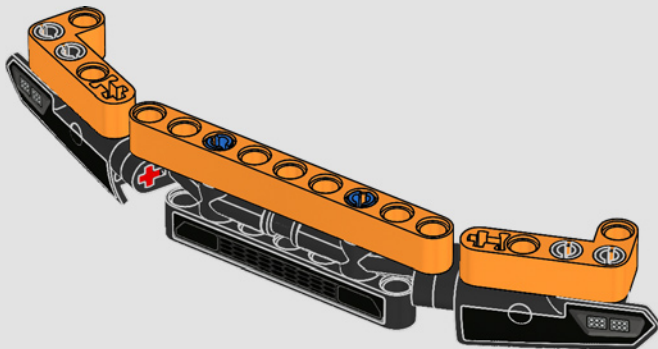




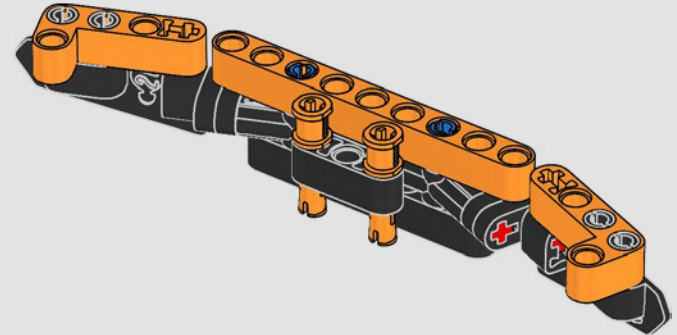
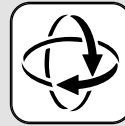
203



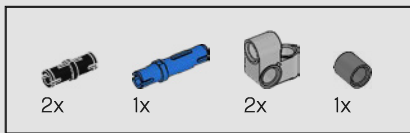
204



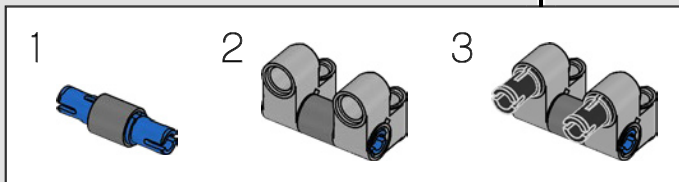
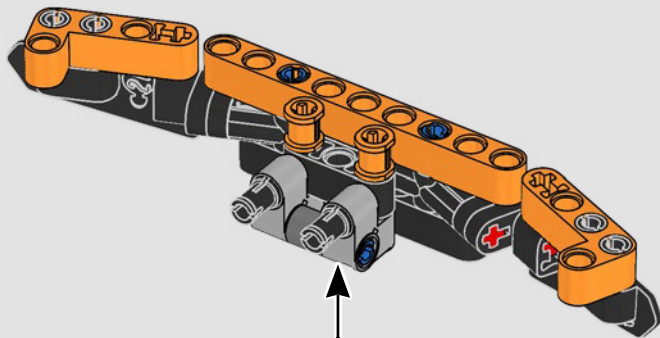
205



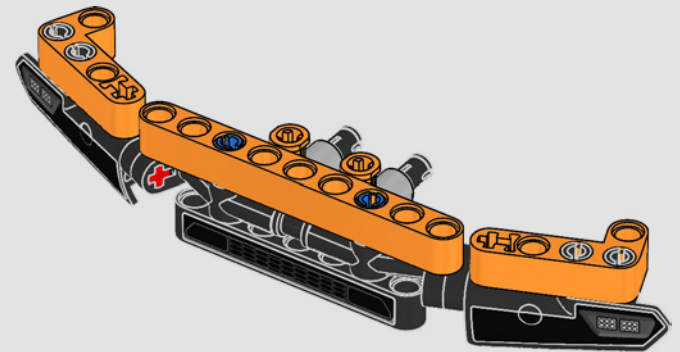




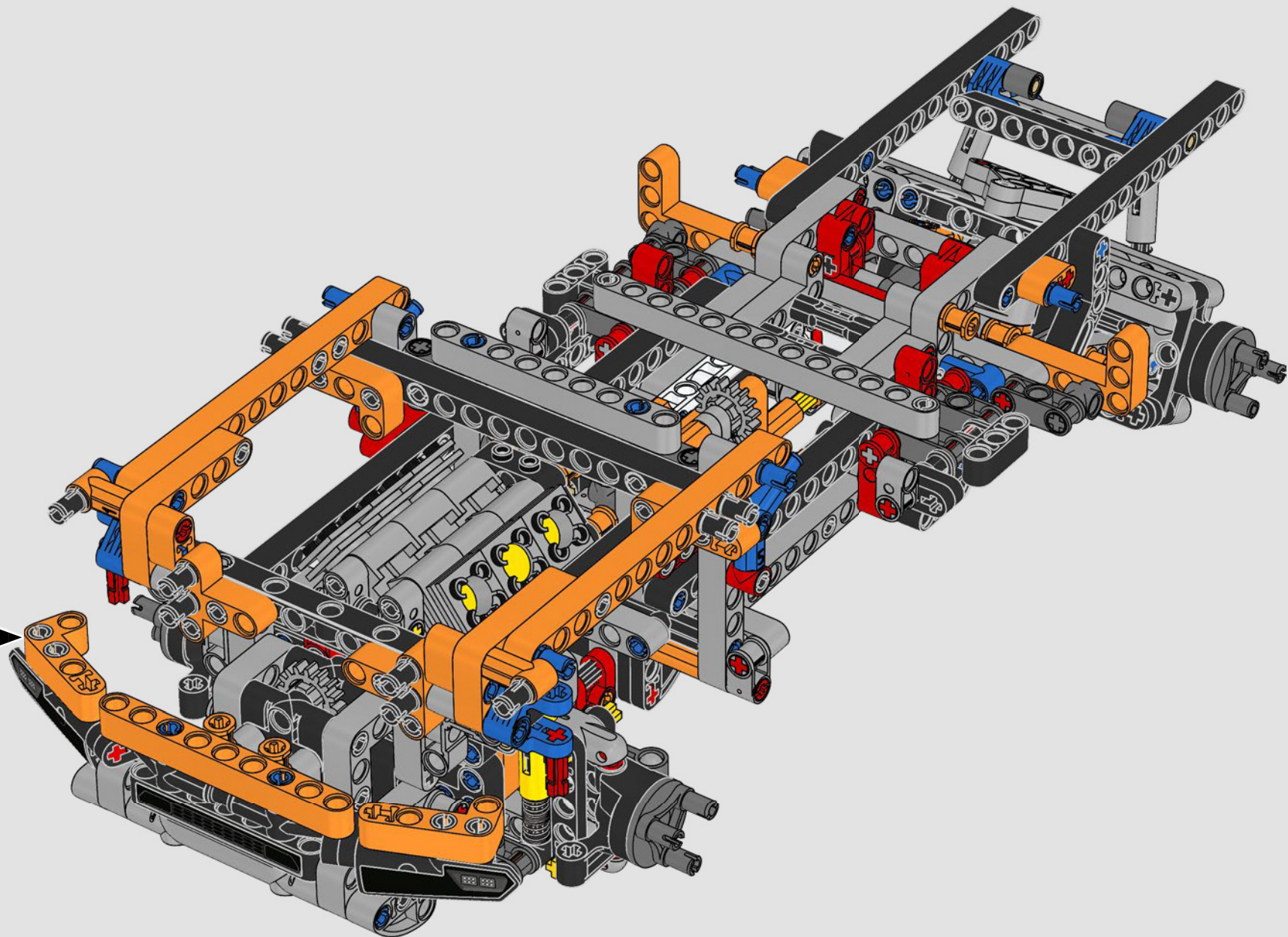
206



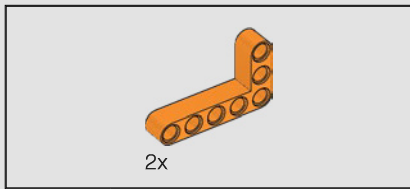
207



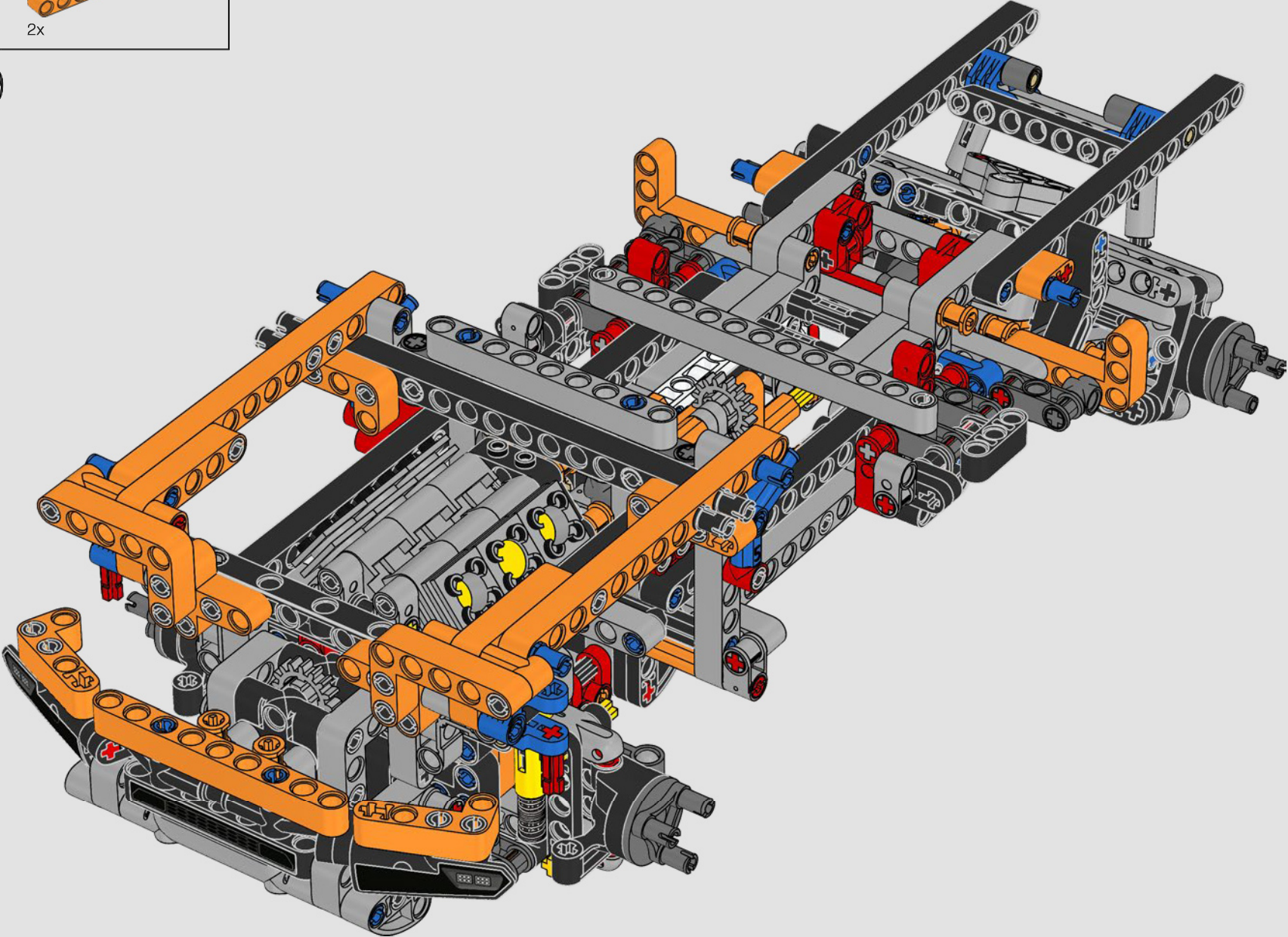
208

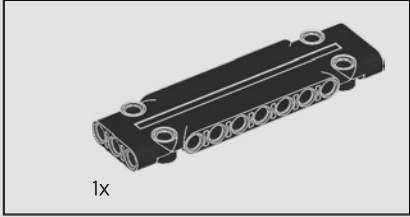
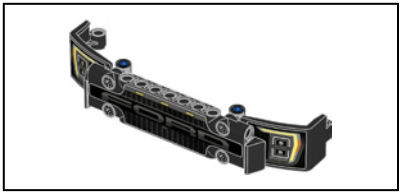




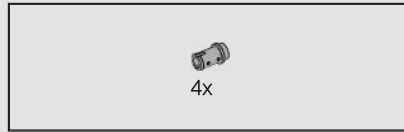
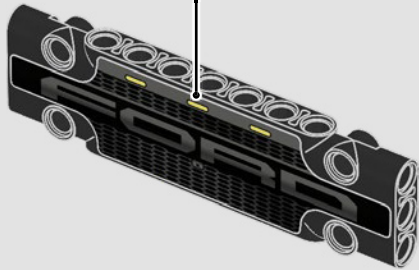


209

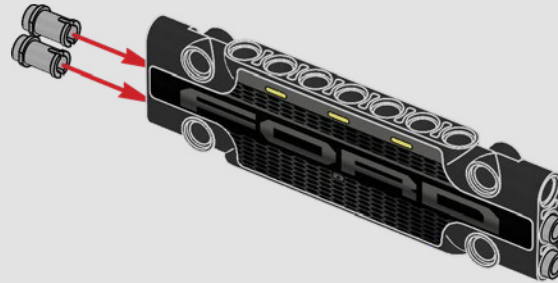




210

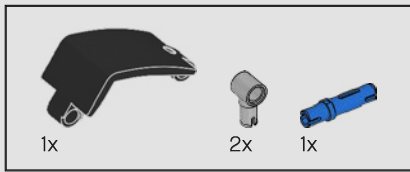


211

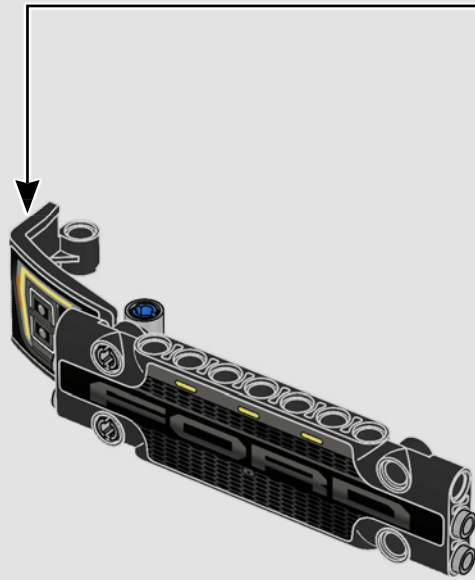
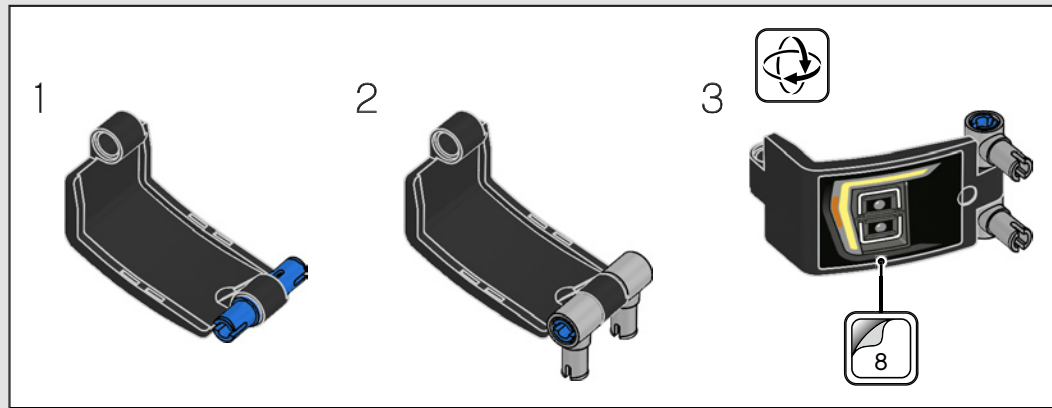


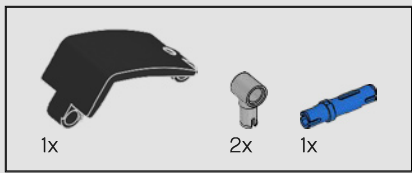
*The Raptor is fitted with its own grille, replacing the Ford Blue Oval emblem with large "FORD" lettering.*



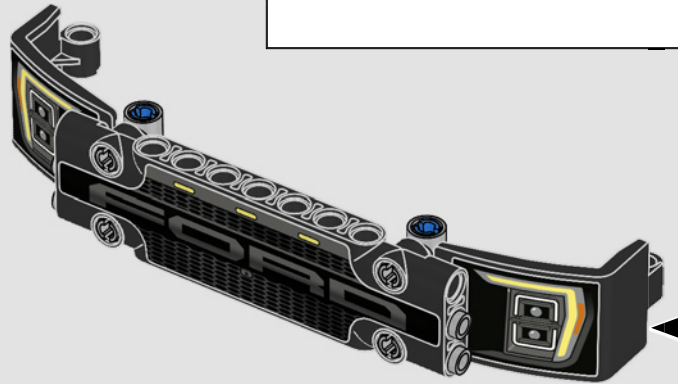
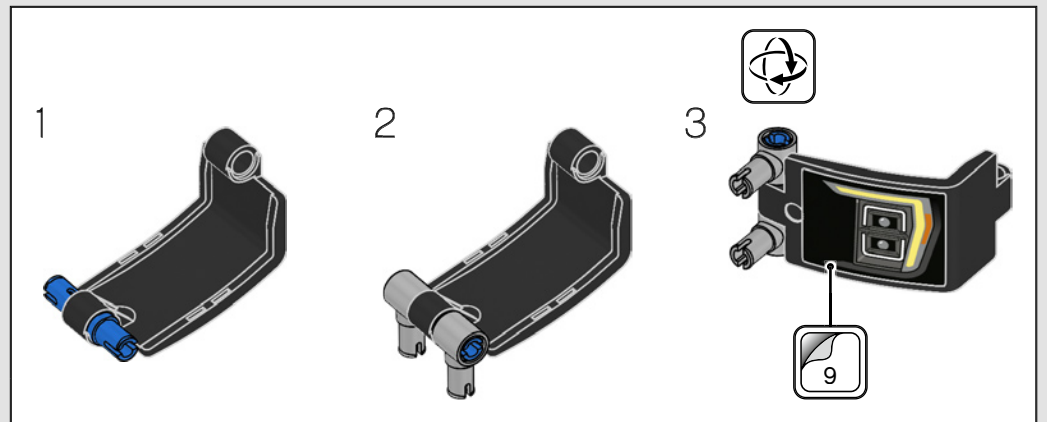


212

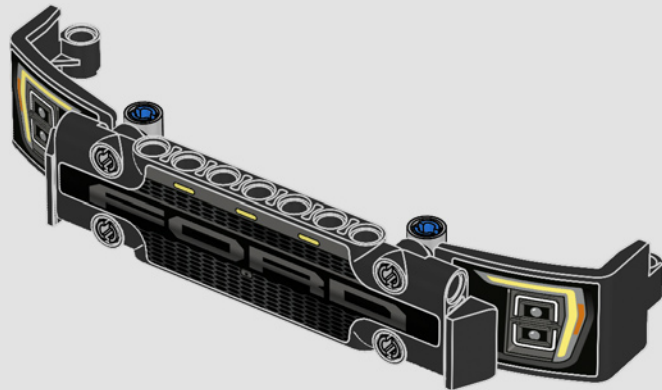


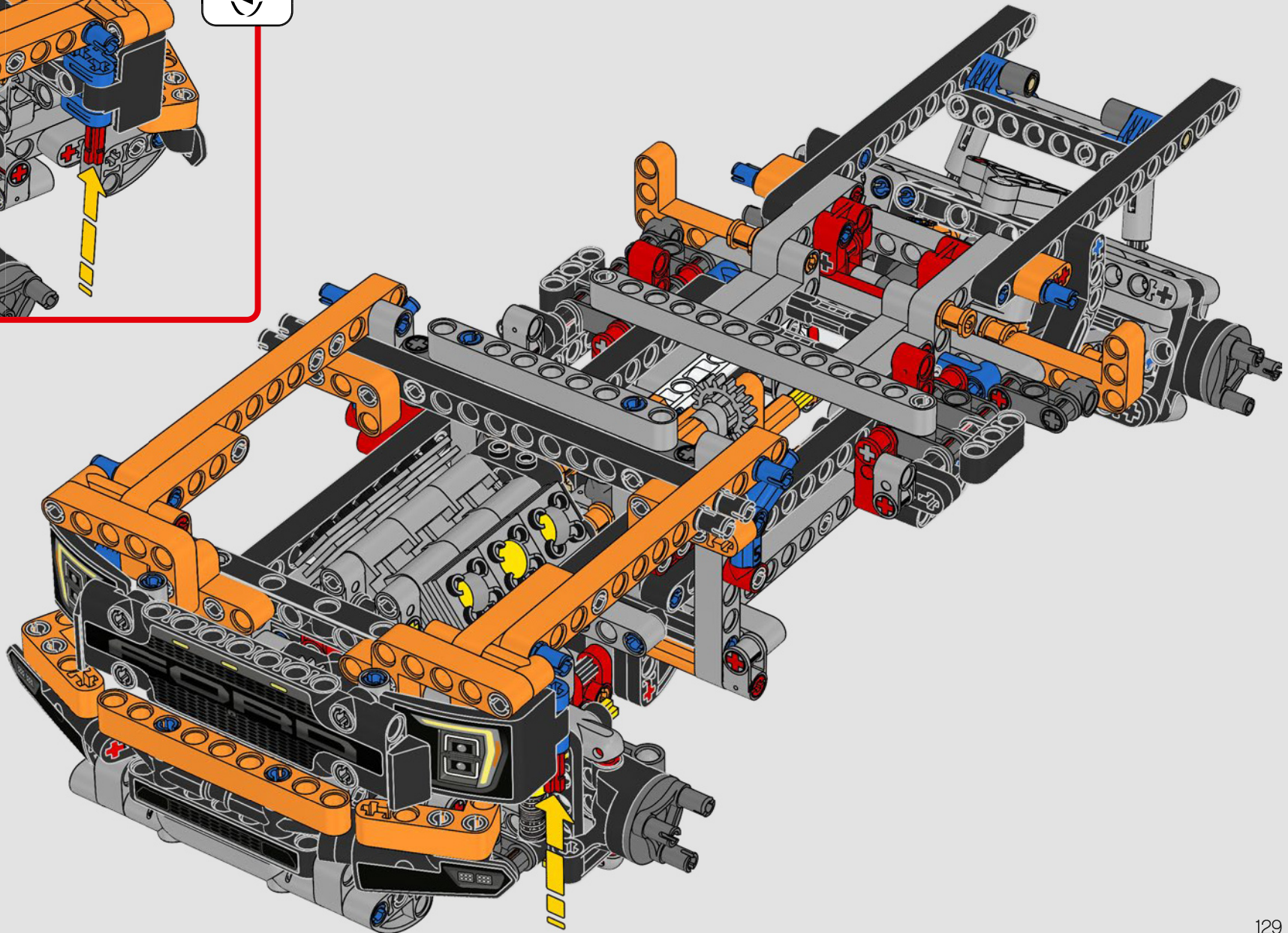
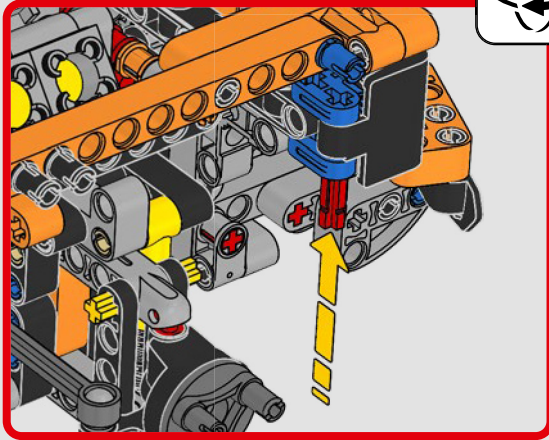


213

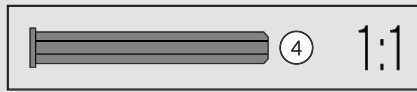
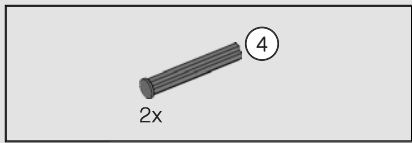


214

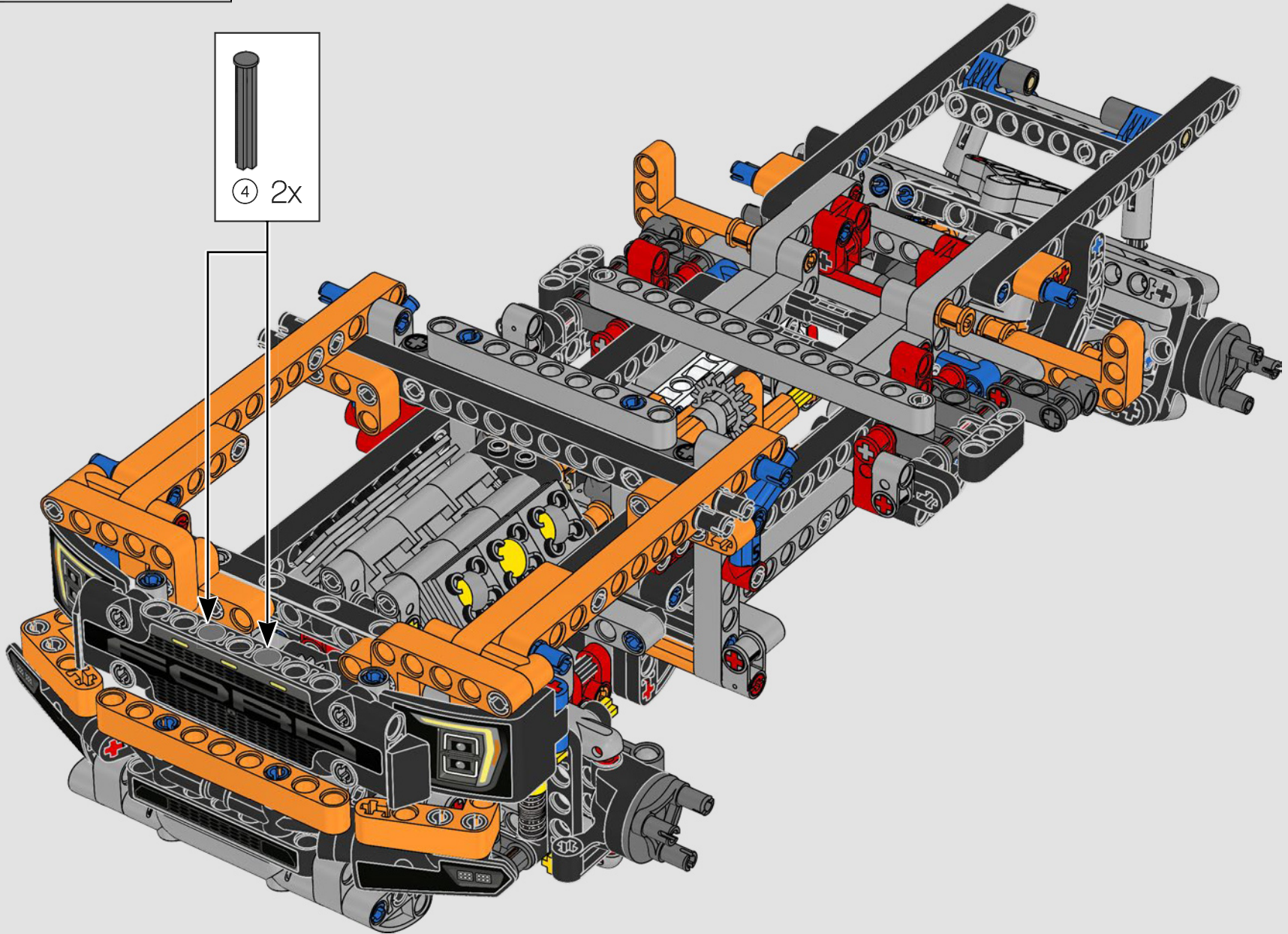
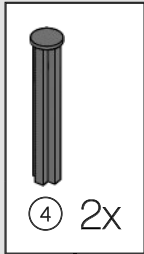




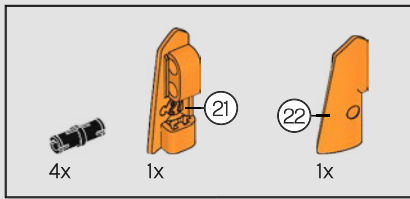




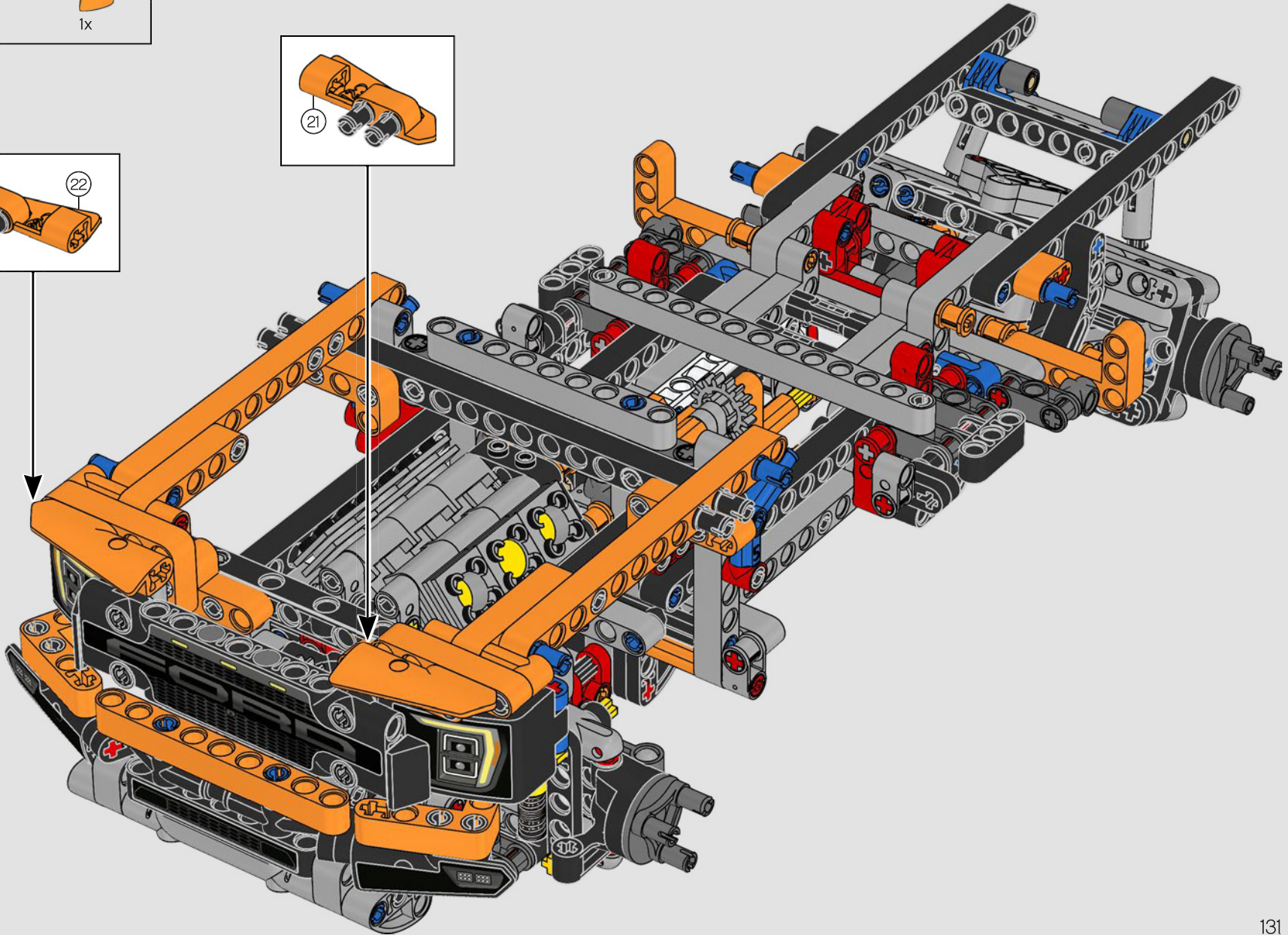
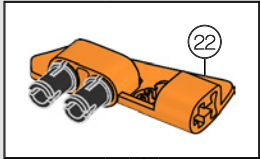
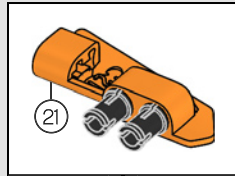
216

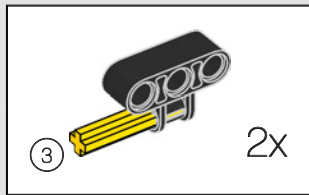
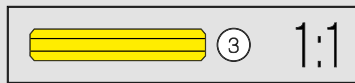
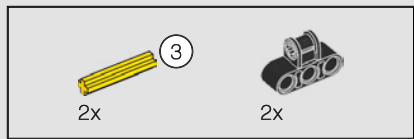




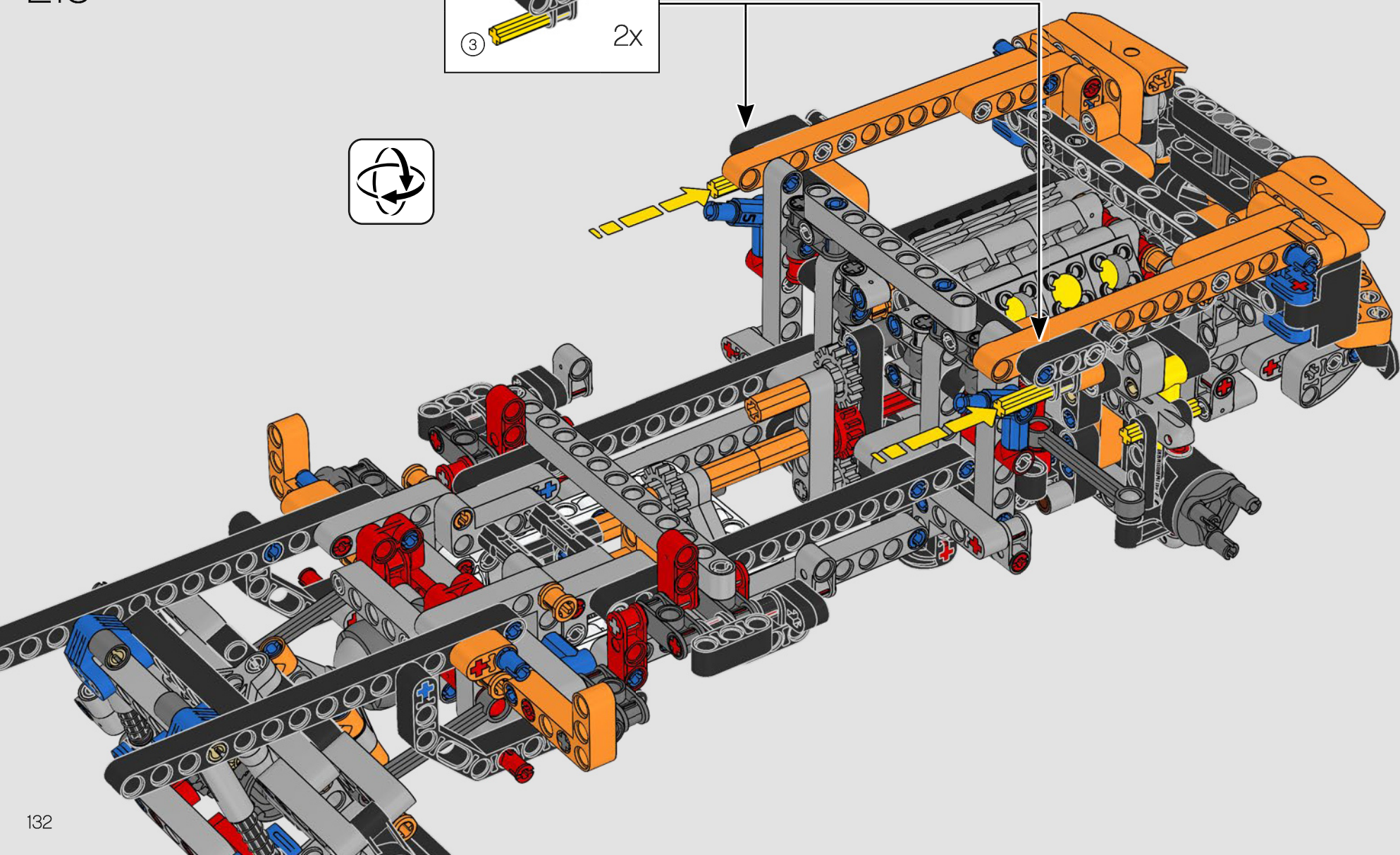


217

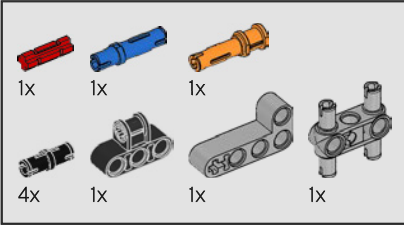
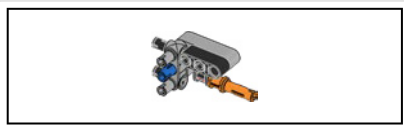




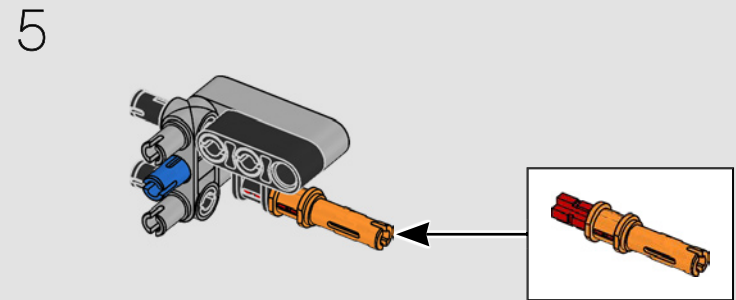
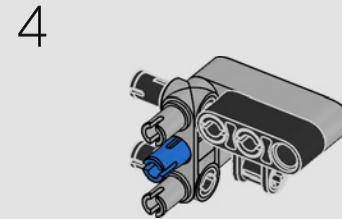
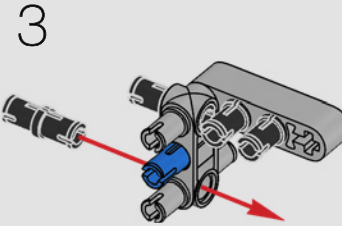
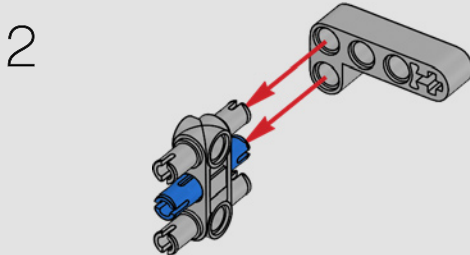
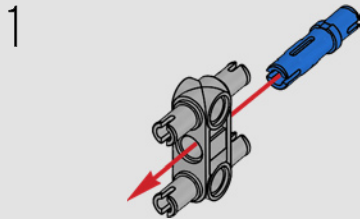
218



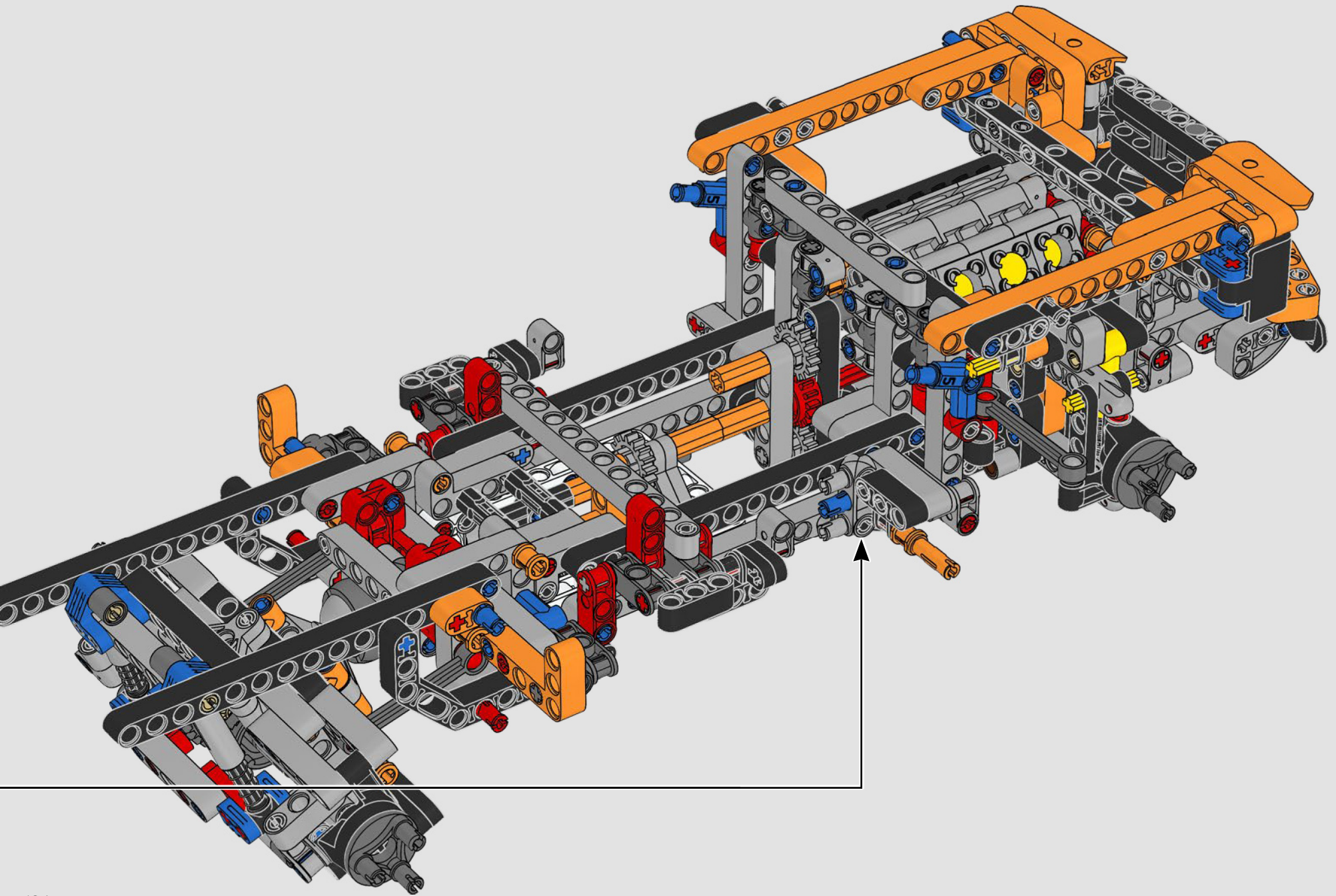


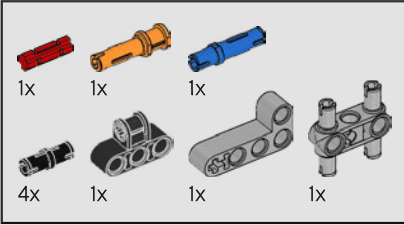
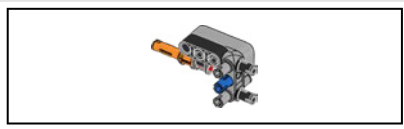


219



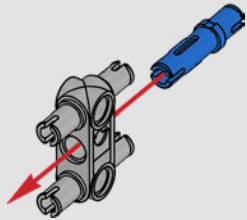




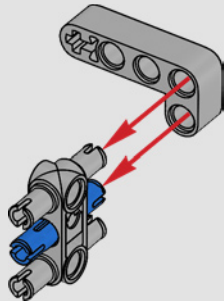


220

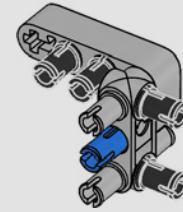
1



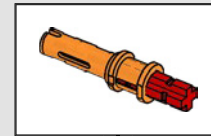
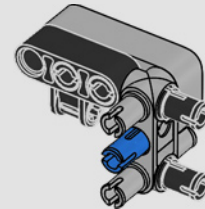
2



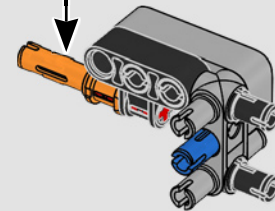
3



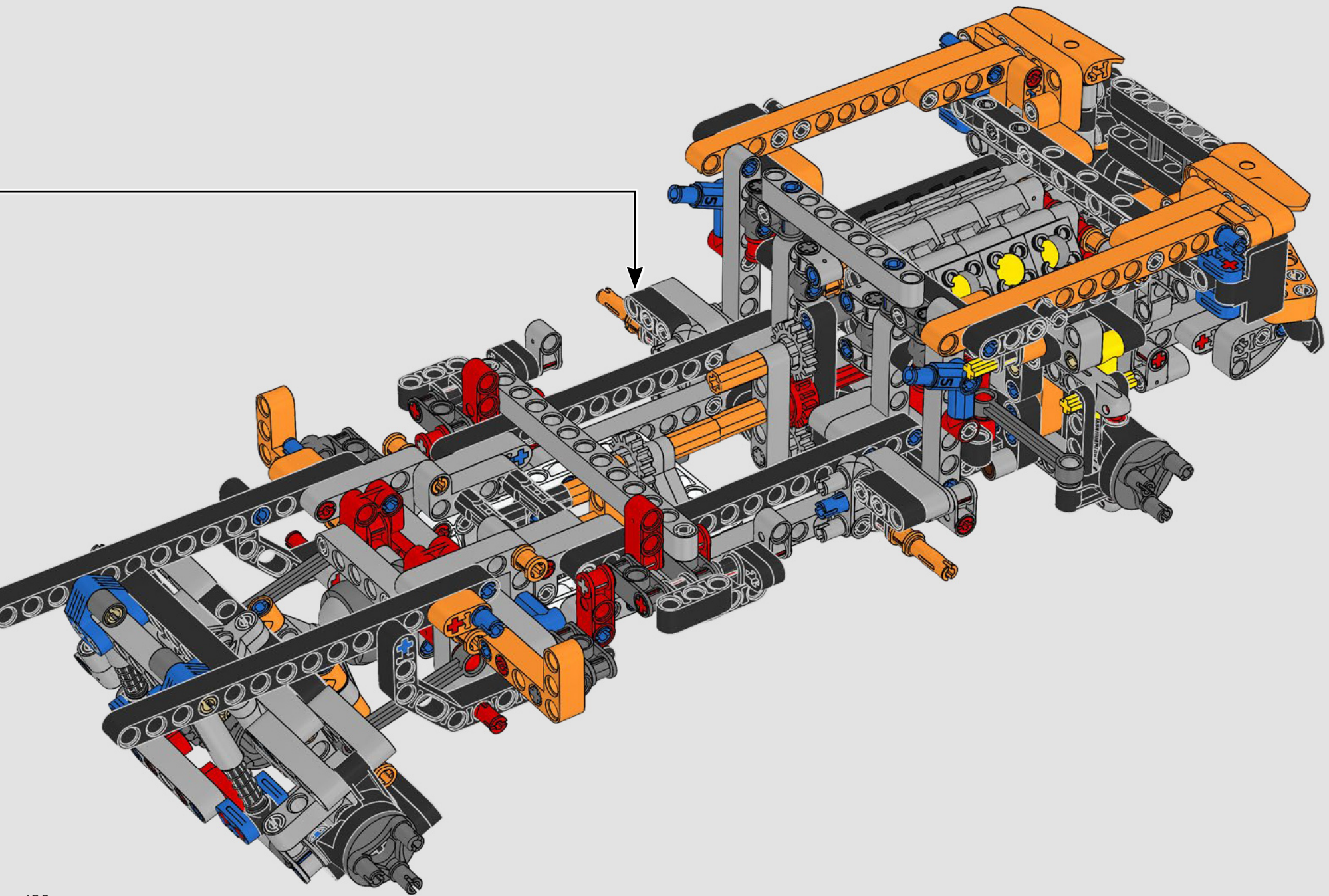
4



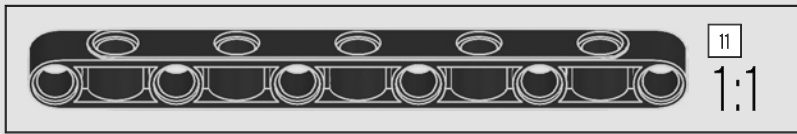
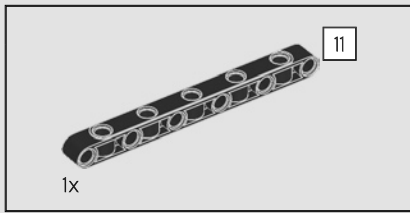
5



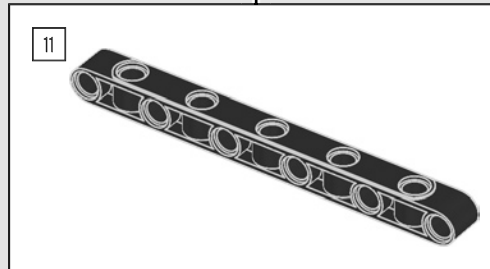
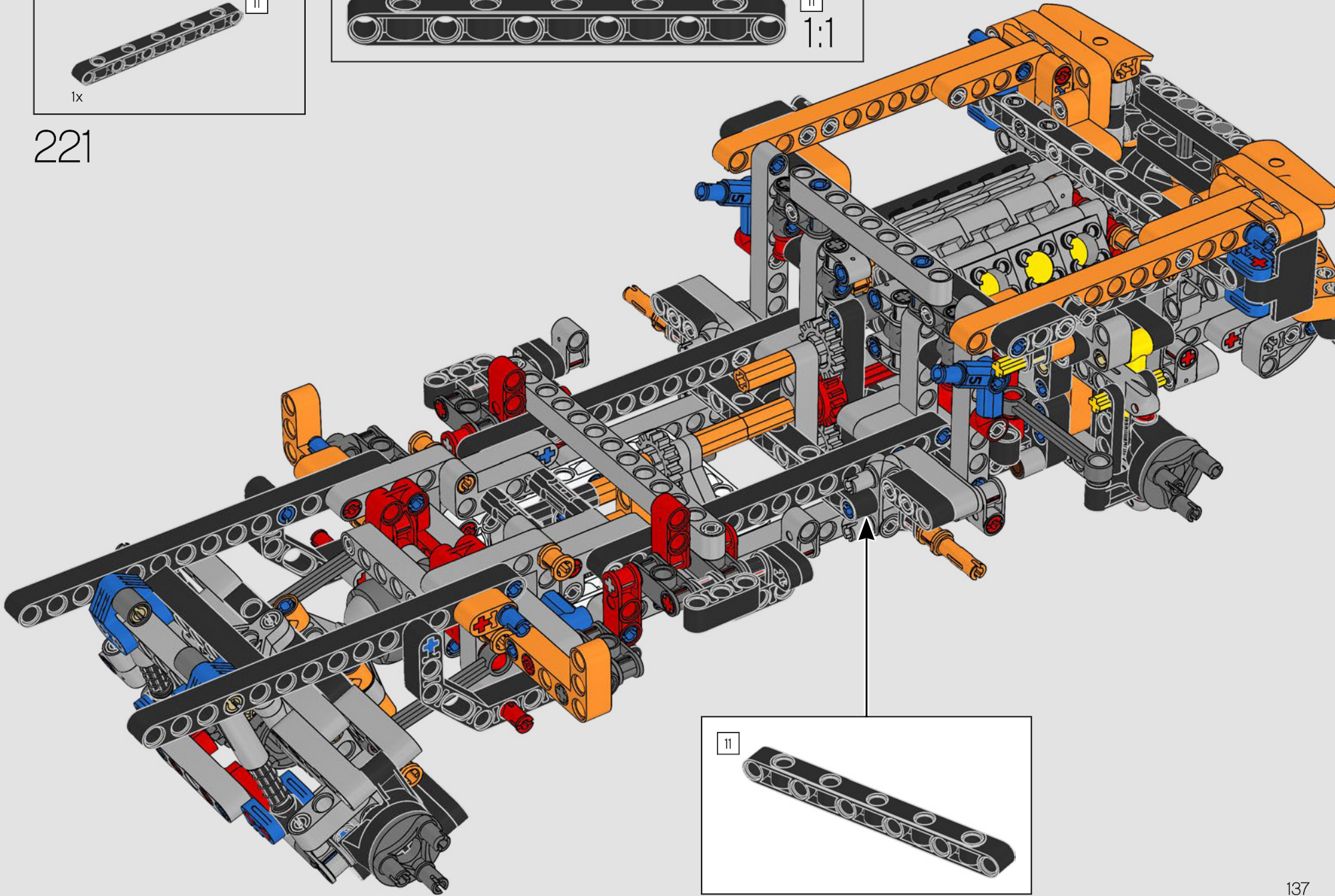




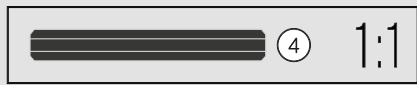
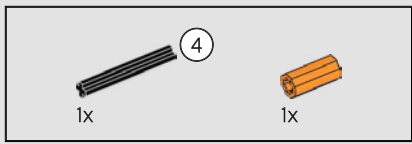




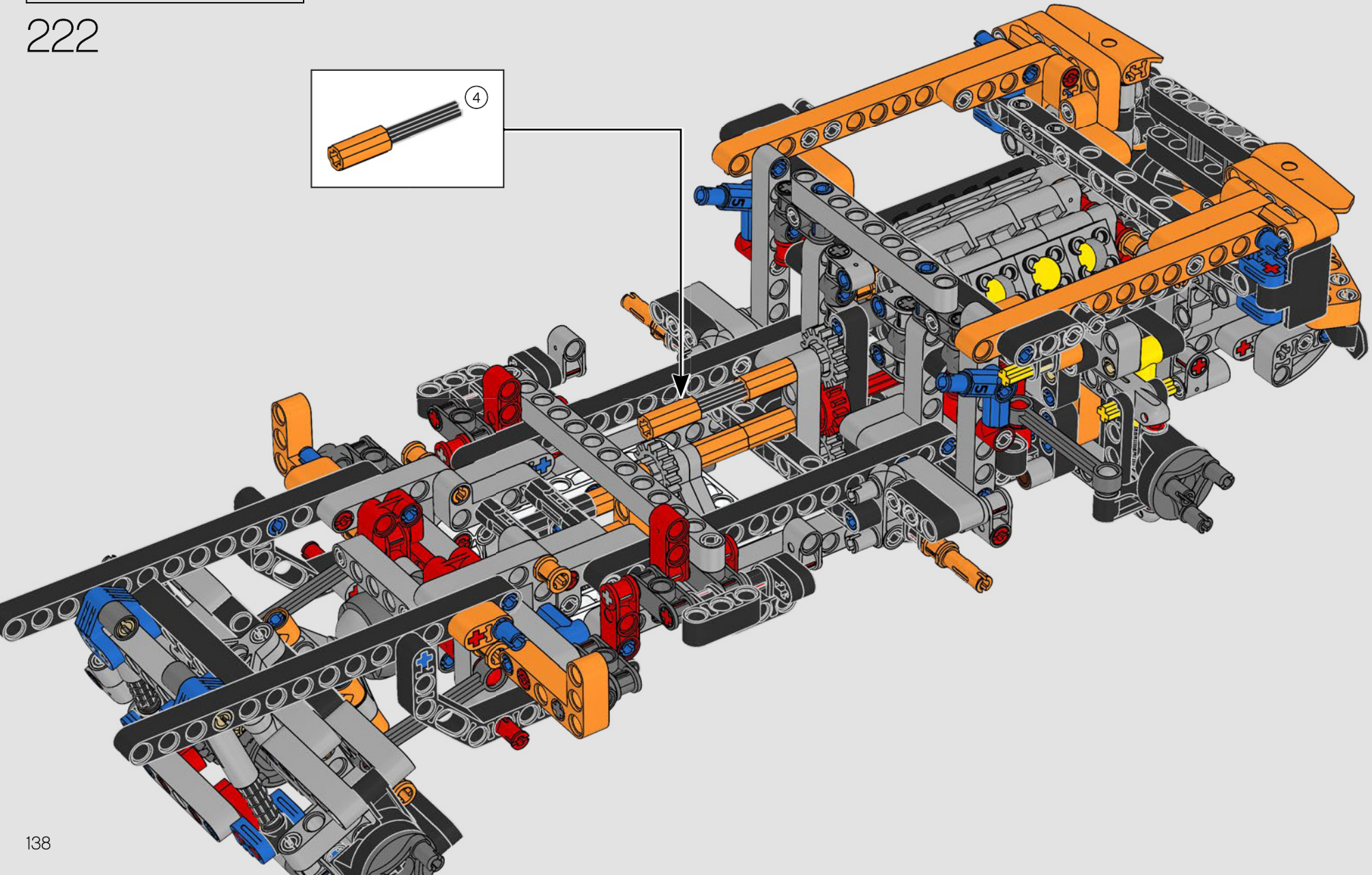
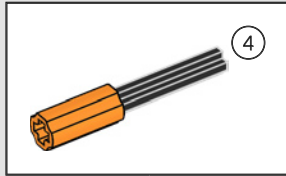
221

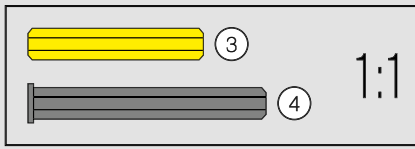
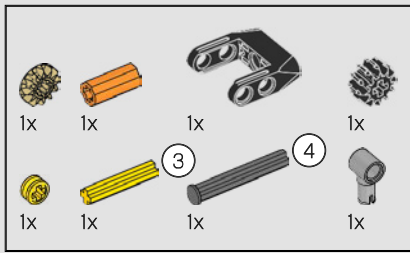




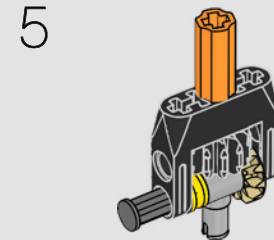
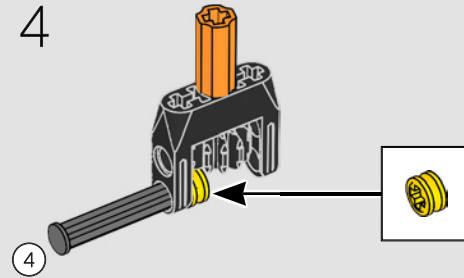
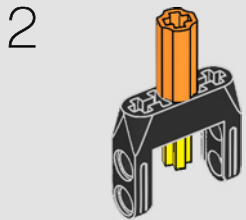
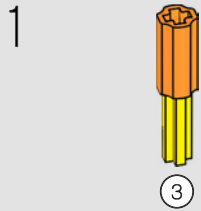


222

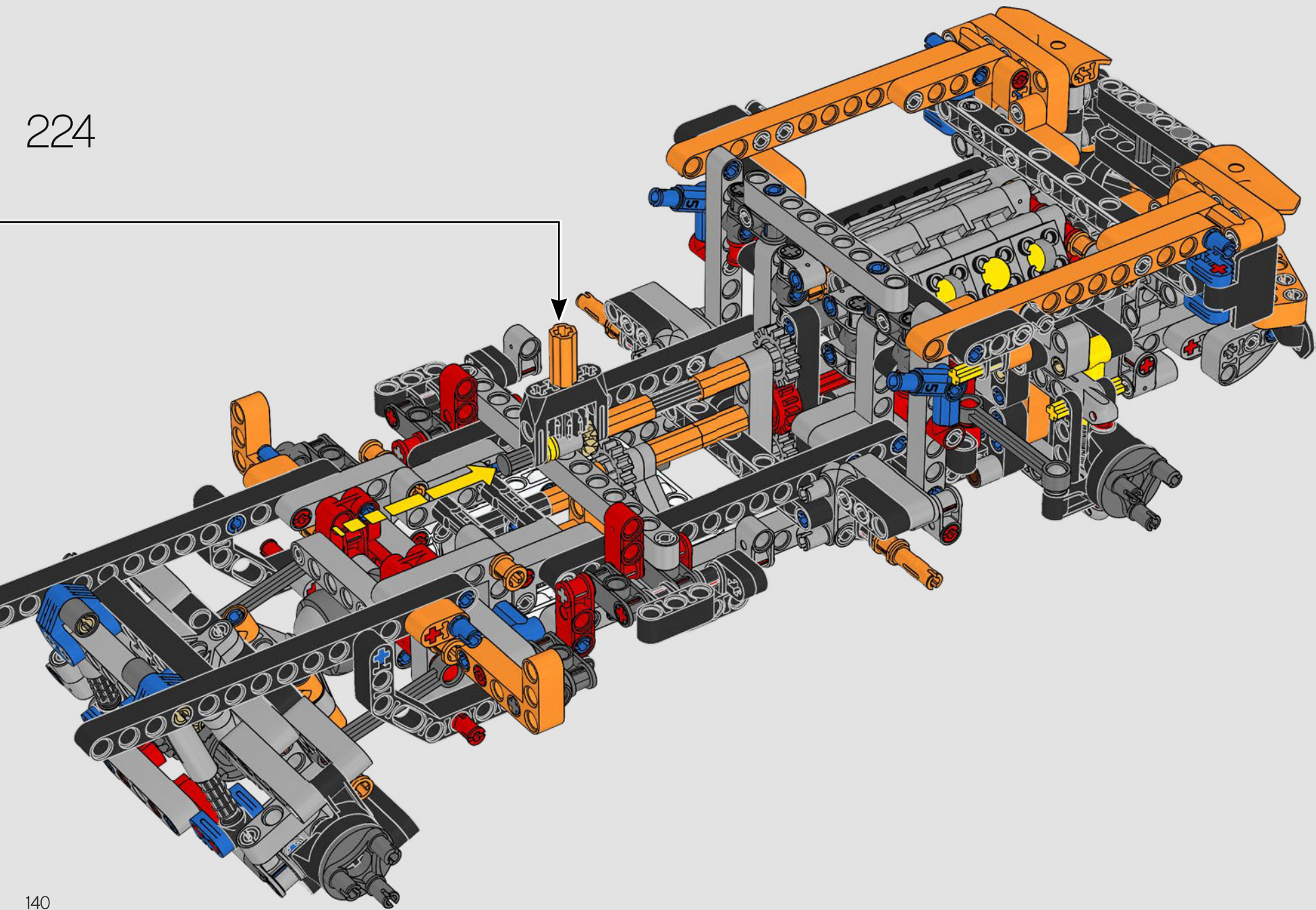


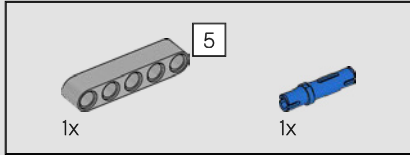
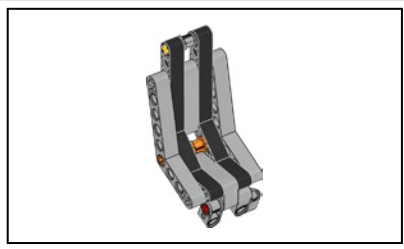


223

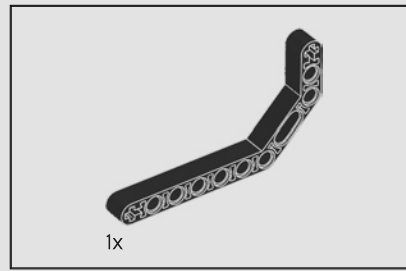
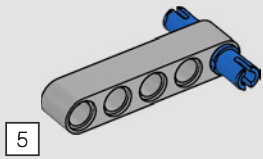




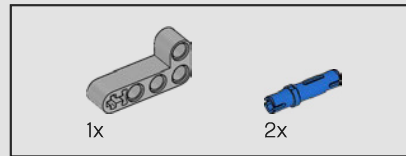
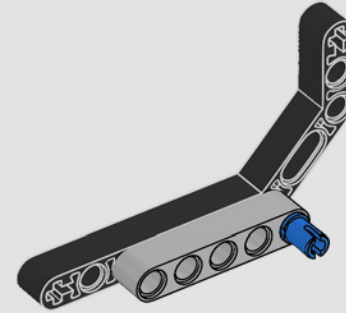




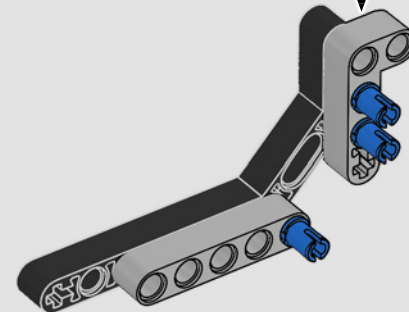
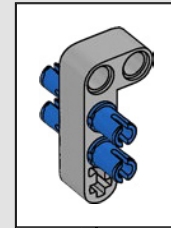
225

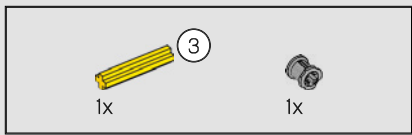


226

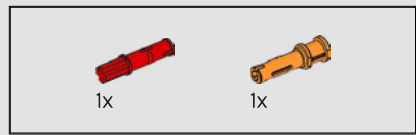
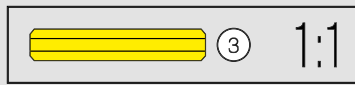
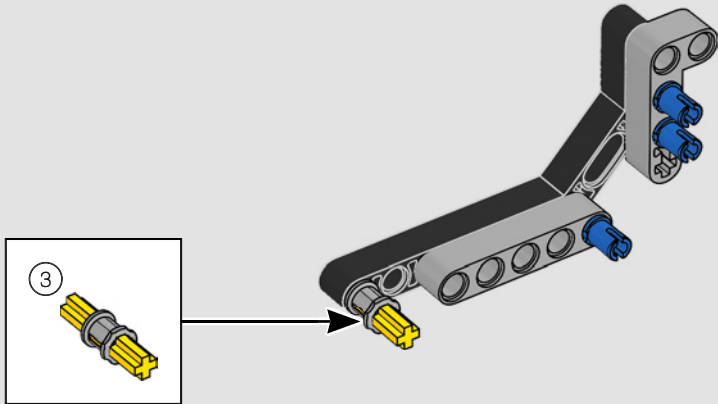


227

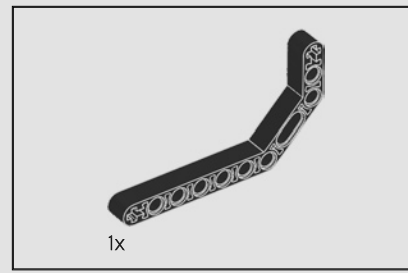
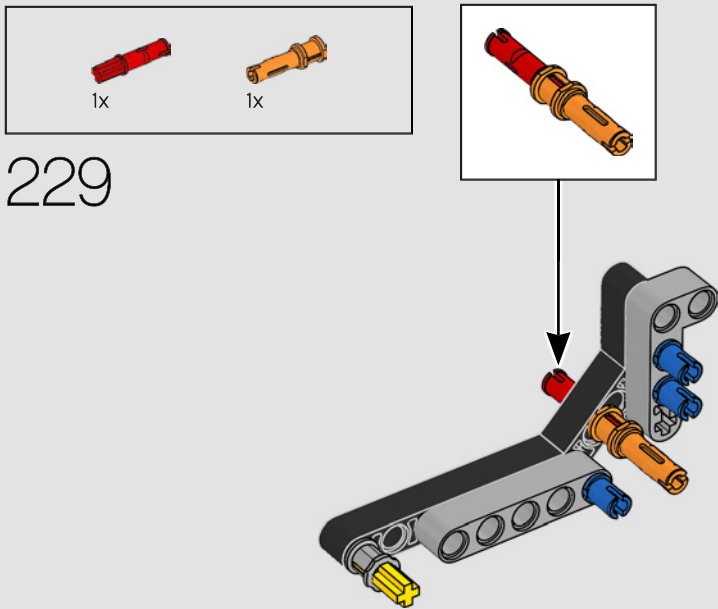




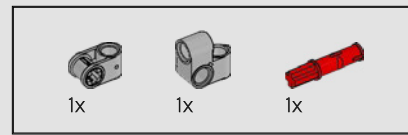
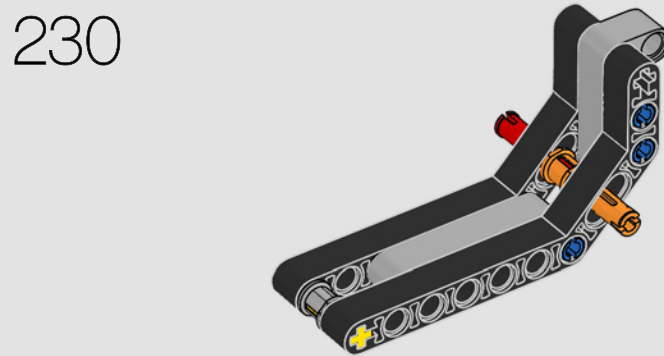
228



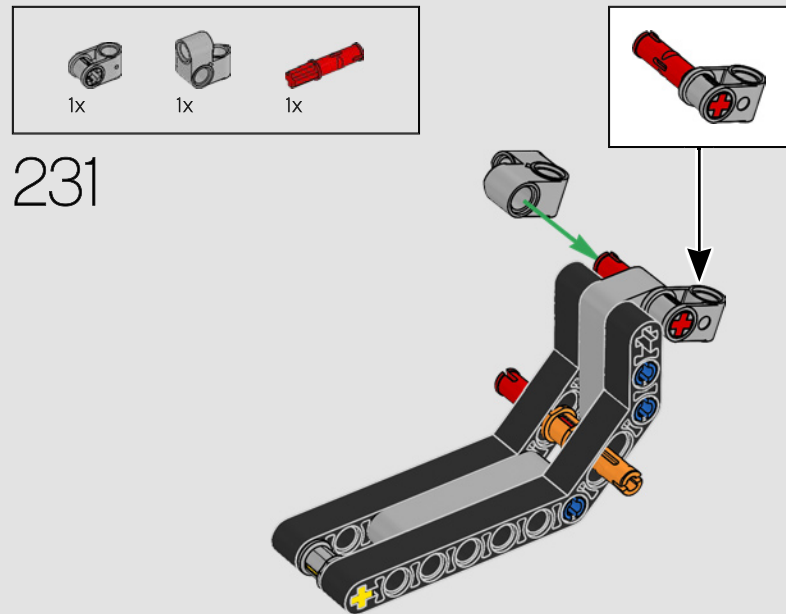
229



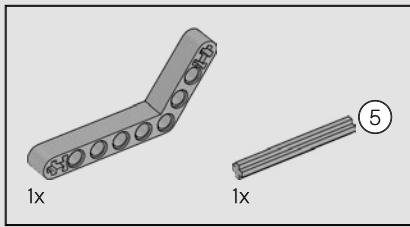
230



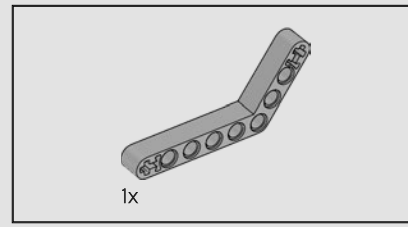
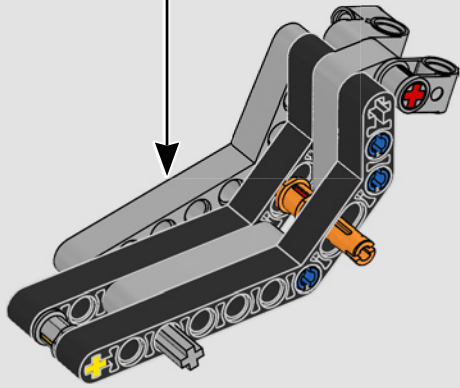
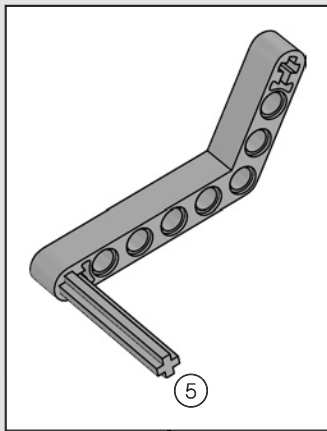
231



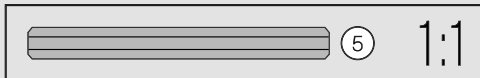
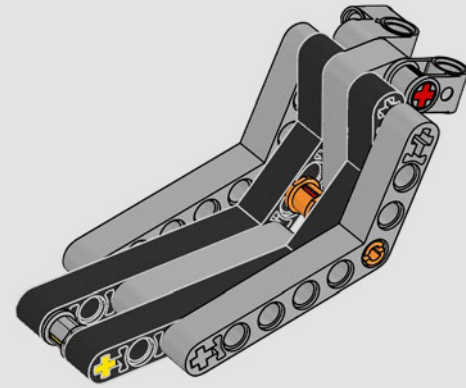




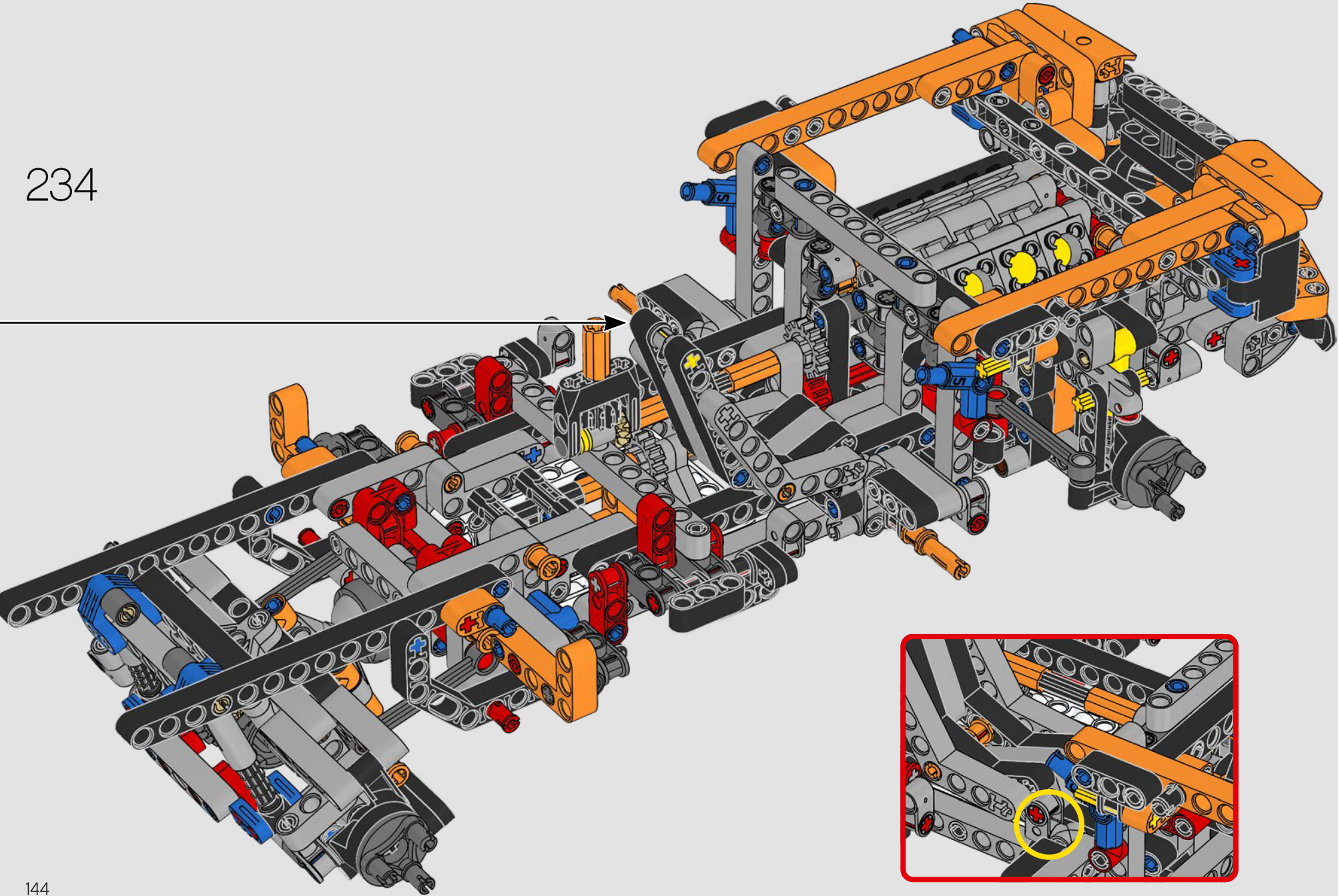
232

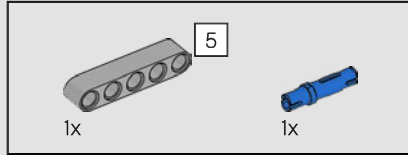
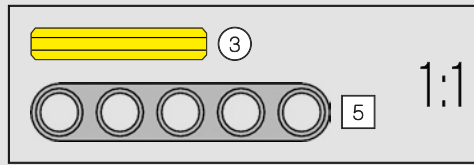
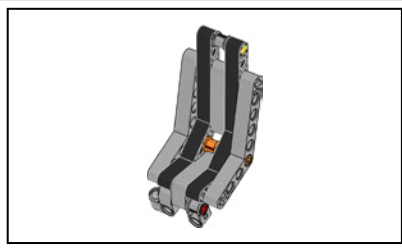


233

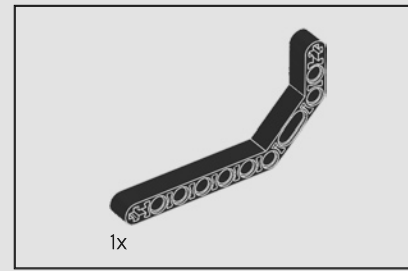
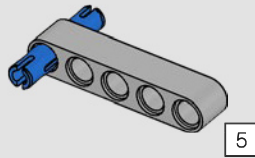


234

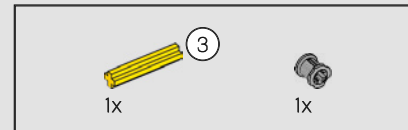
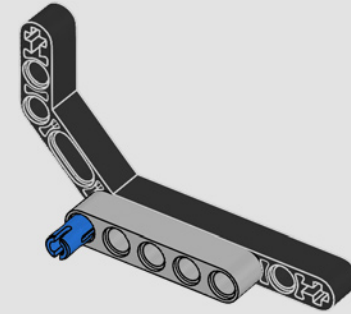




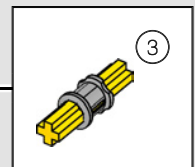
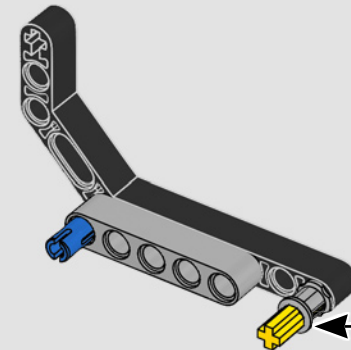
235



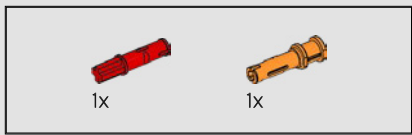
236



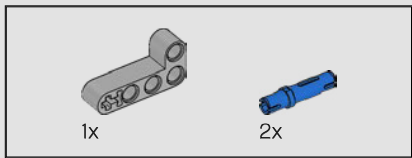
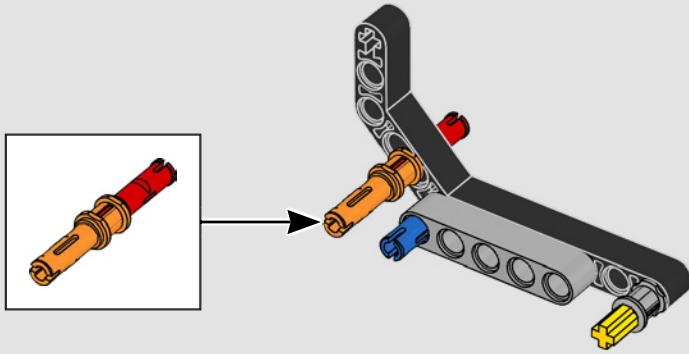
237



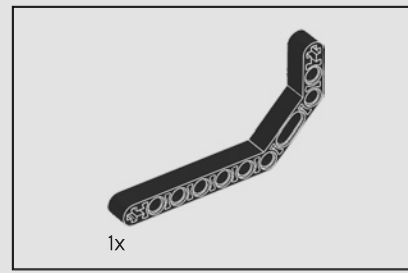
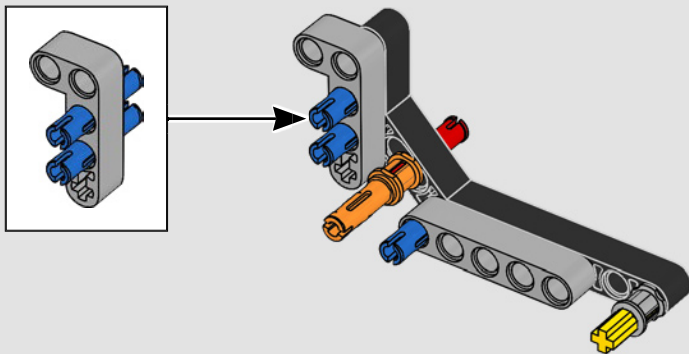




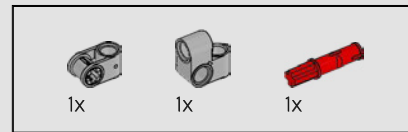
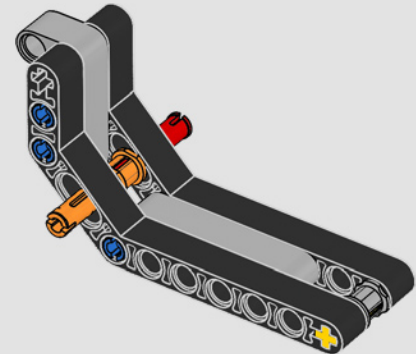
238



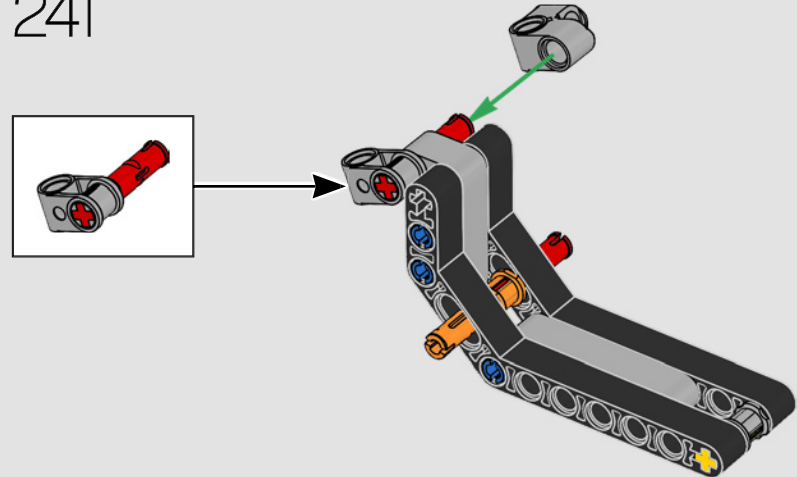
239

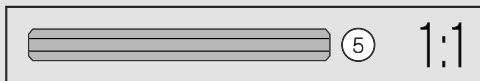
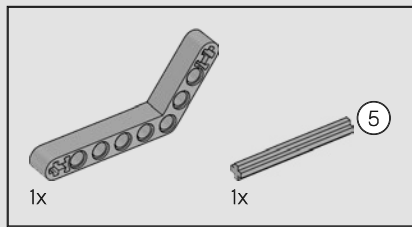


240

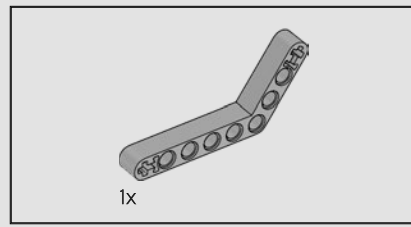
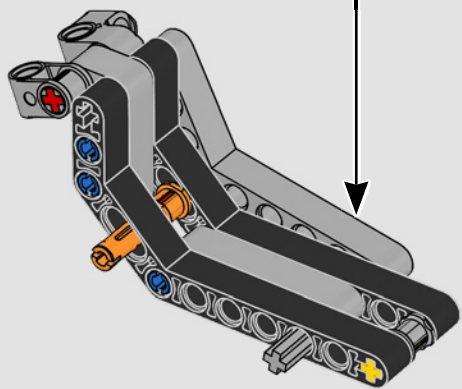
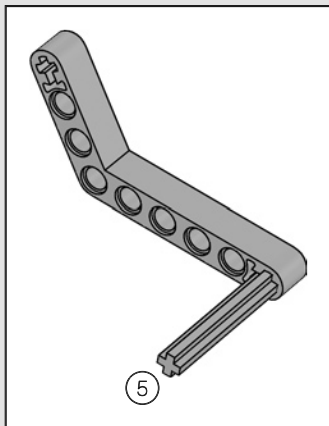


241

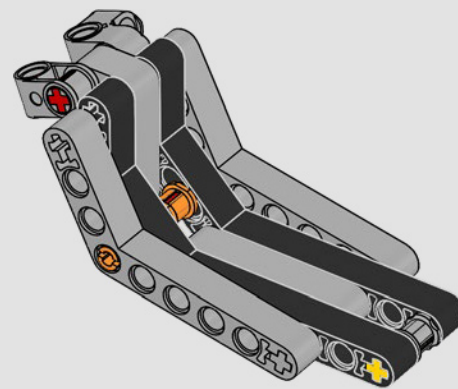


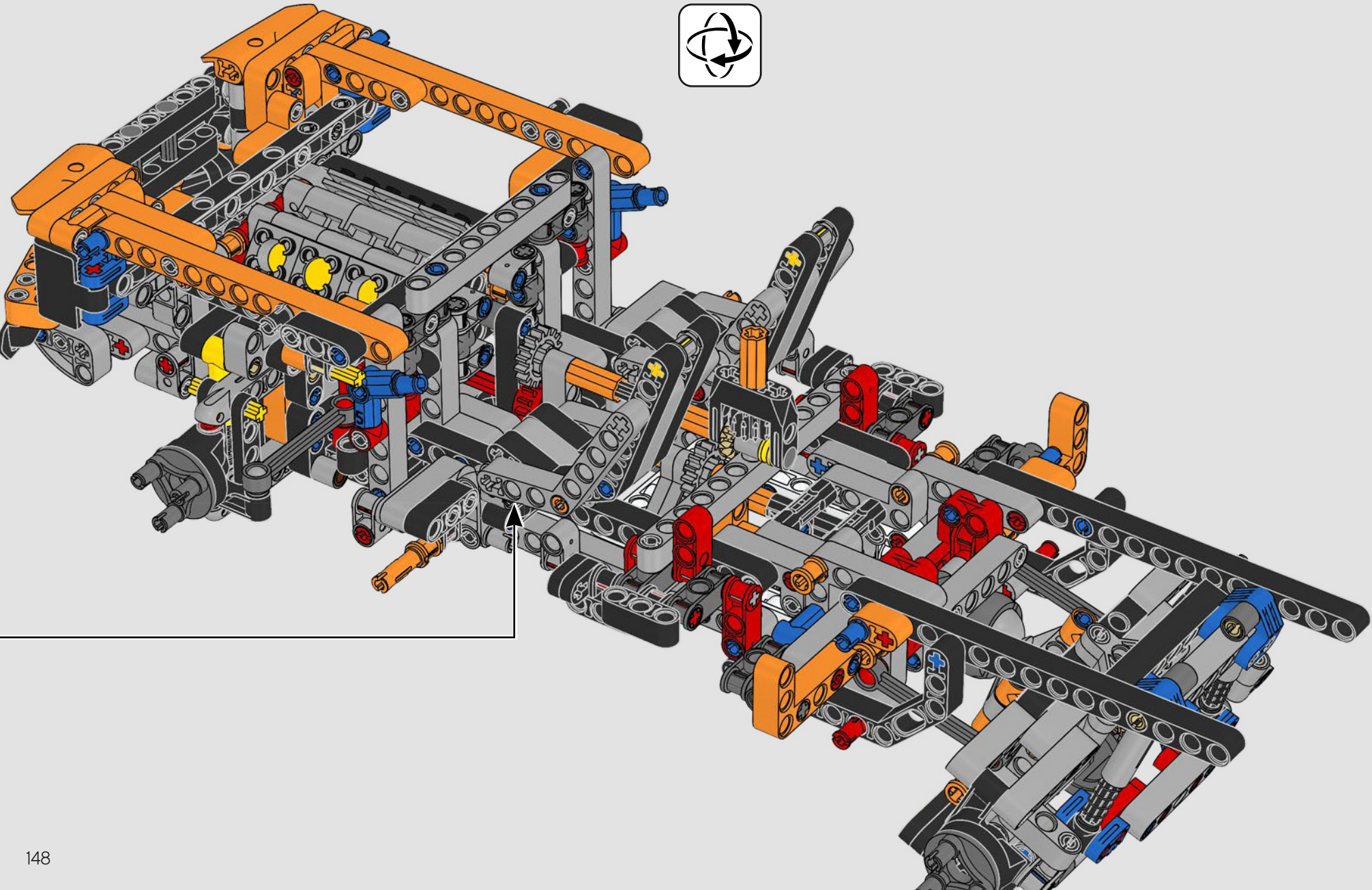
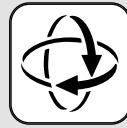


242



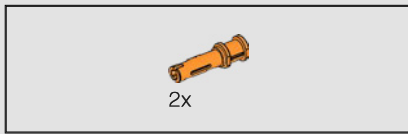
243



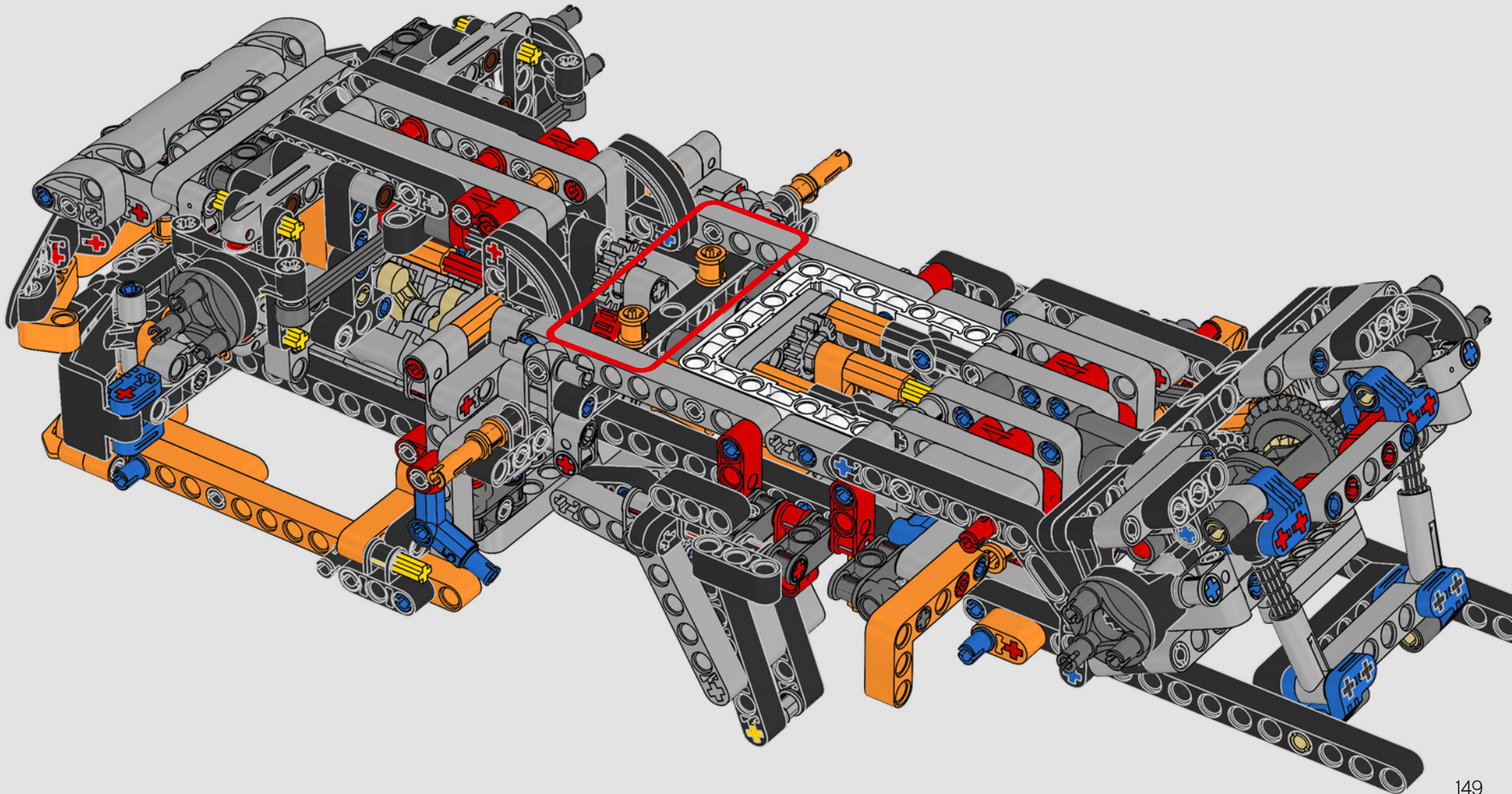


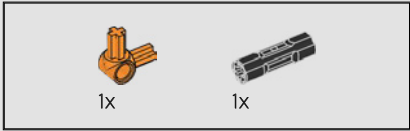
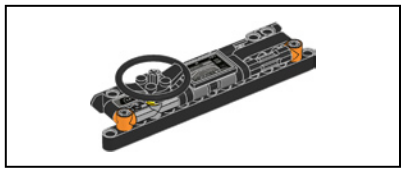


*The fully redesigned 2021 F-150 Raptor boosts its capability with all-new five-link rear suspension to better maintain axle position on rough terrain.*

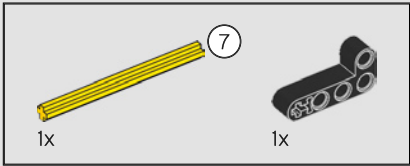
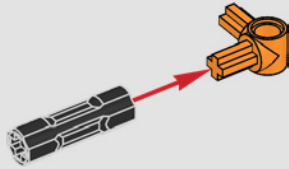


245

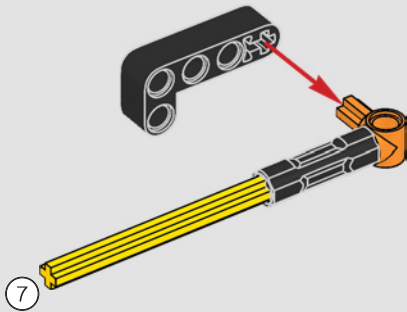




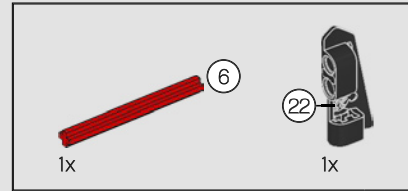
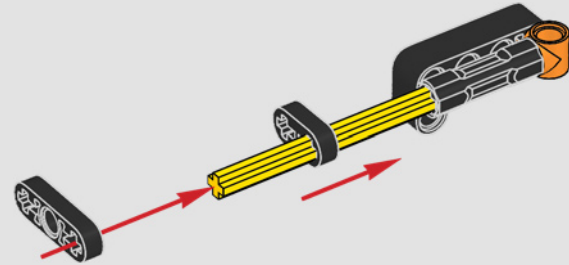
246



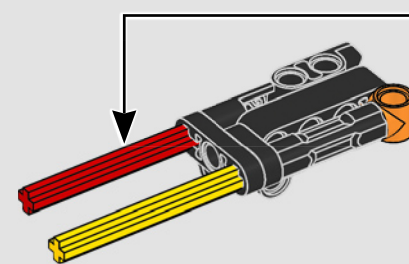
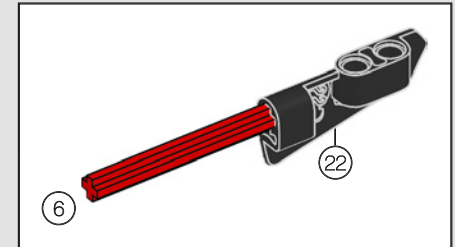
247

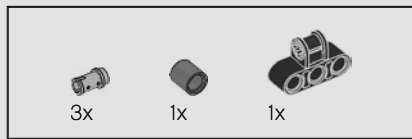


248

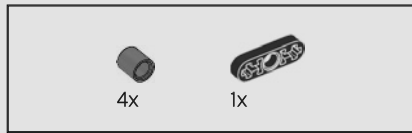
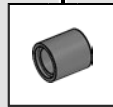
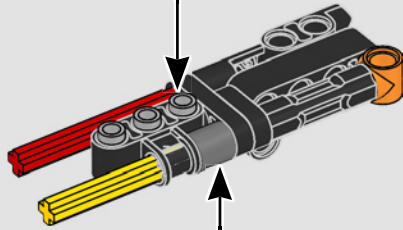
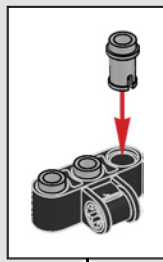


249

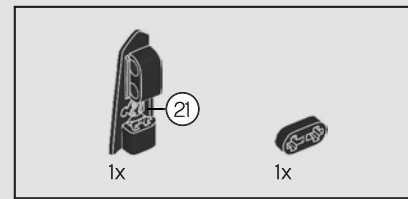
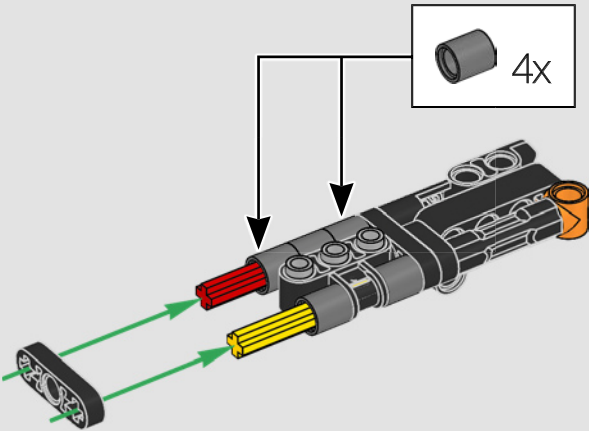




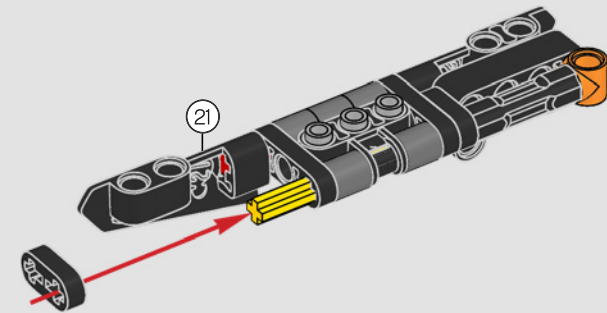
250



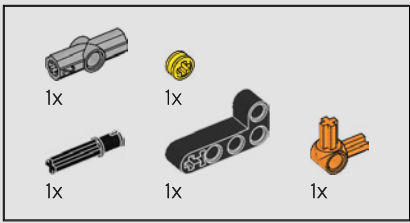
251



252

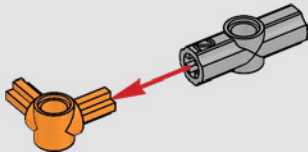




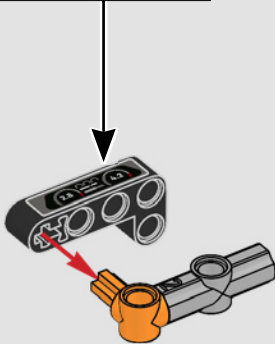
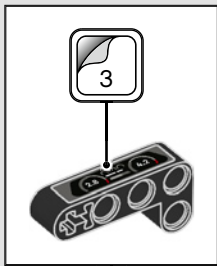


253

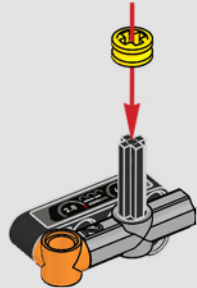
1



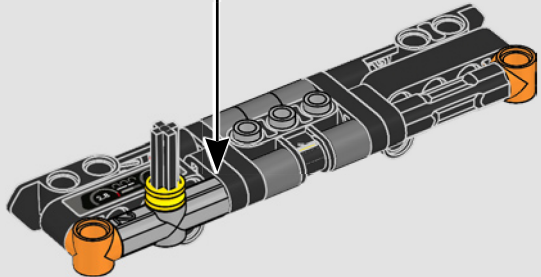
2

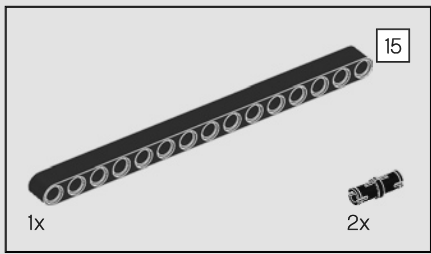


3

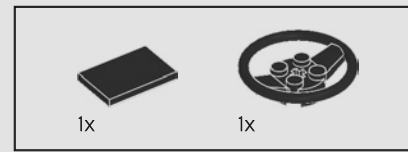
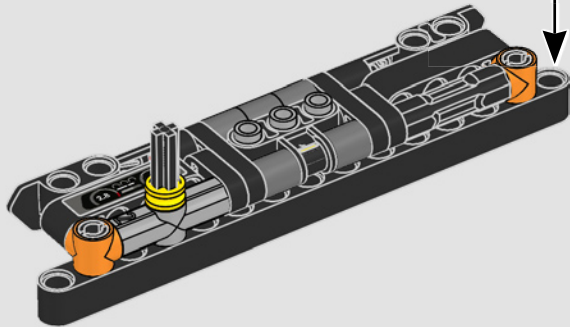
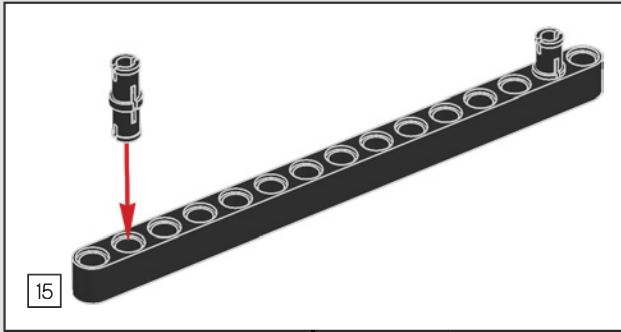


254

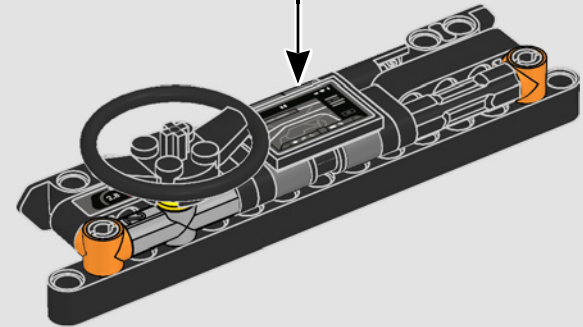
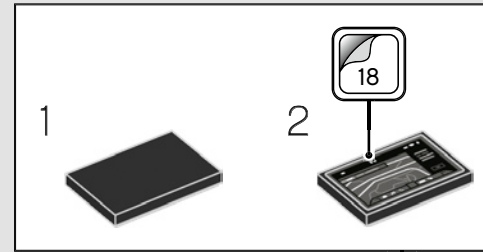


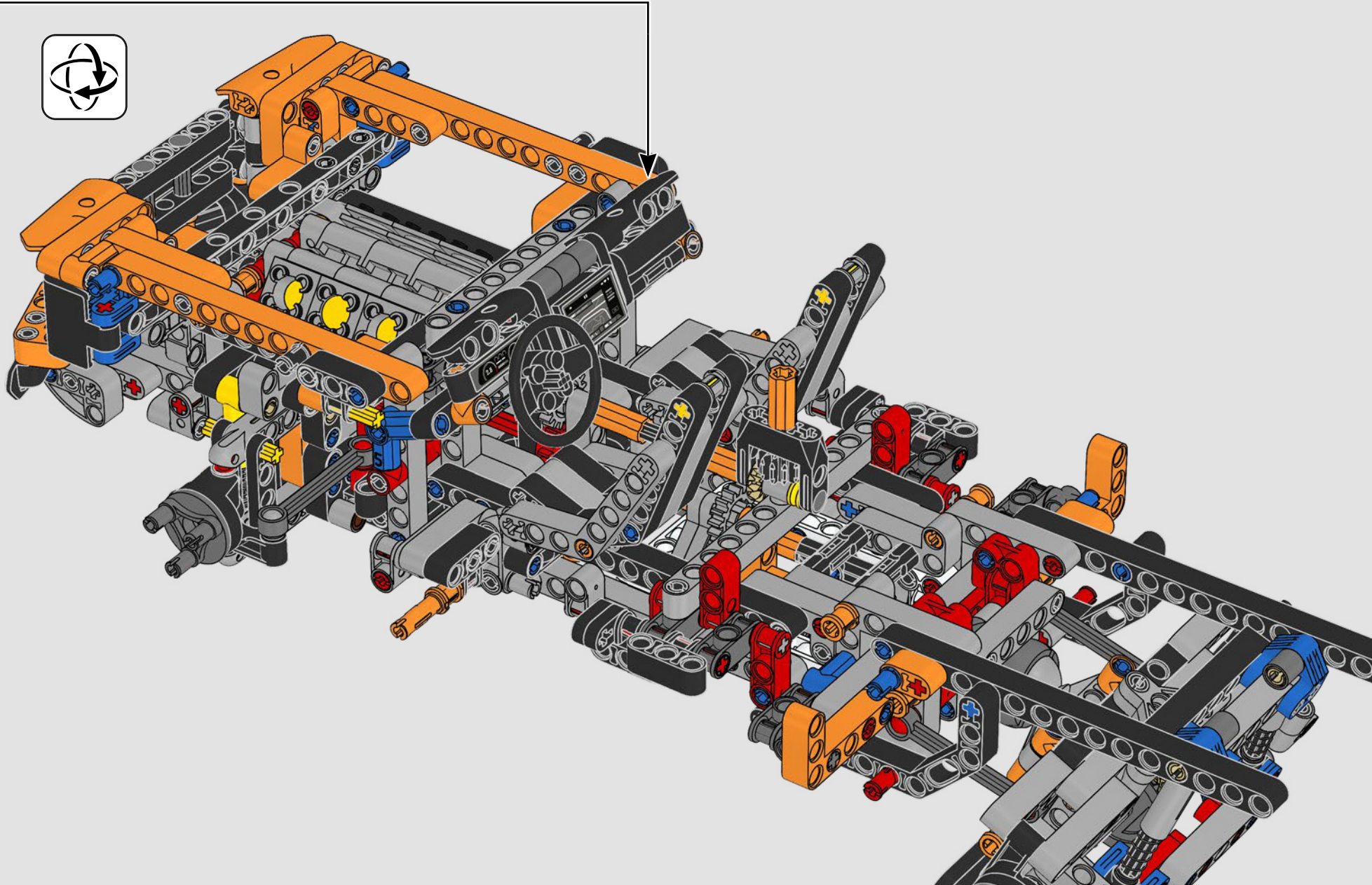


255

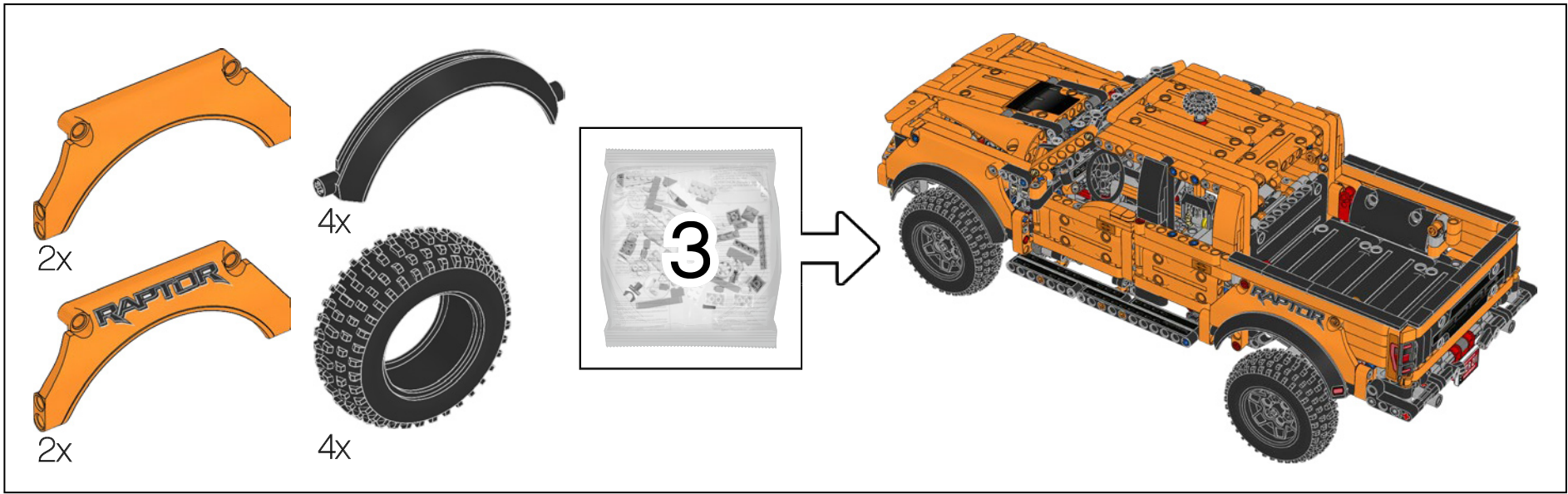


256





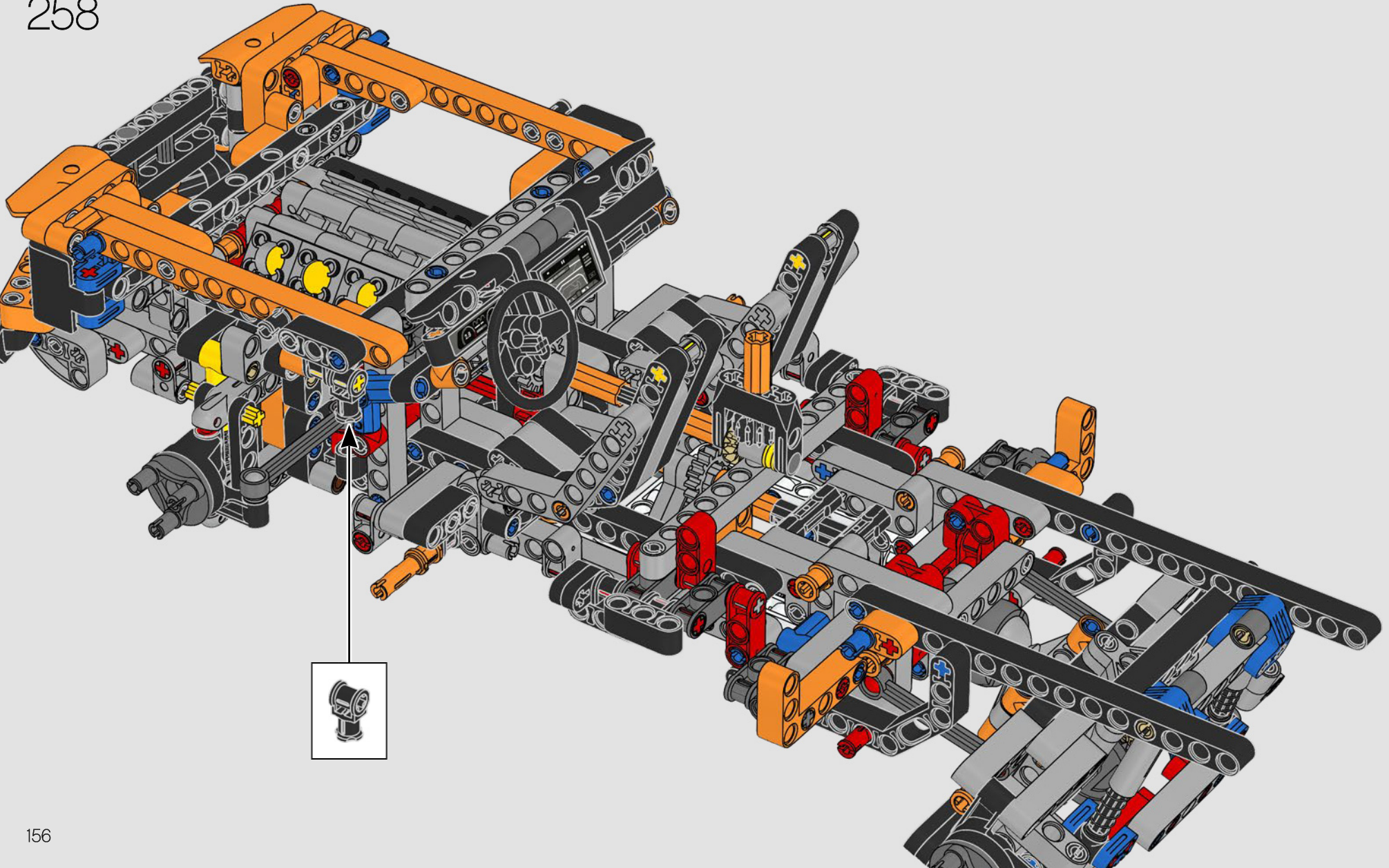




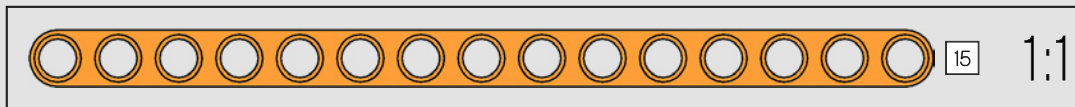
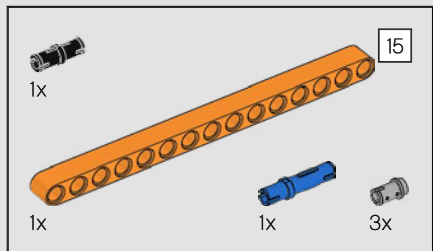


2x

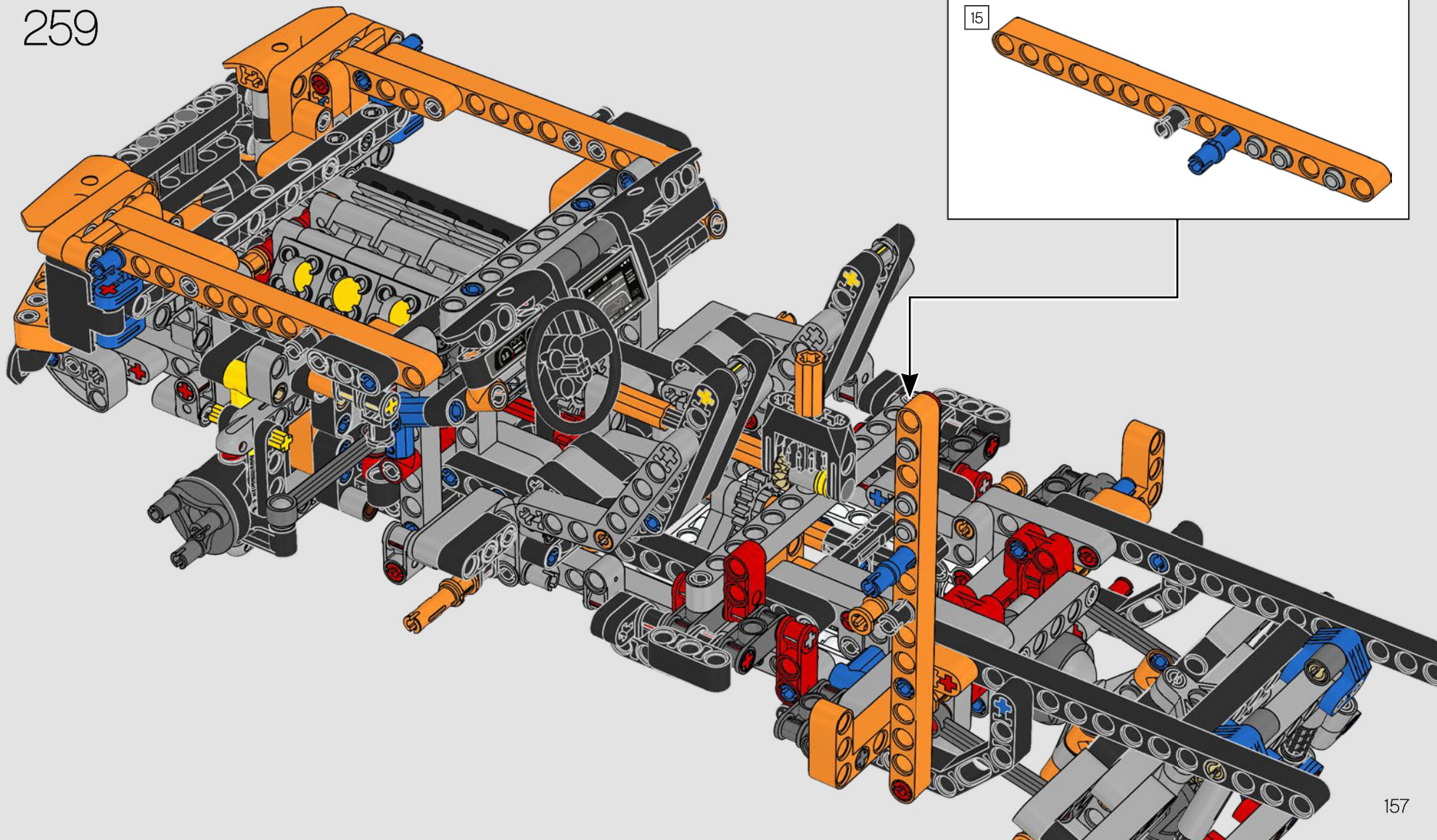
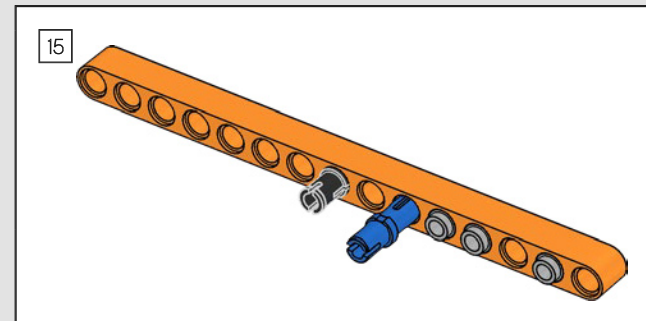
258



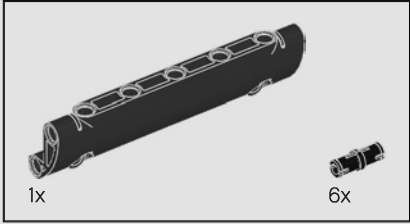
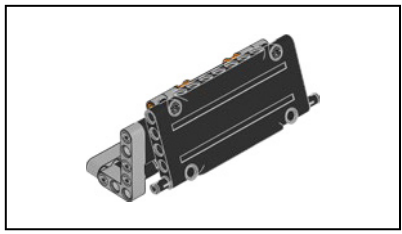




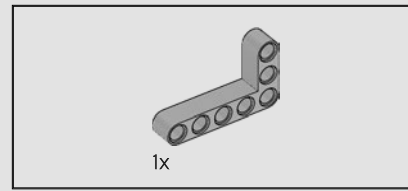
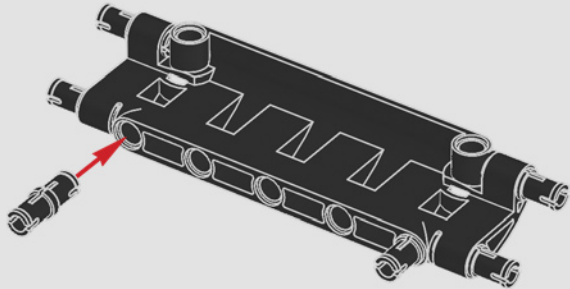
259



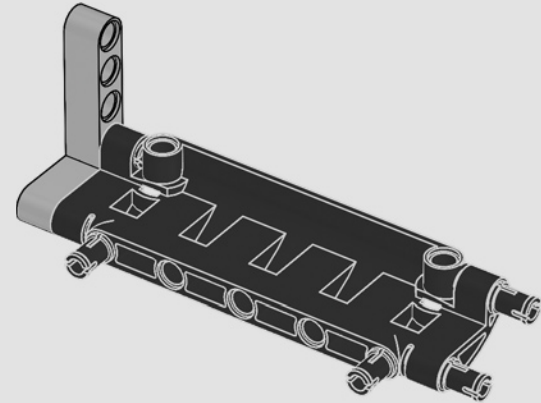


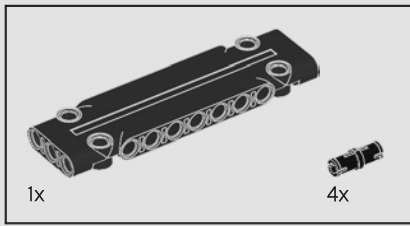


260

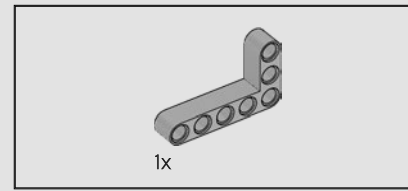
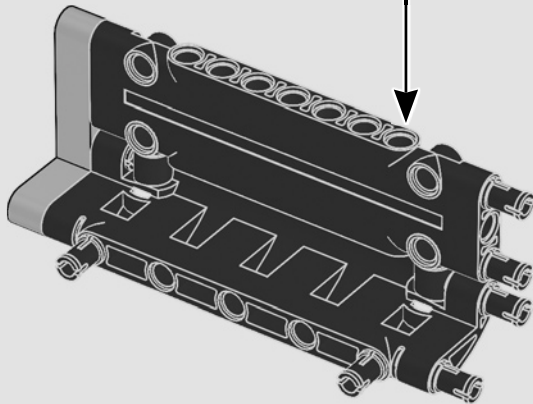
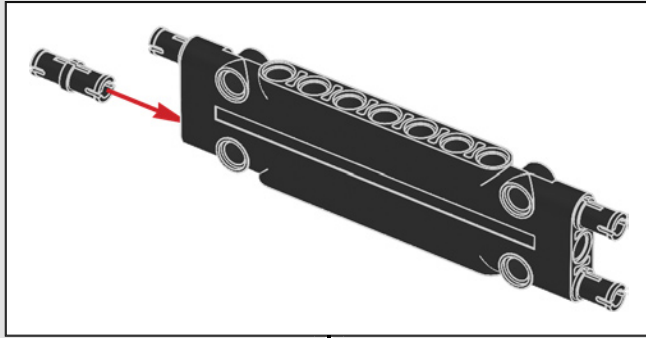


261

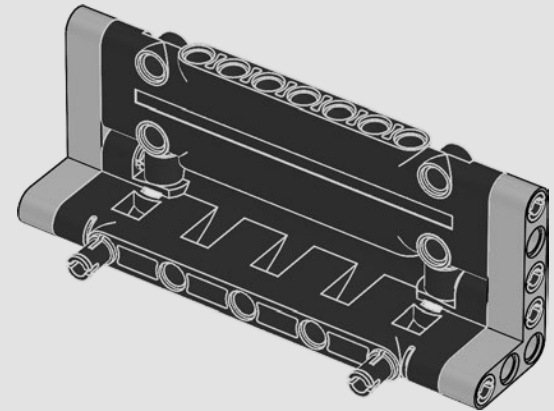


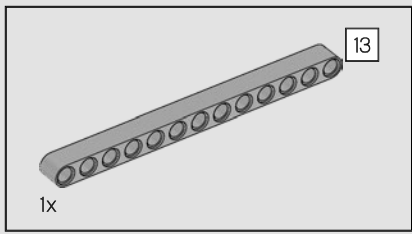


262

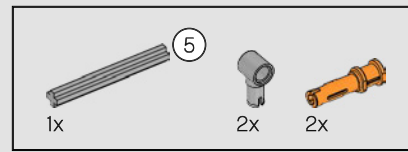
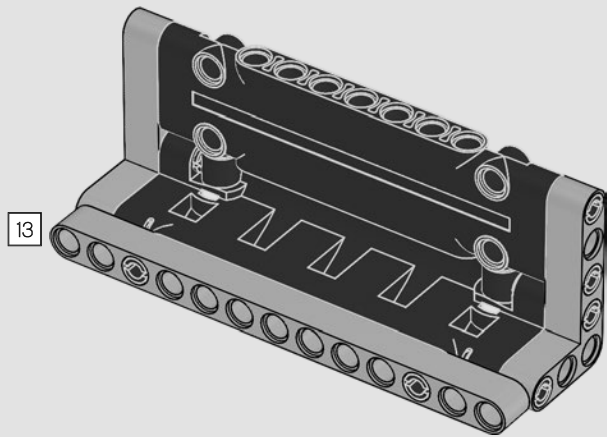


263

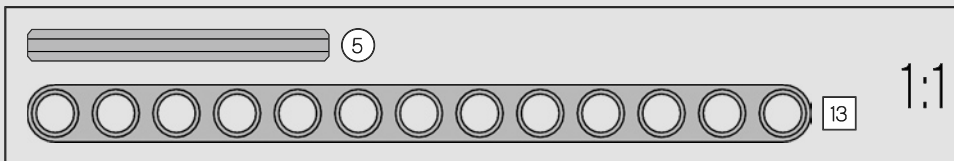
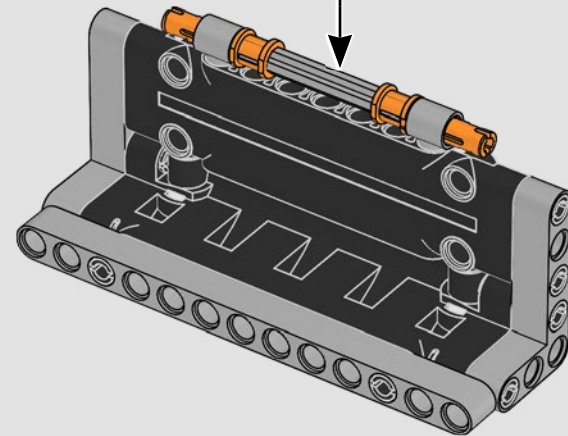
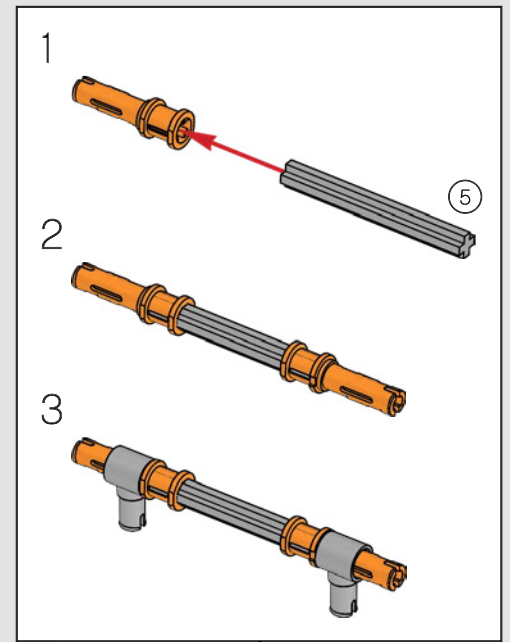




264



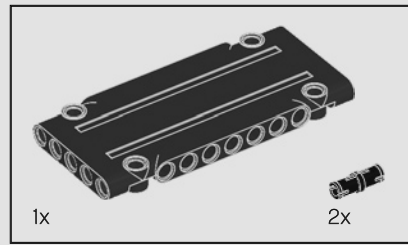
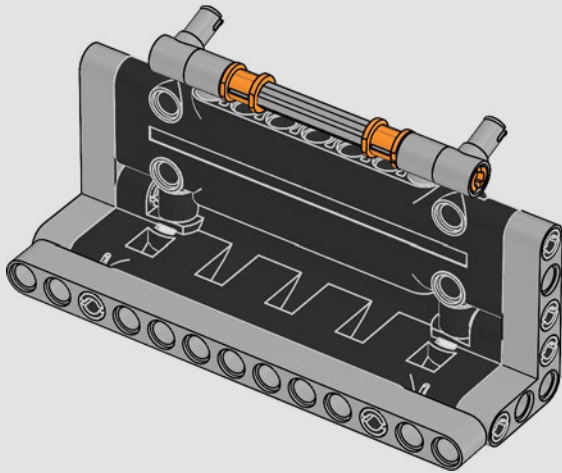
265



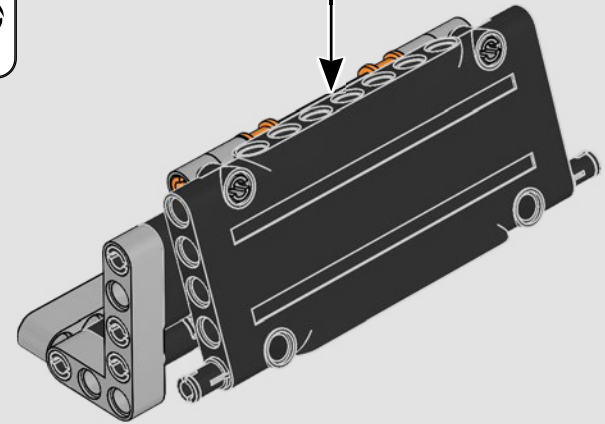
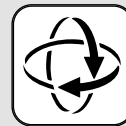
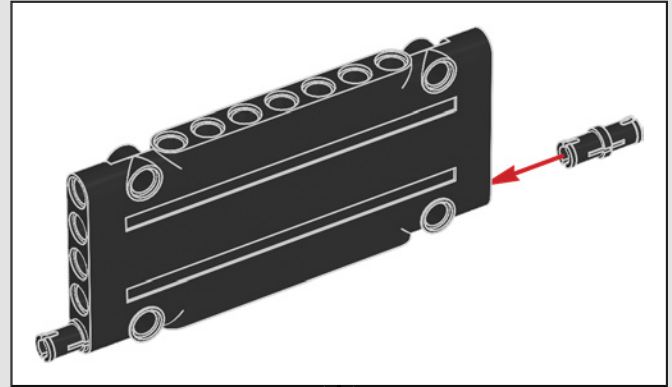




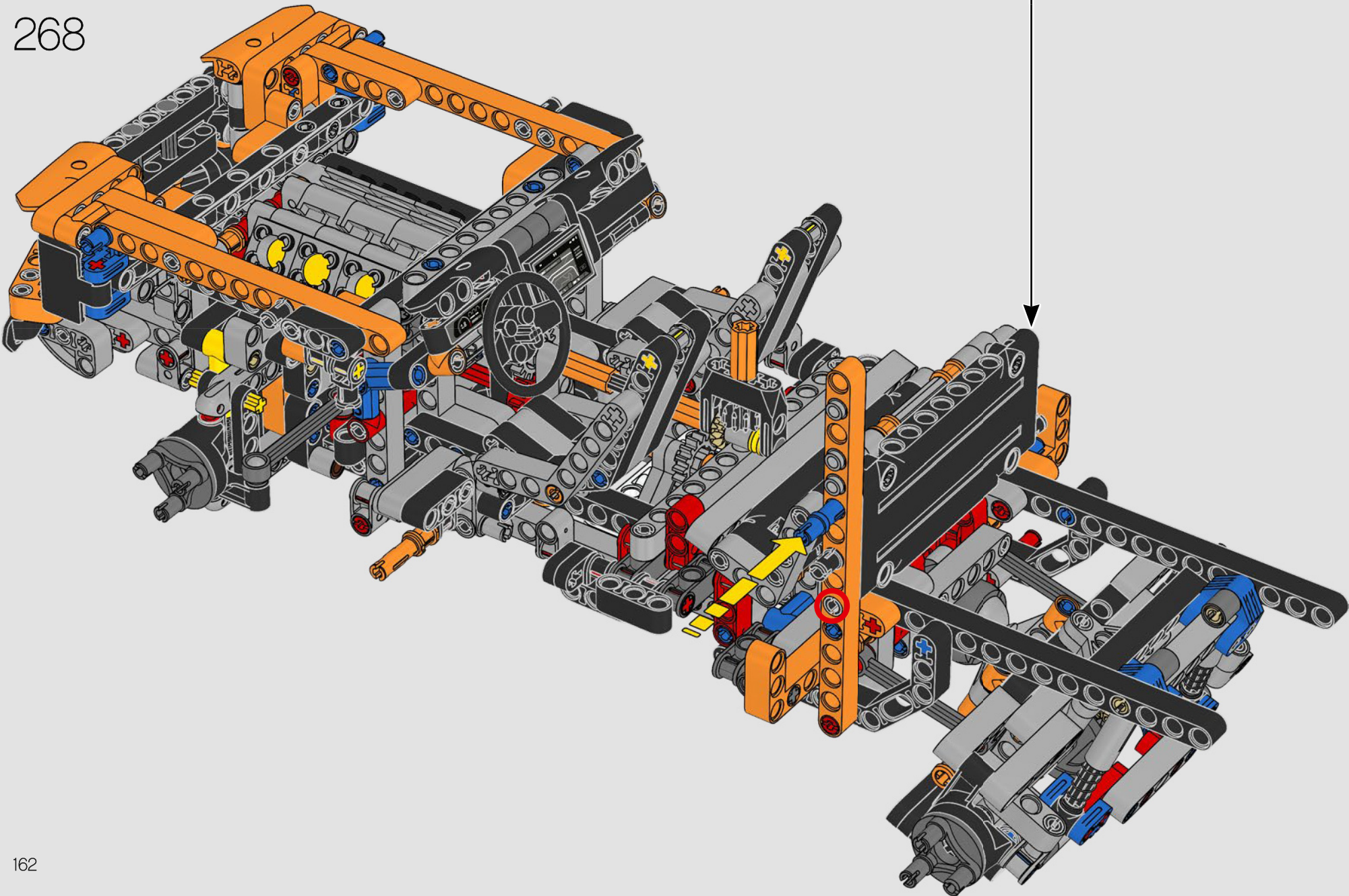
266



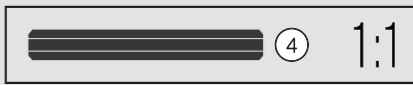
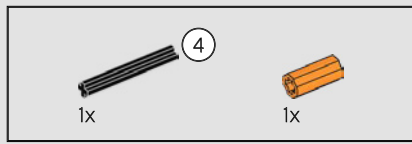
267



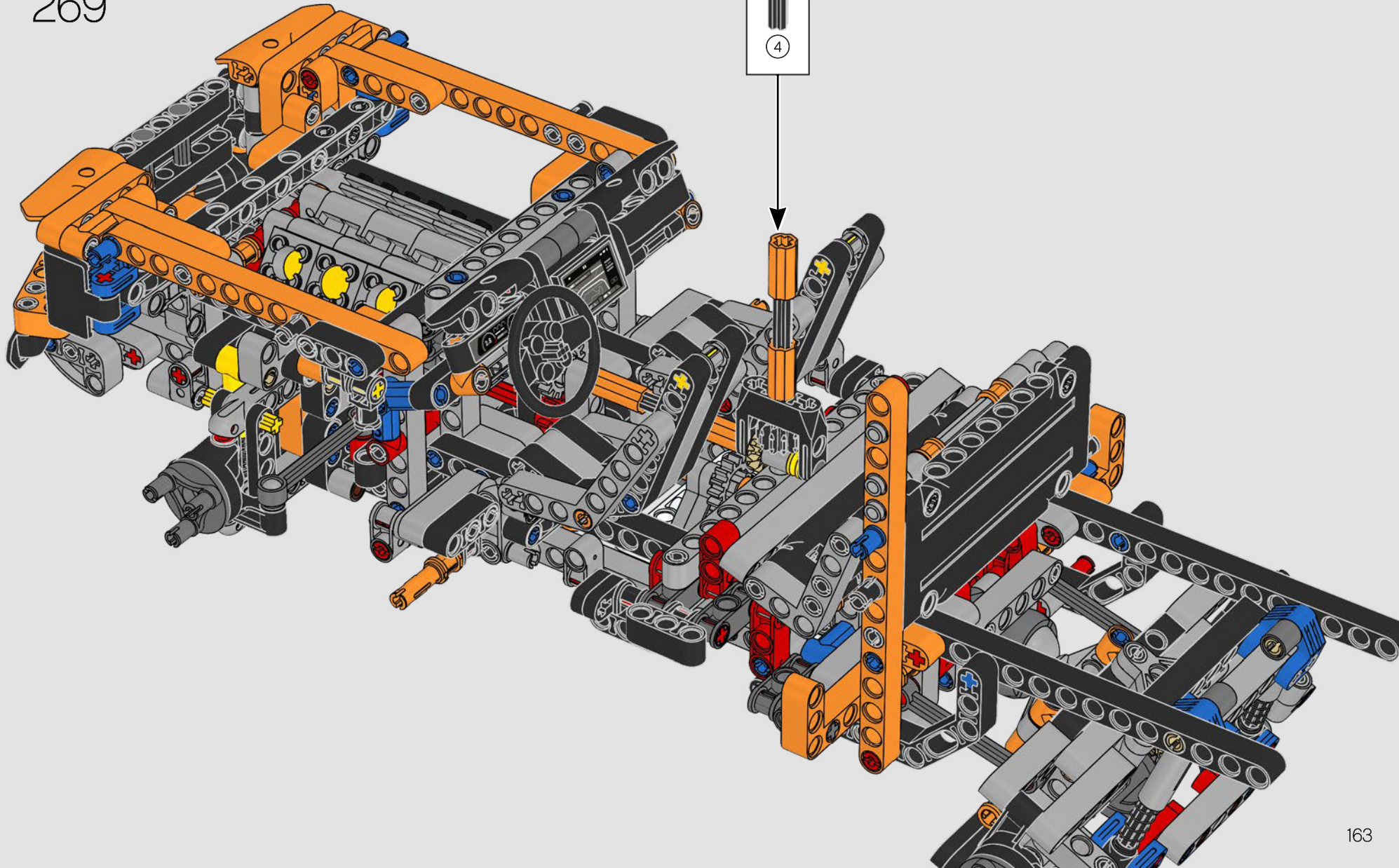
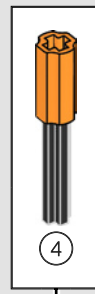
268



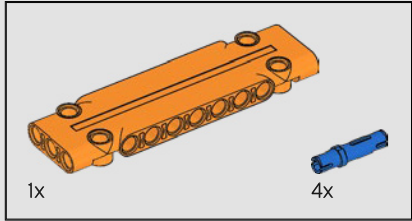
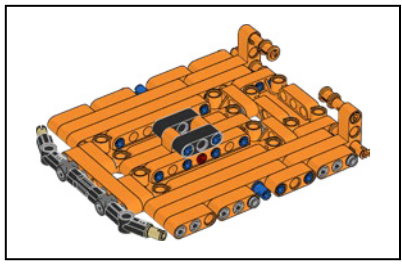




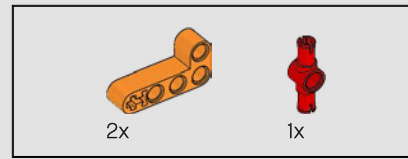
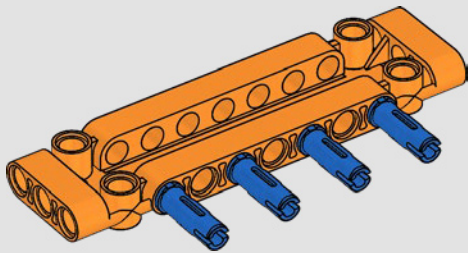
269



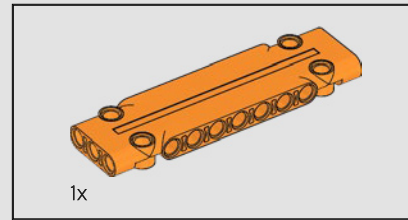
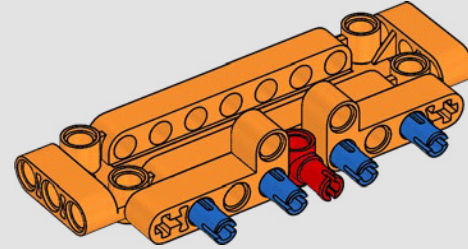




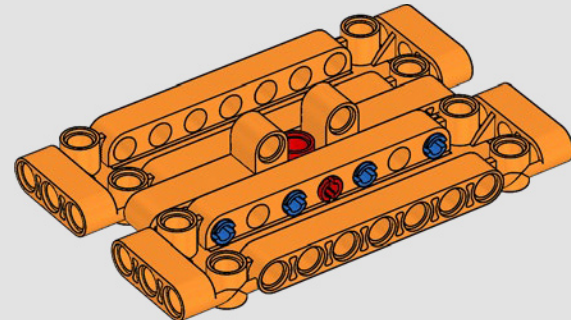
270

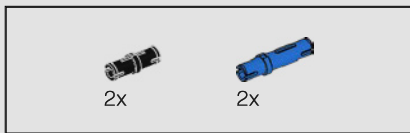


271

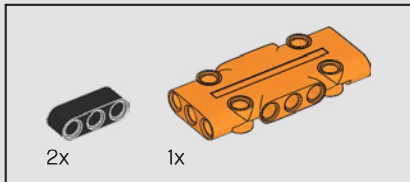
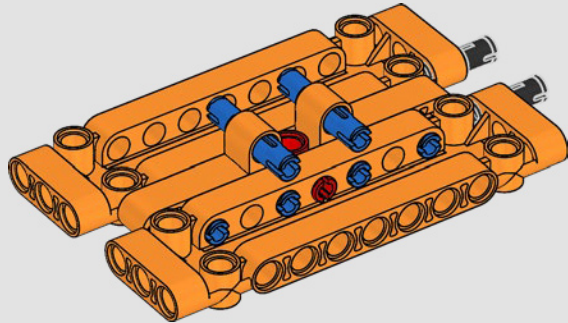


272

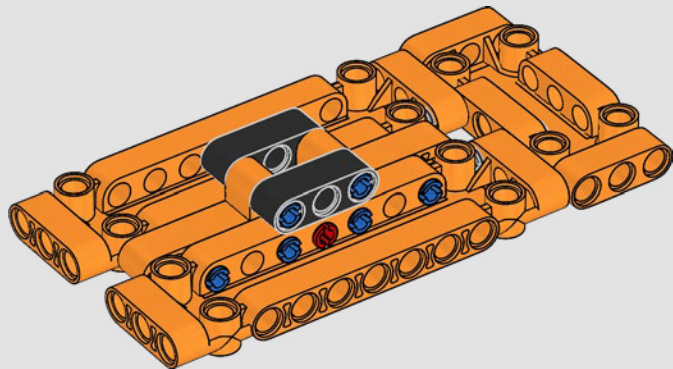




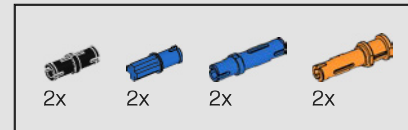
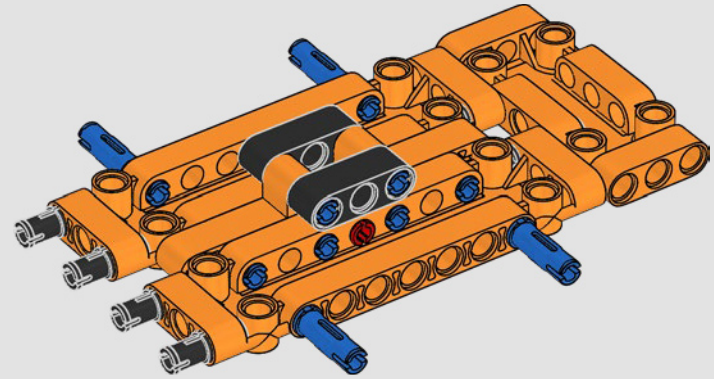
273



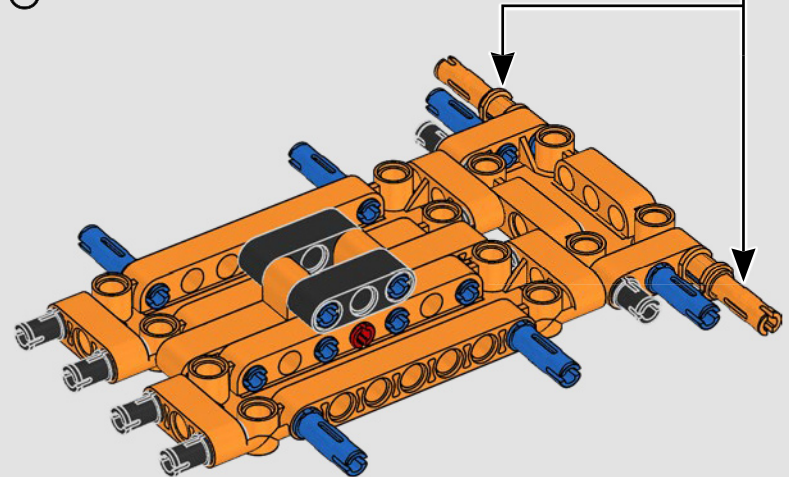
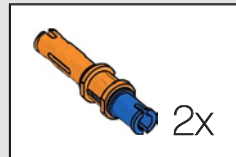
274

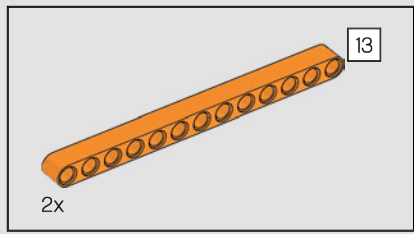


275

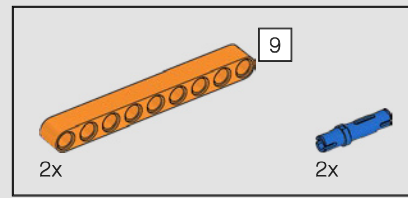
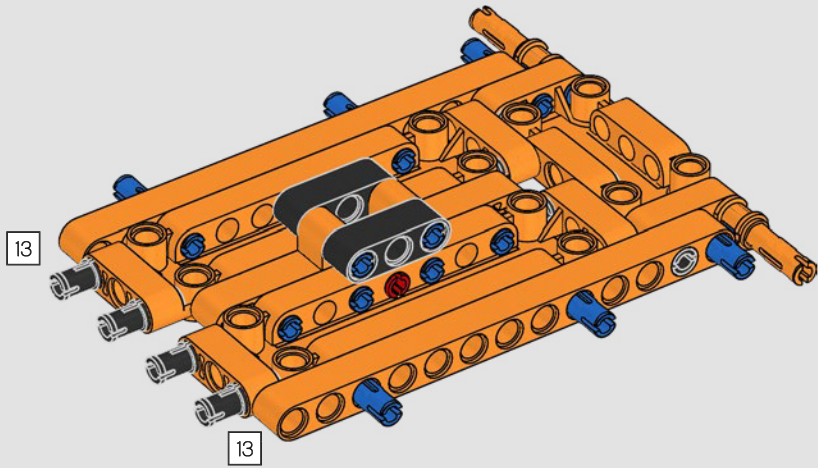


276

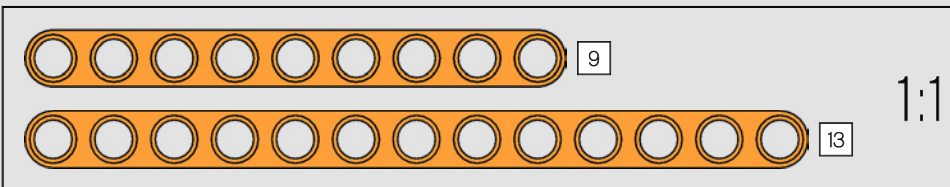
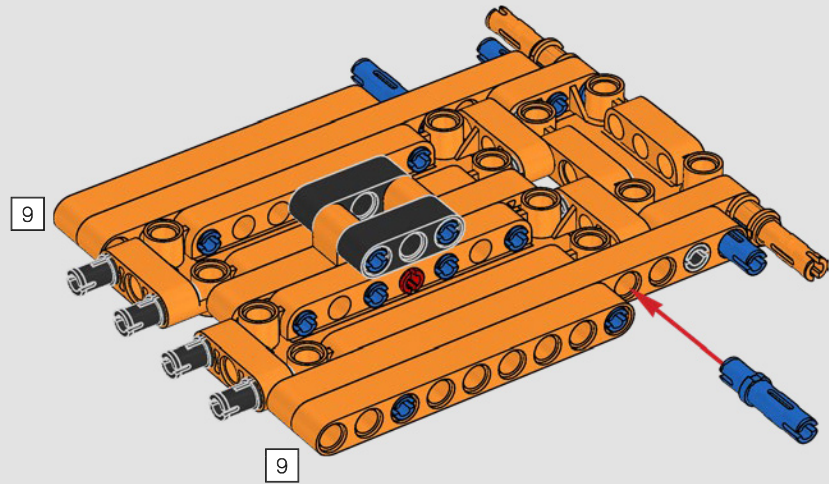




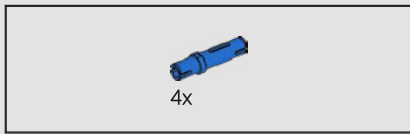
277



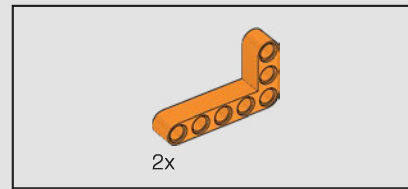
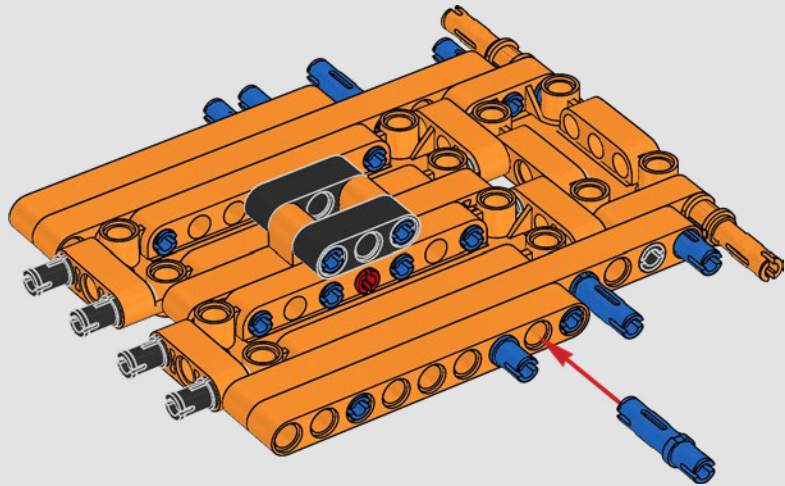
278



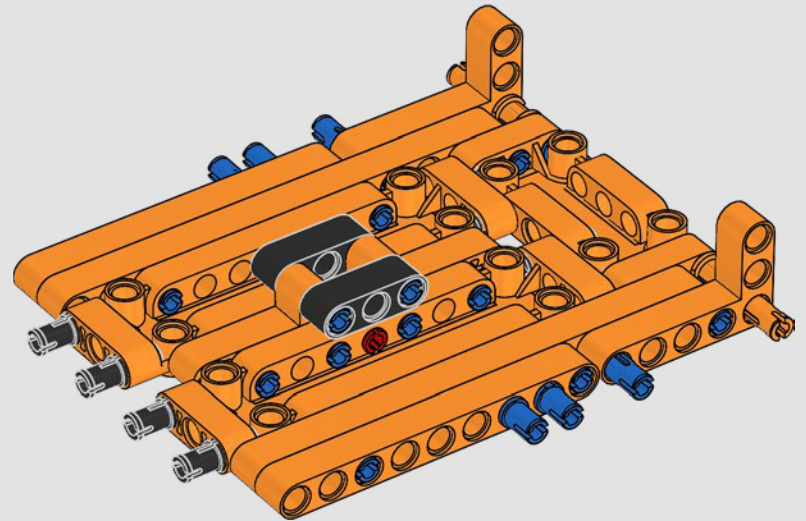




279



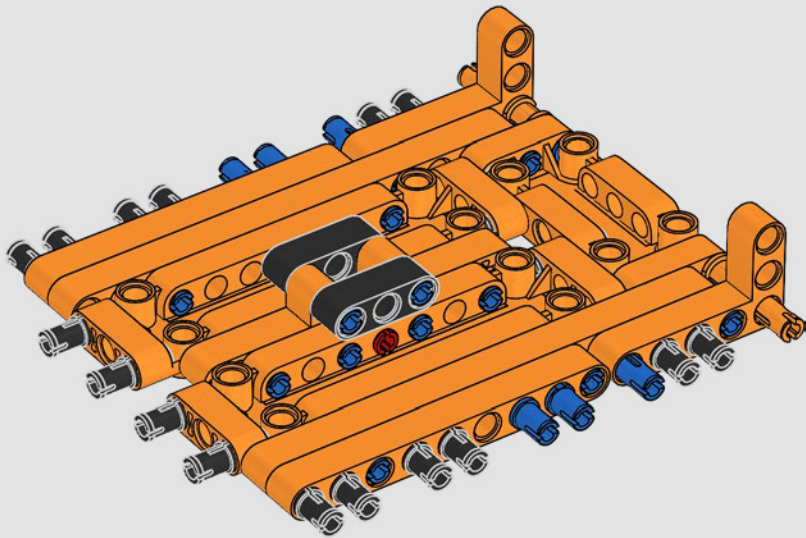
280





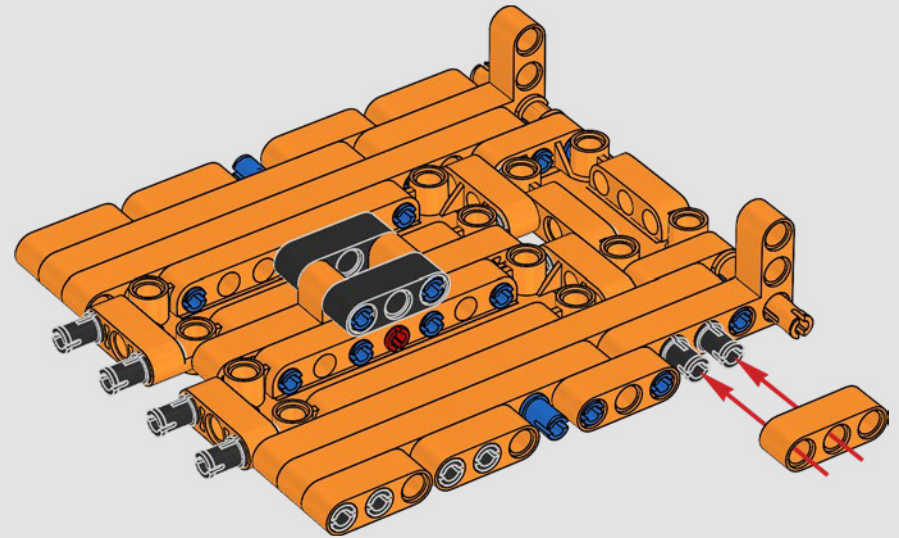
12x

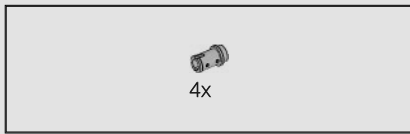
281



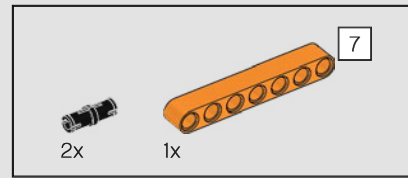
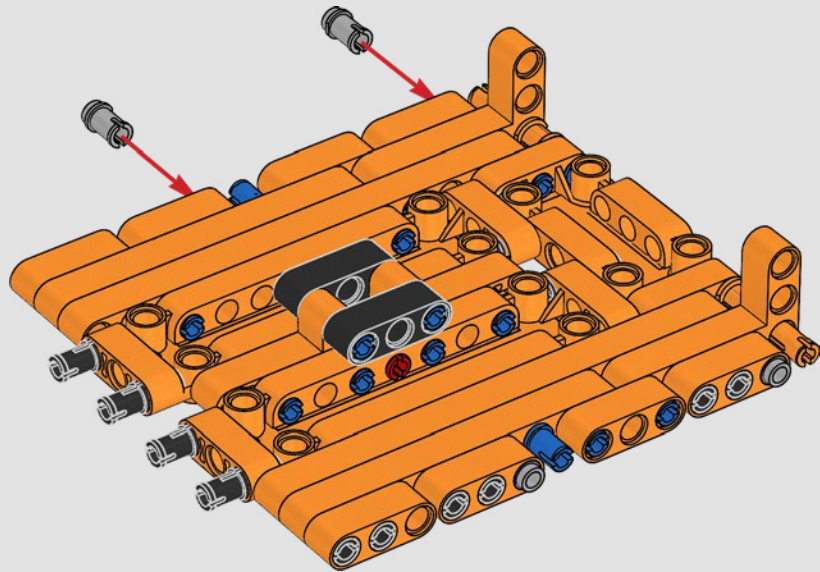
8x

282

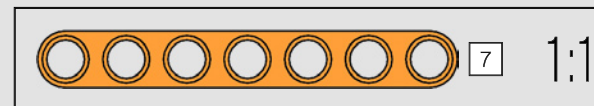
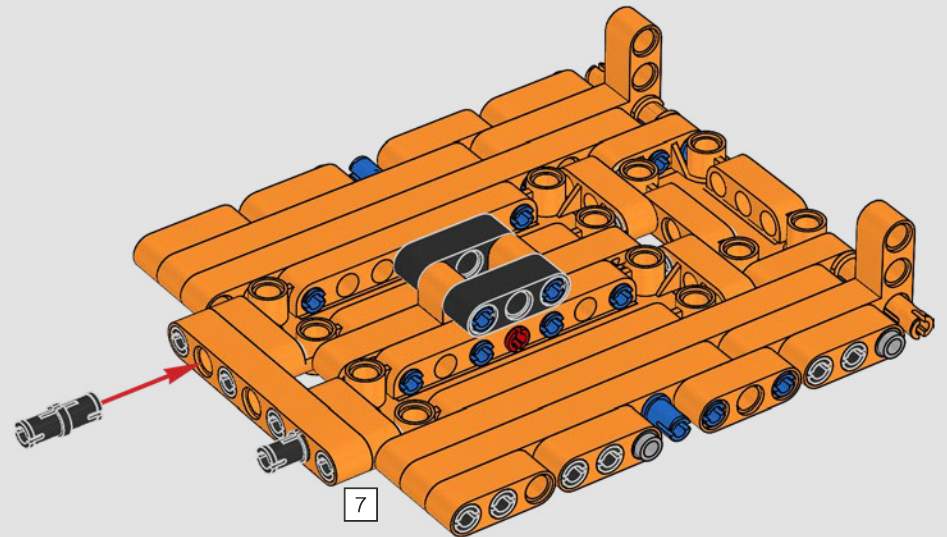




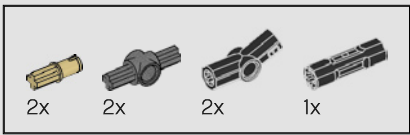
283



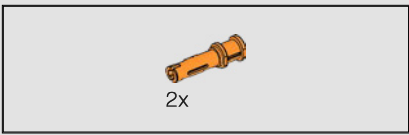
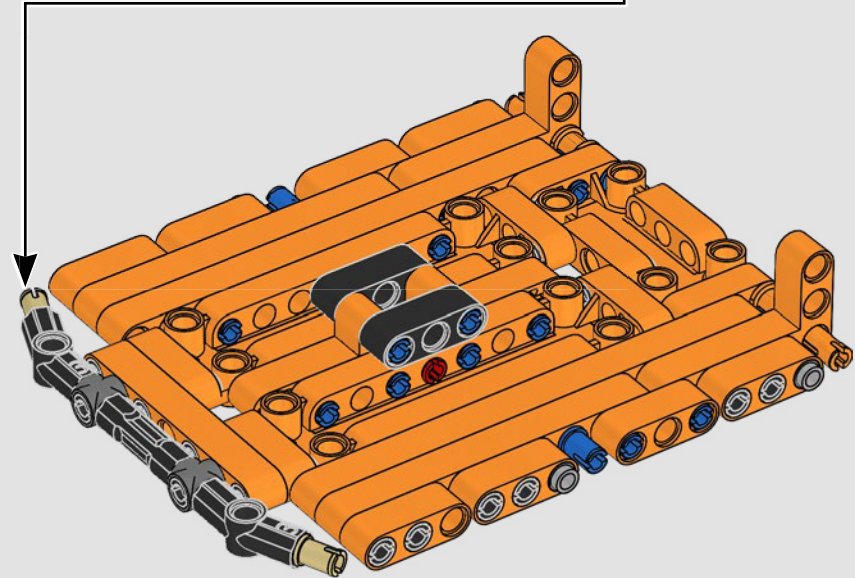
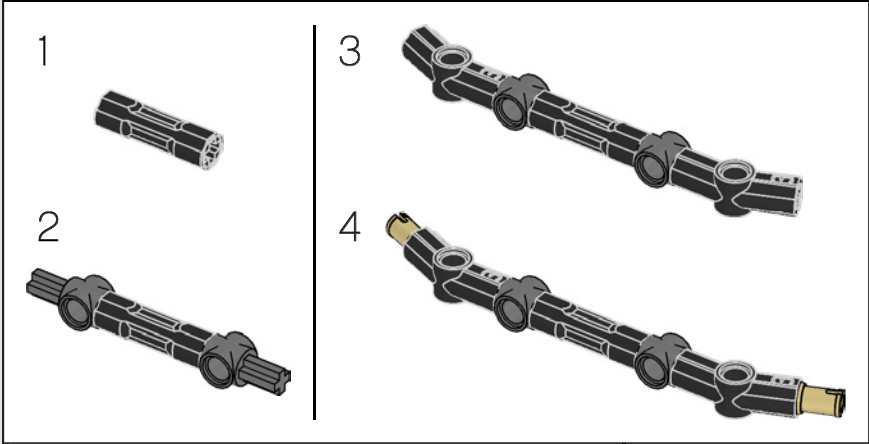
284



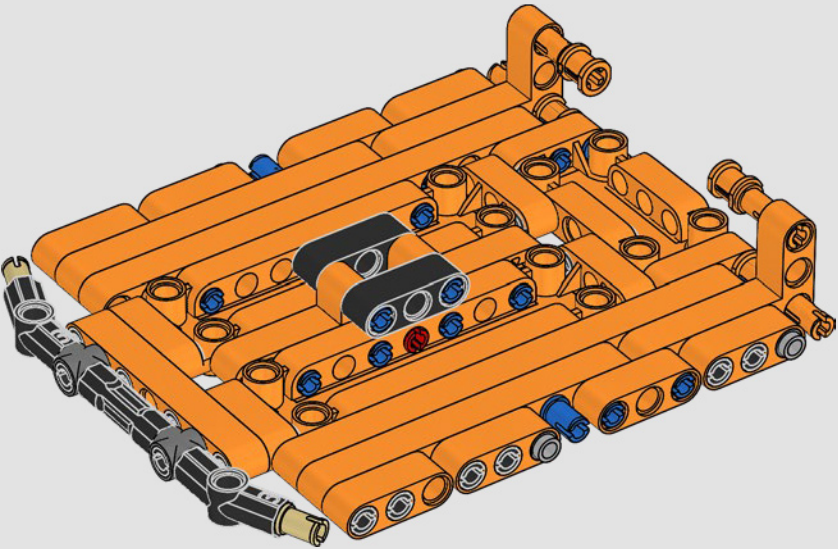


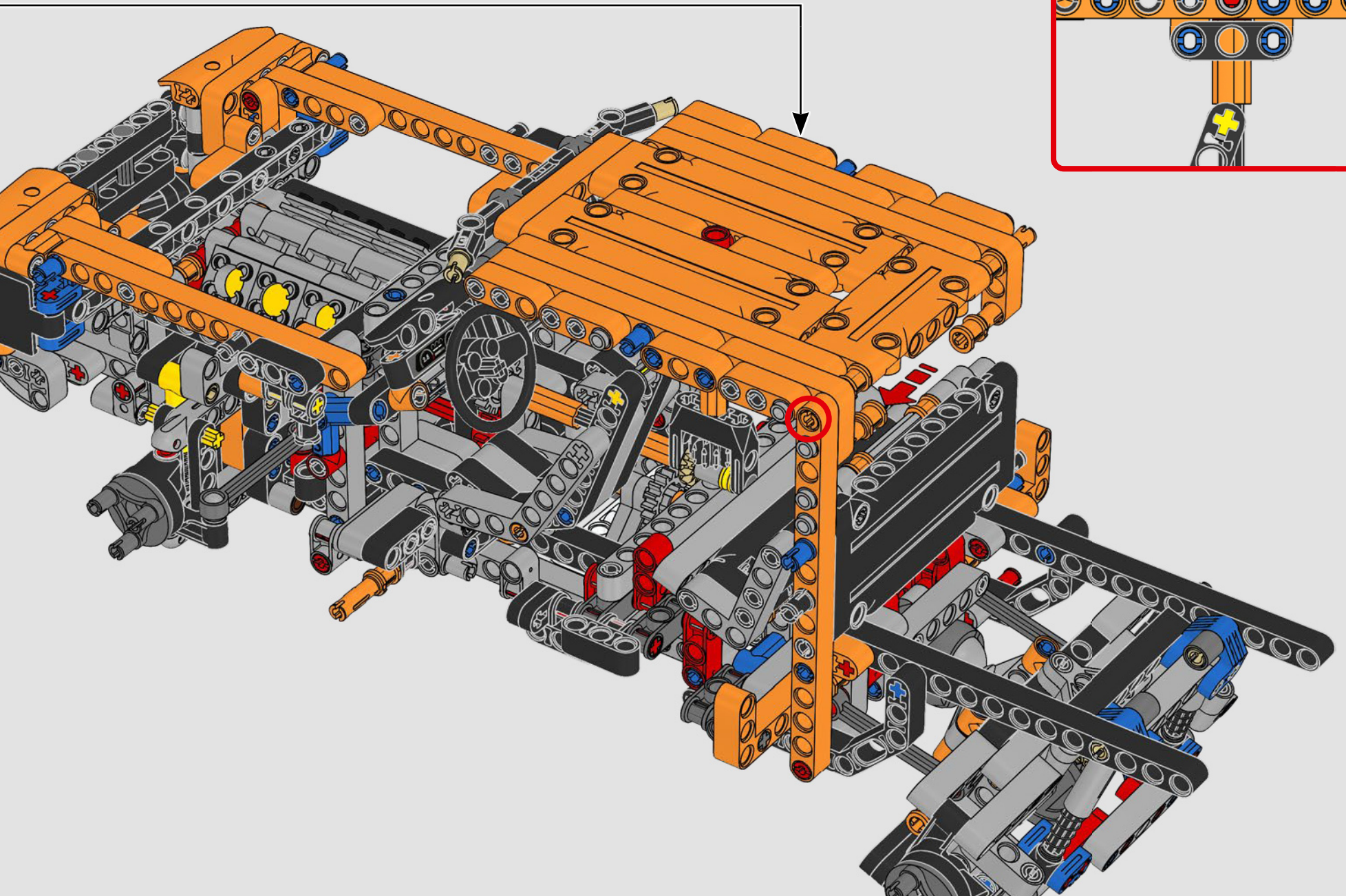


285

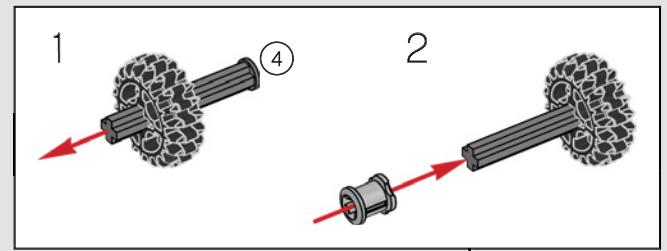
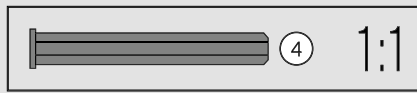
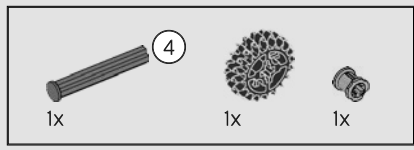


286

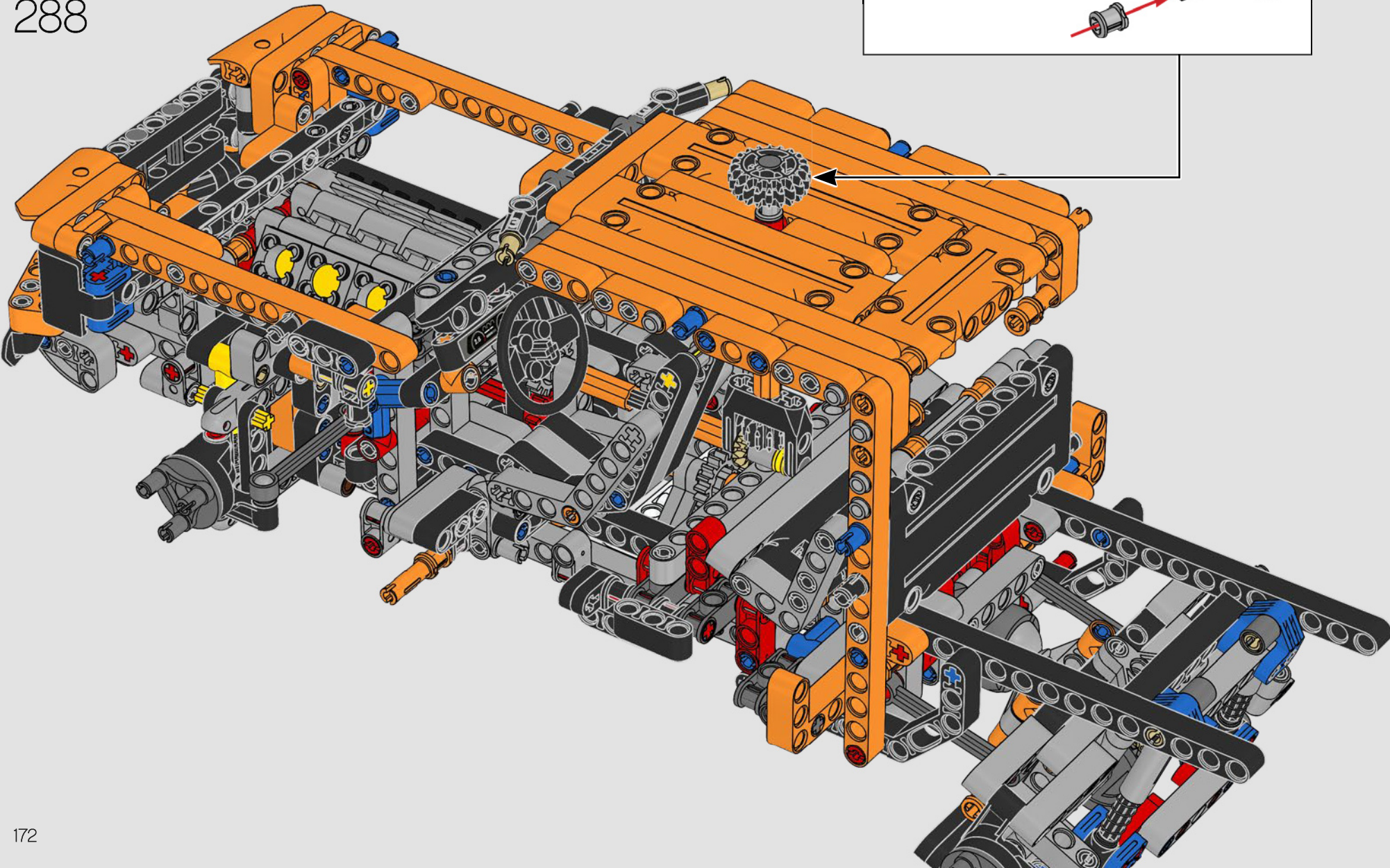






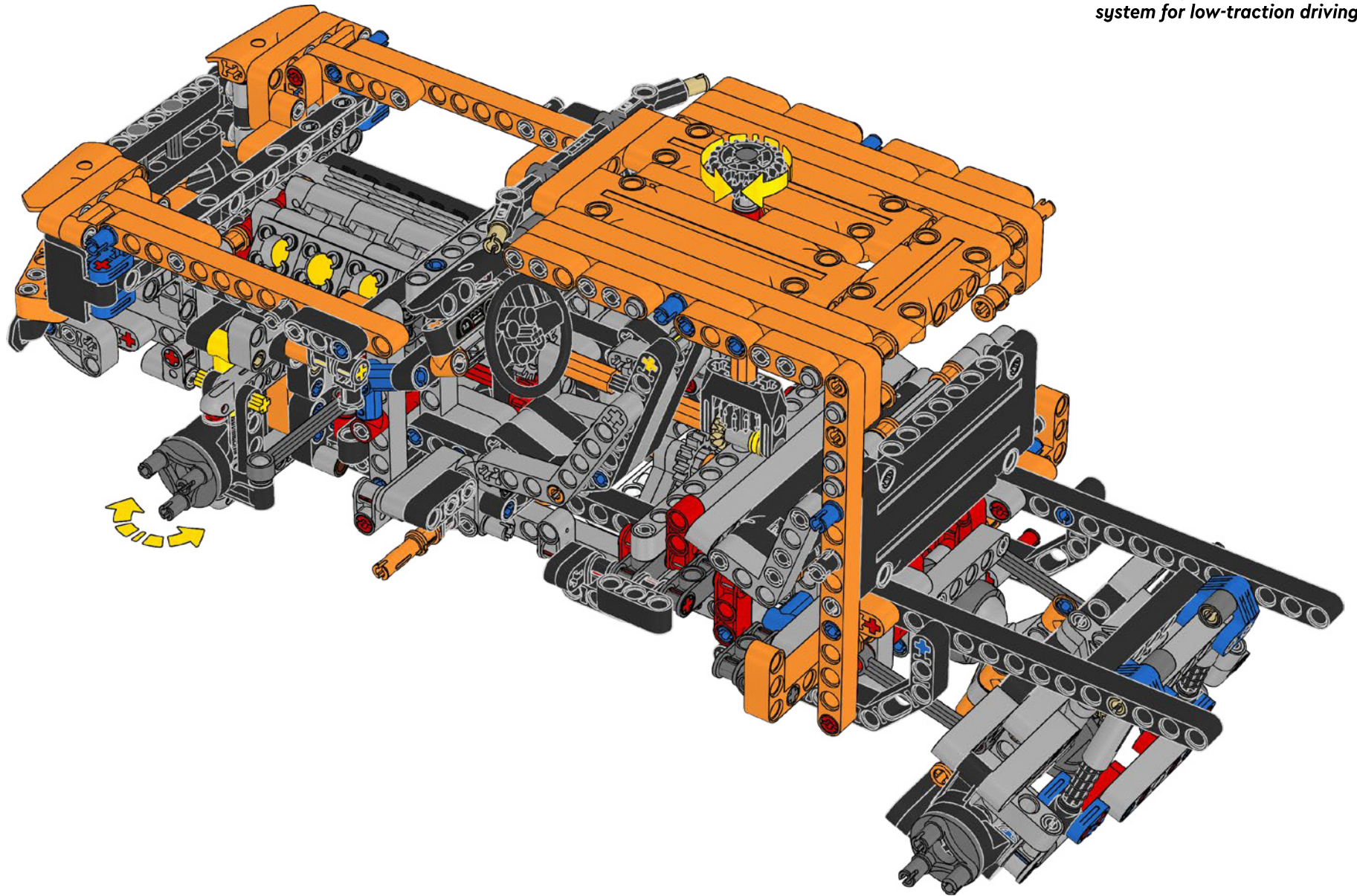


288

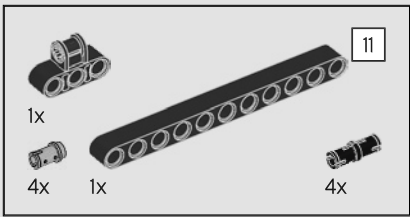




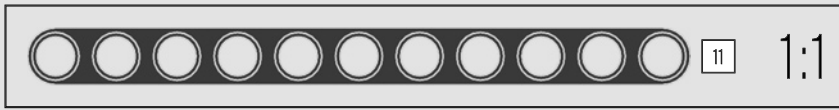
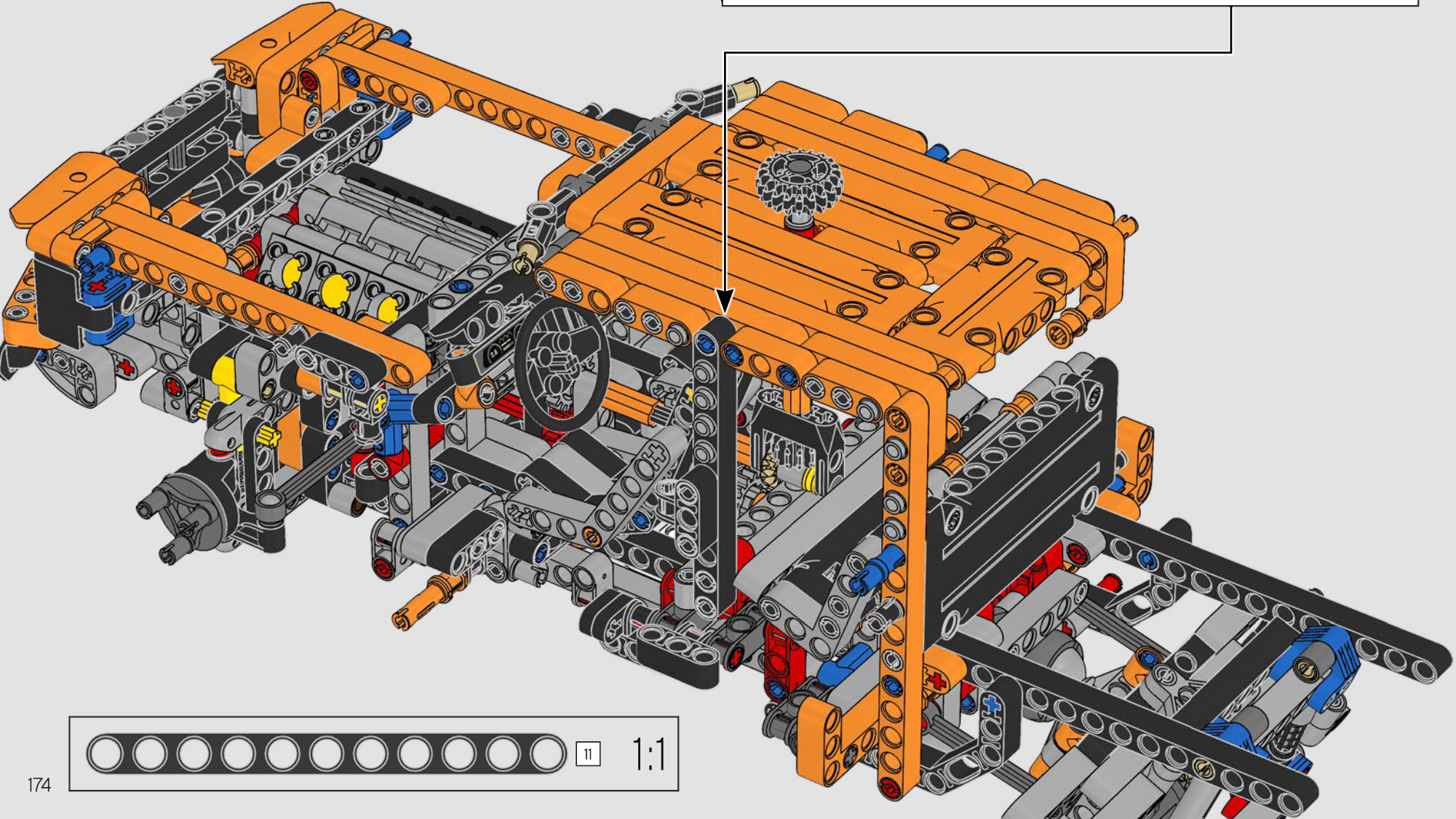
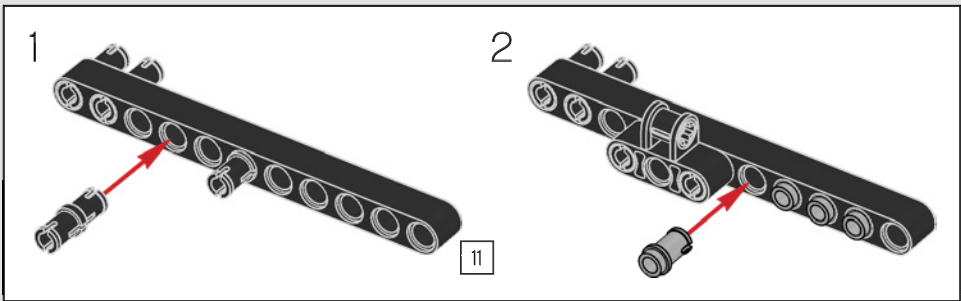
*The F-150 Raptor also includes a high-tech cruise control system for low-traction driving.*



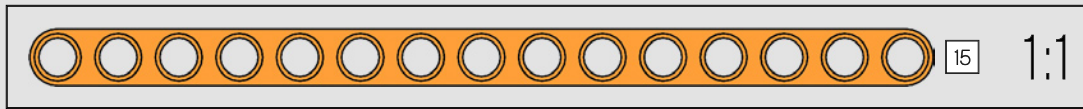
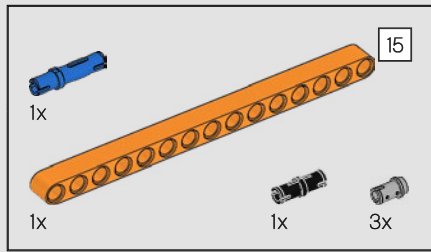




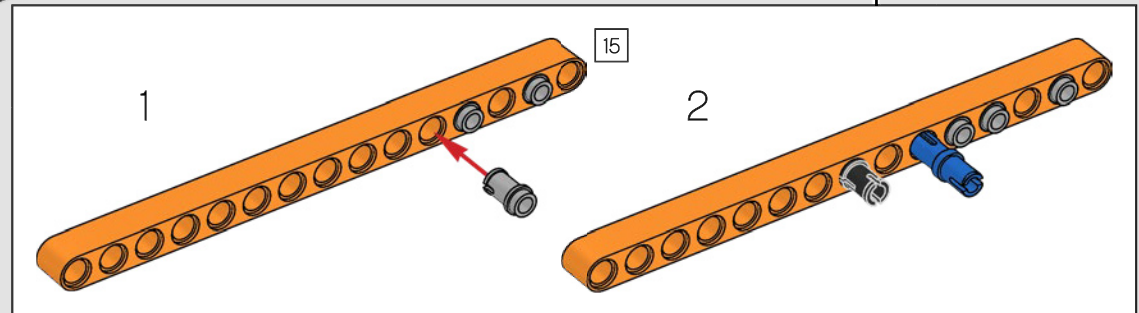
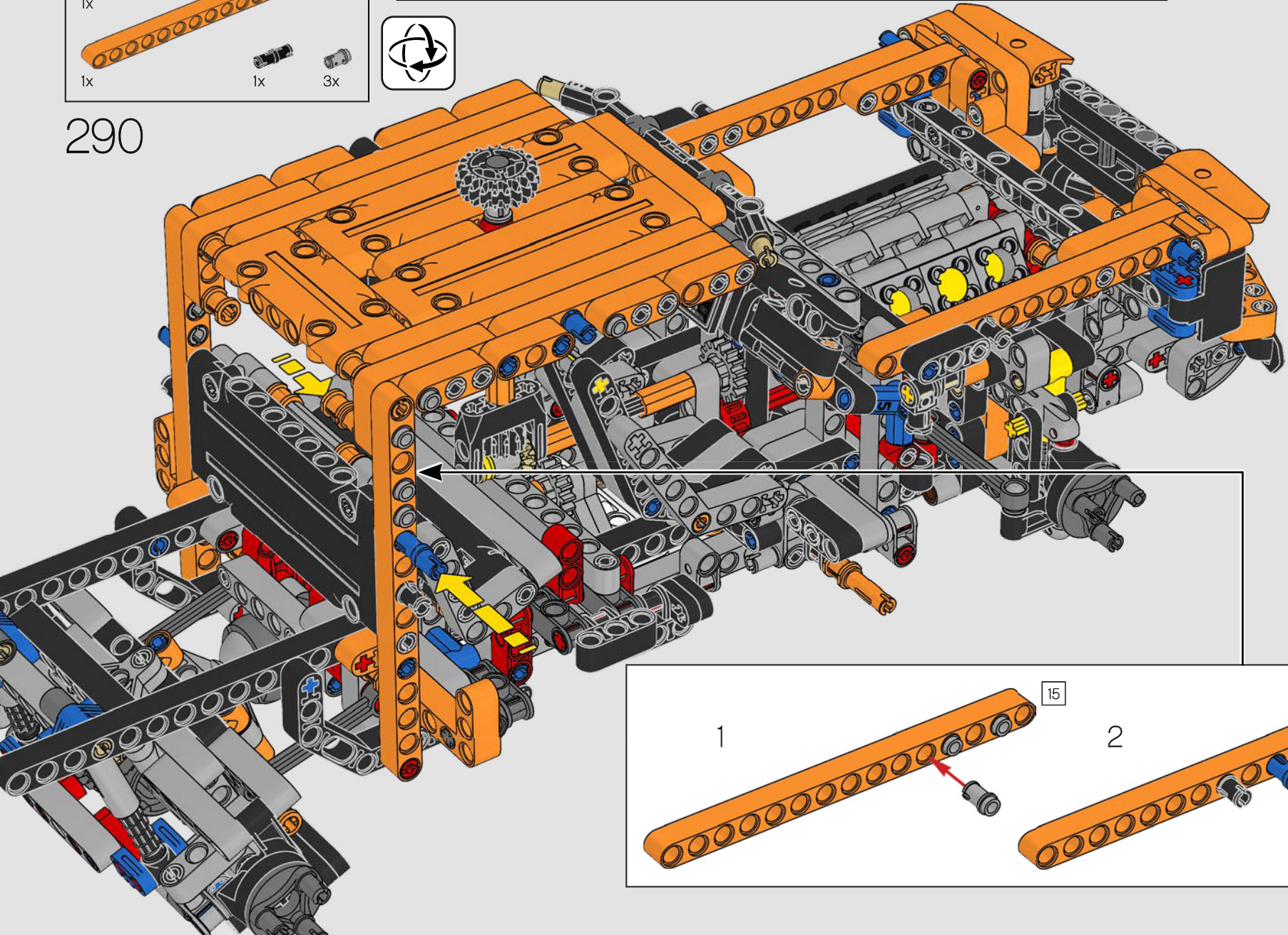
289



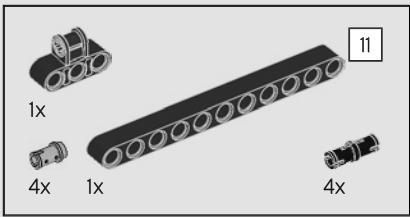




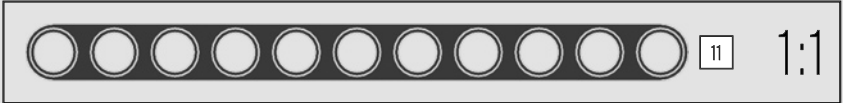
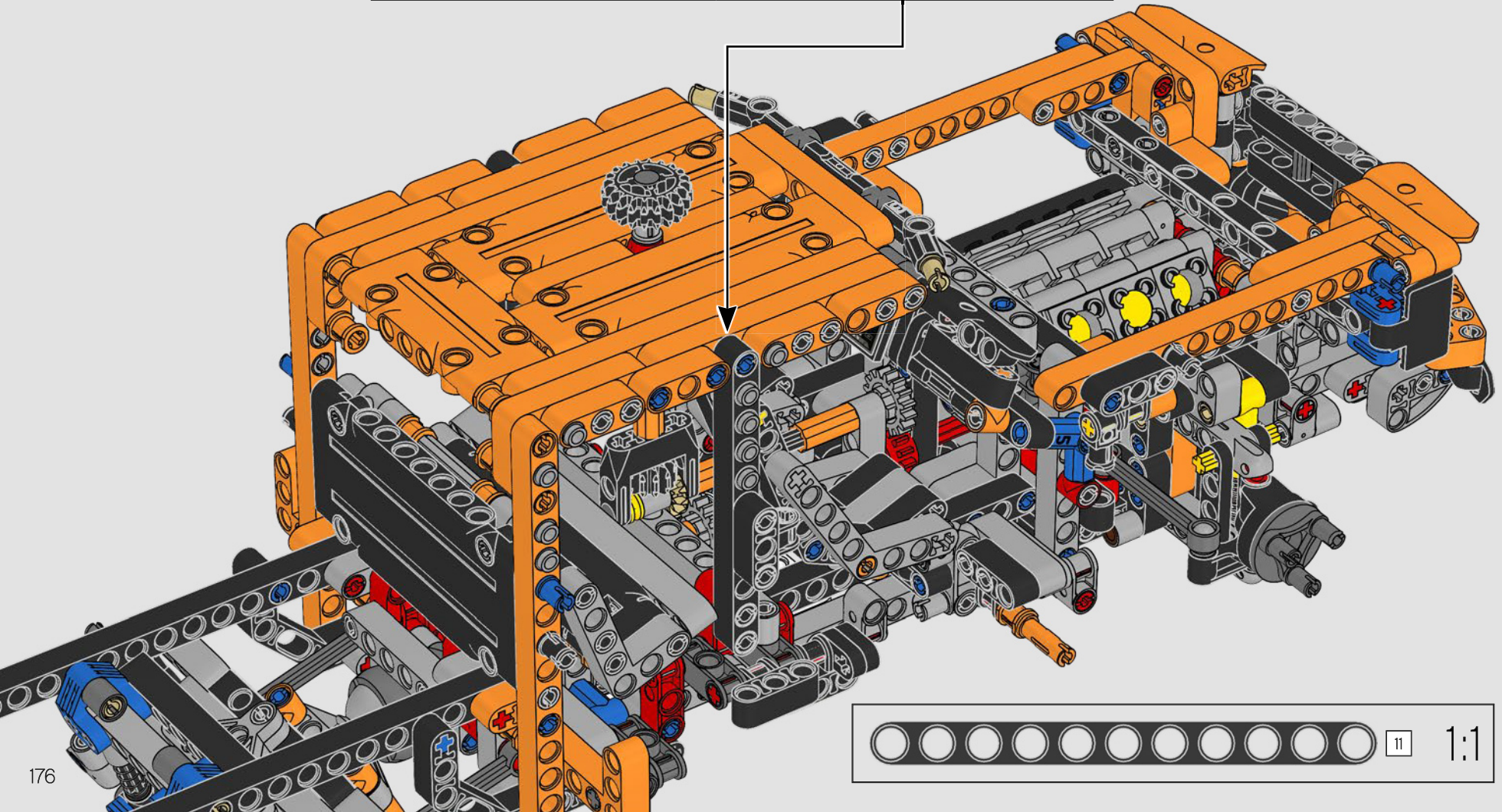
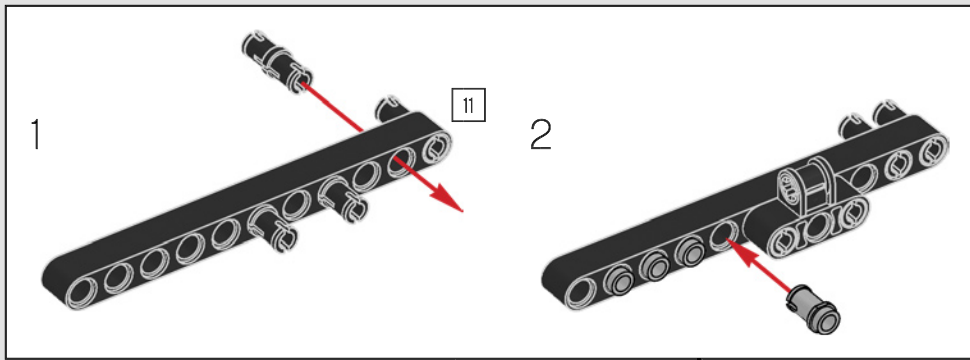
290



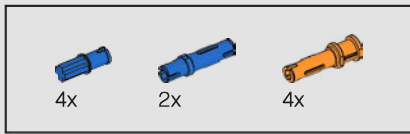




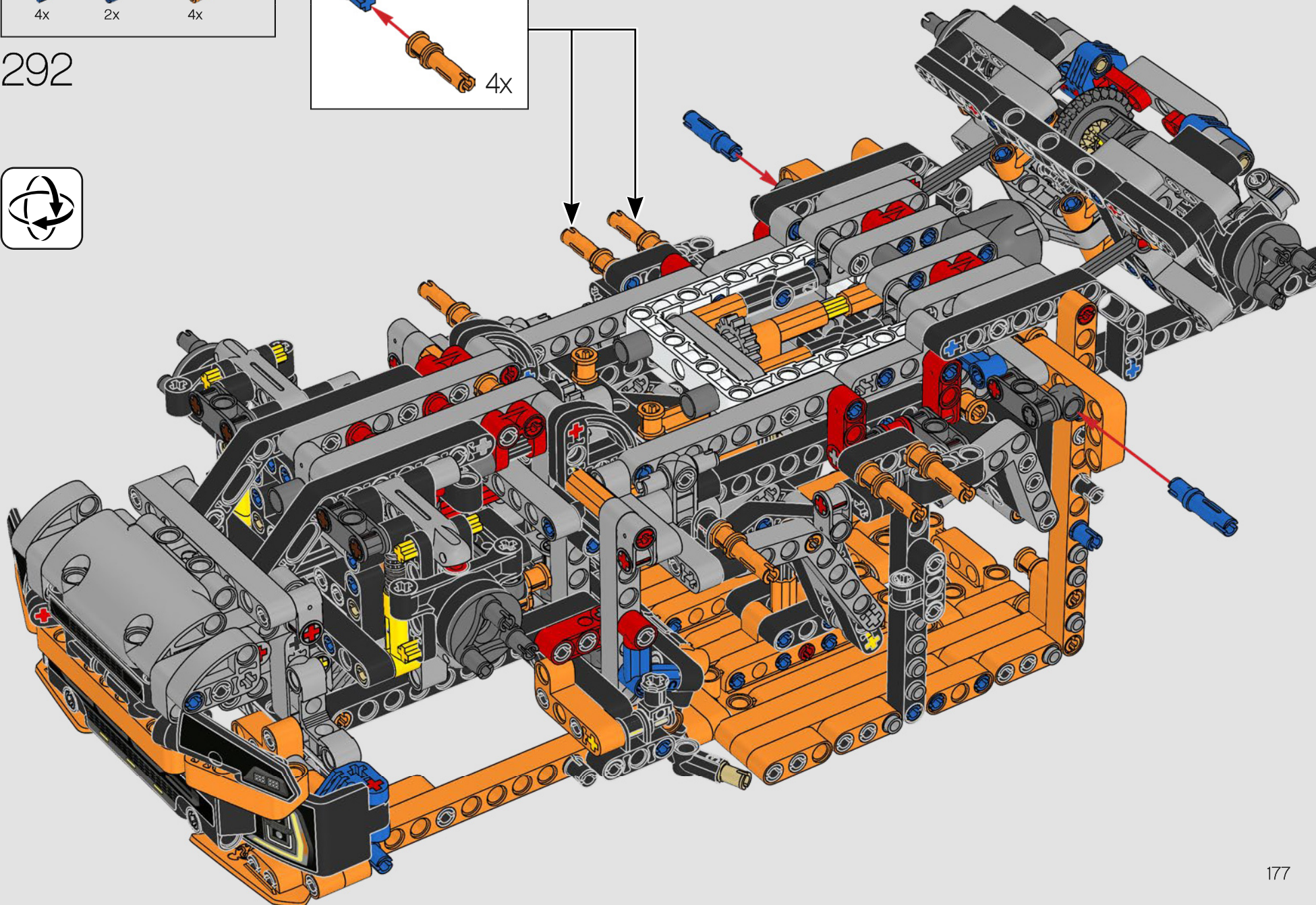
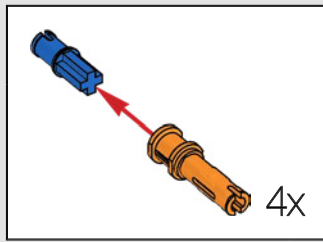
291



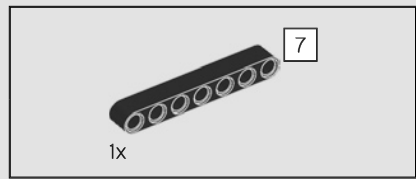




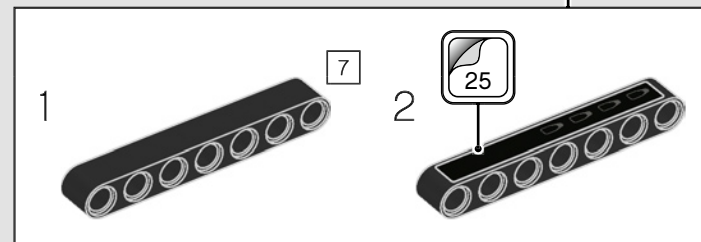
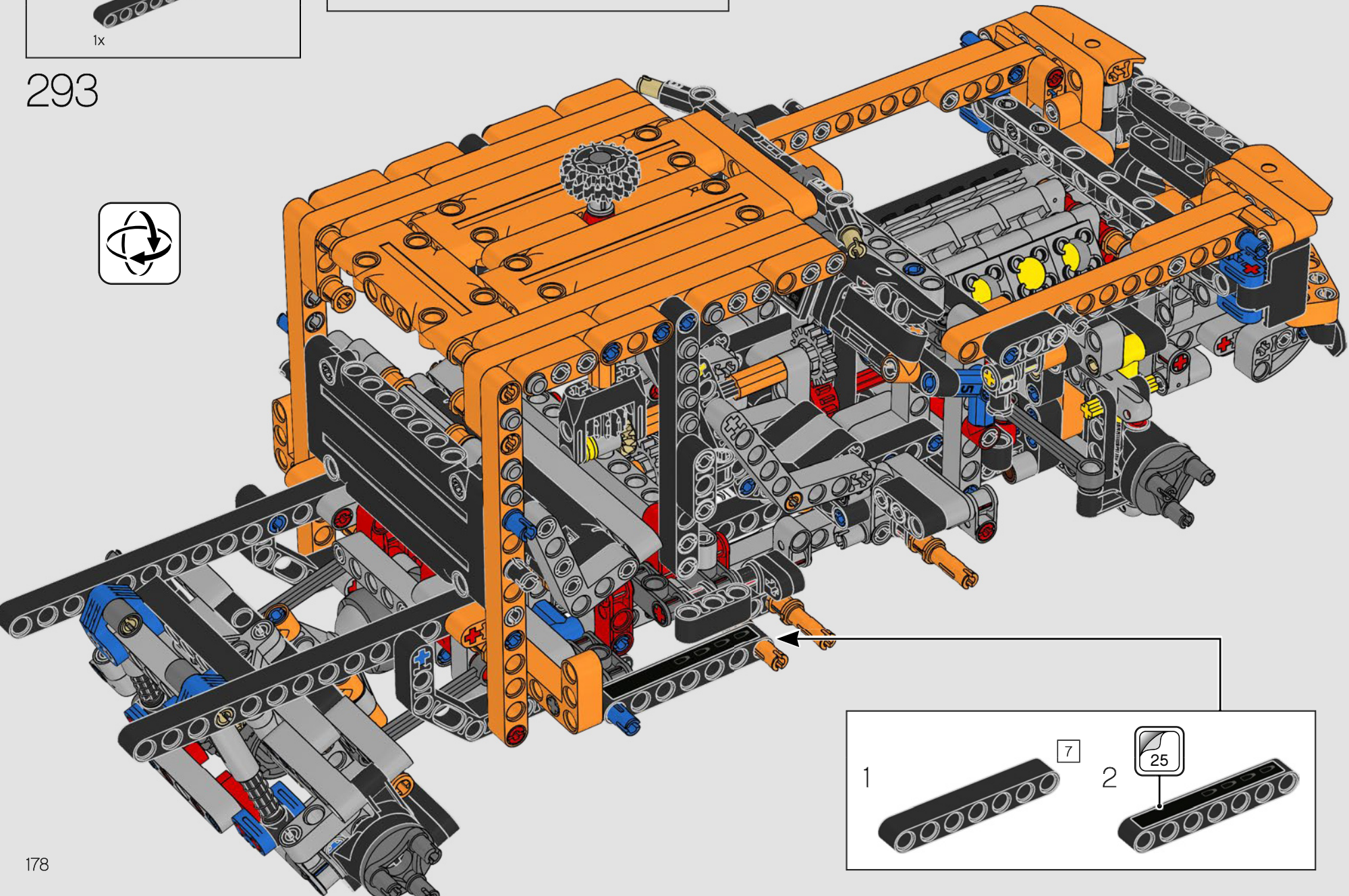
292



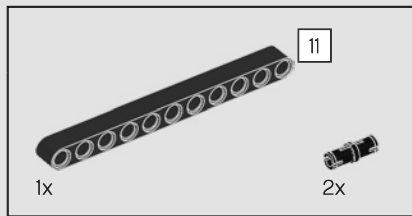




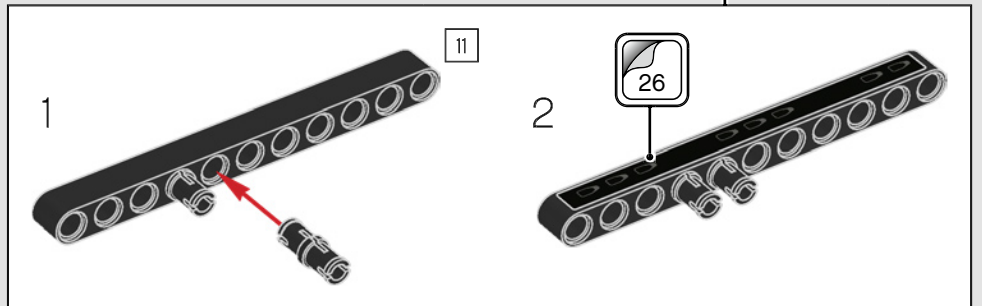
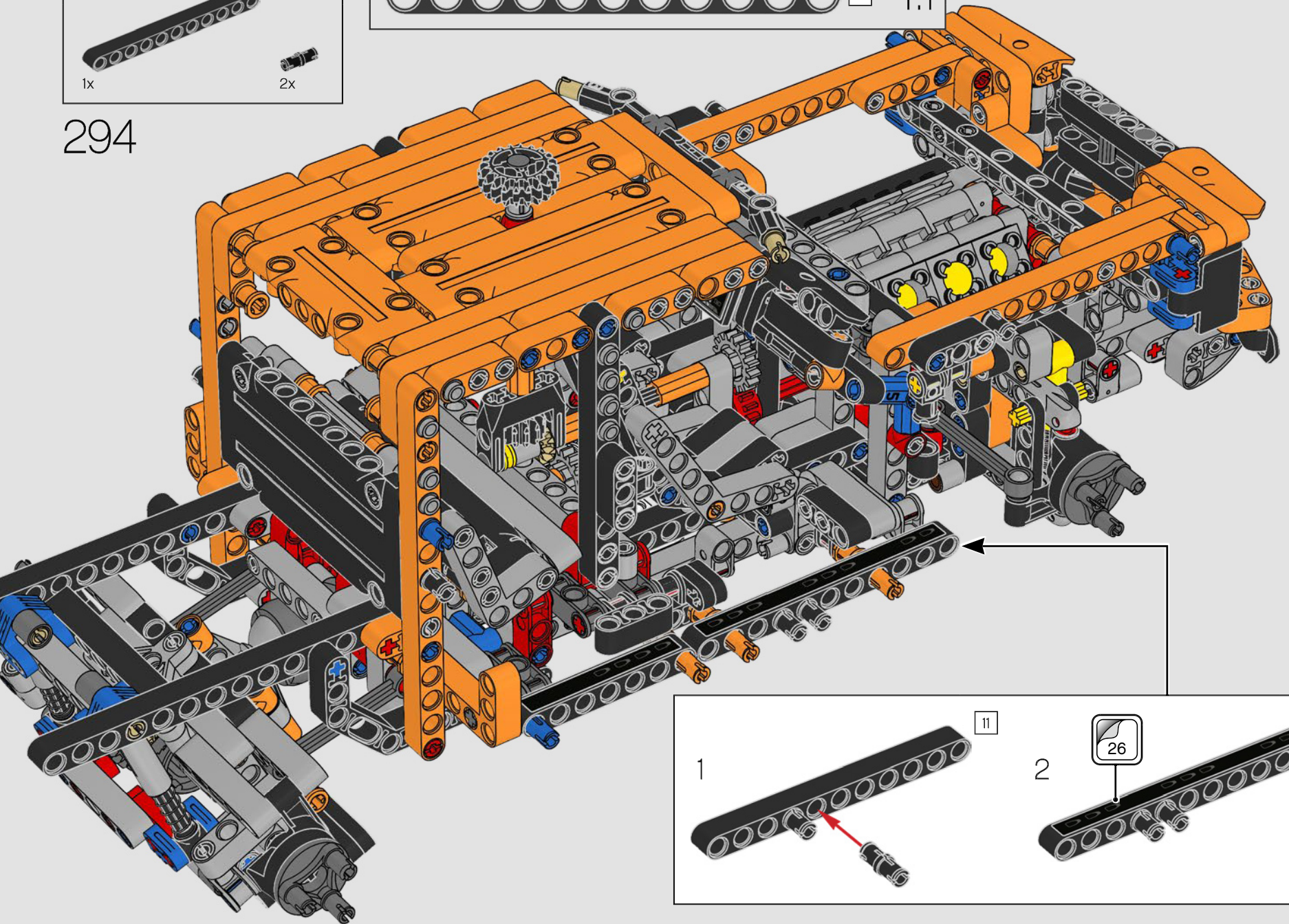
293



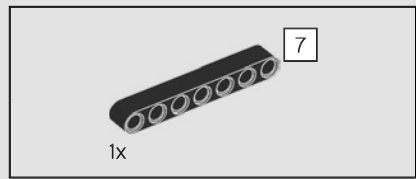




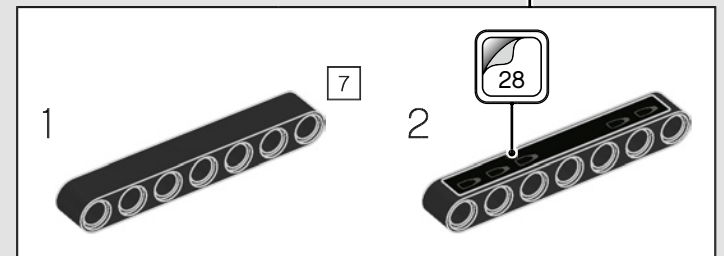
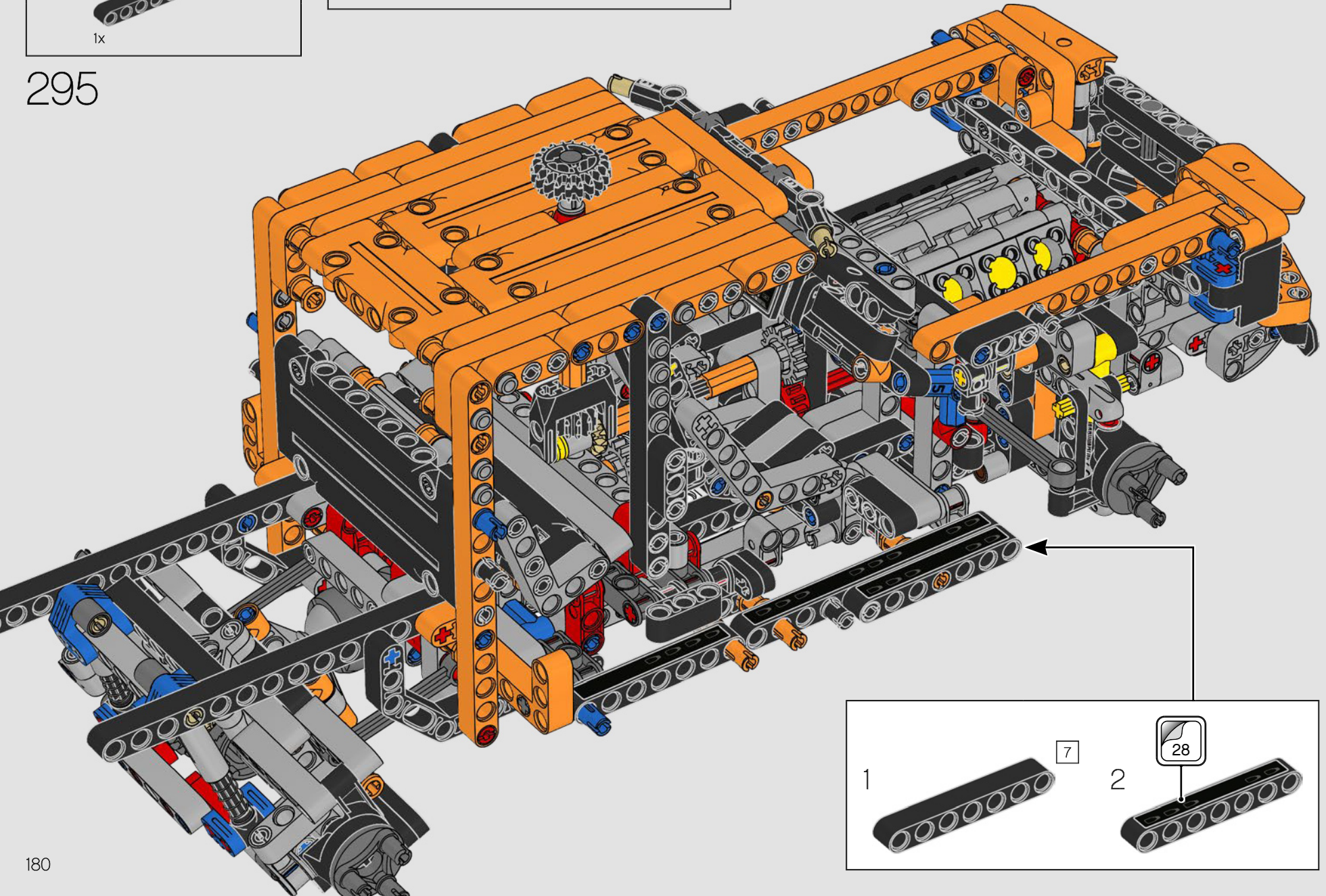
294



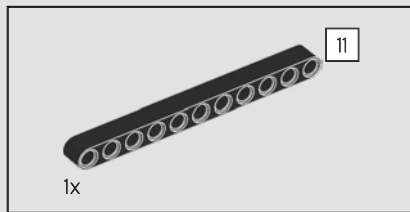




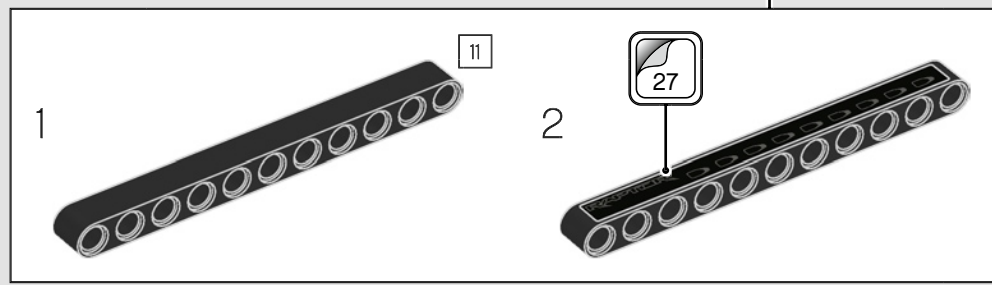
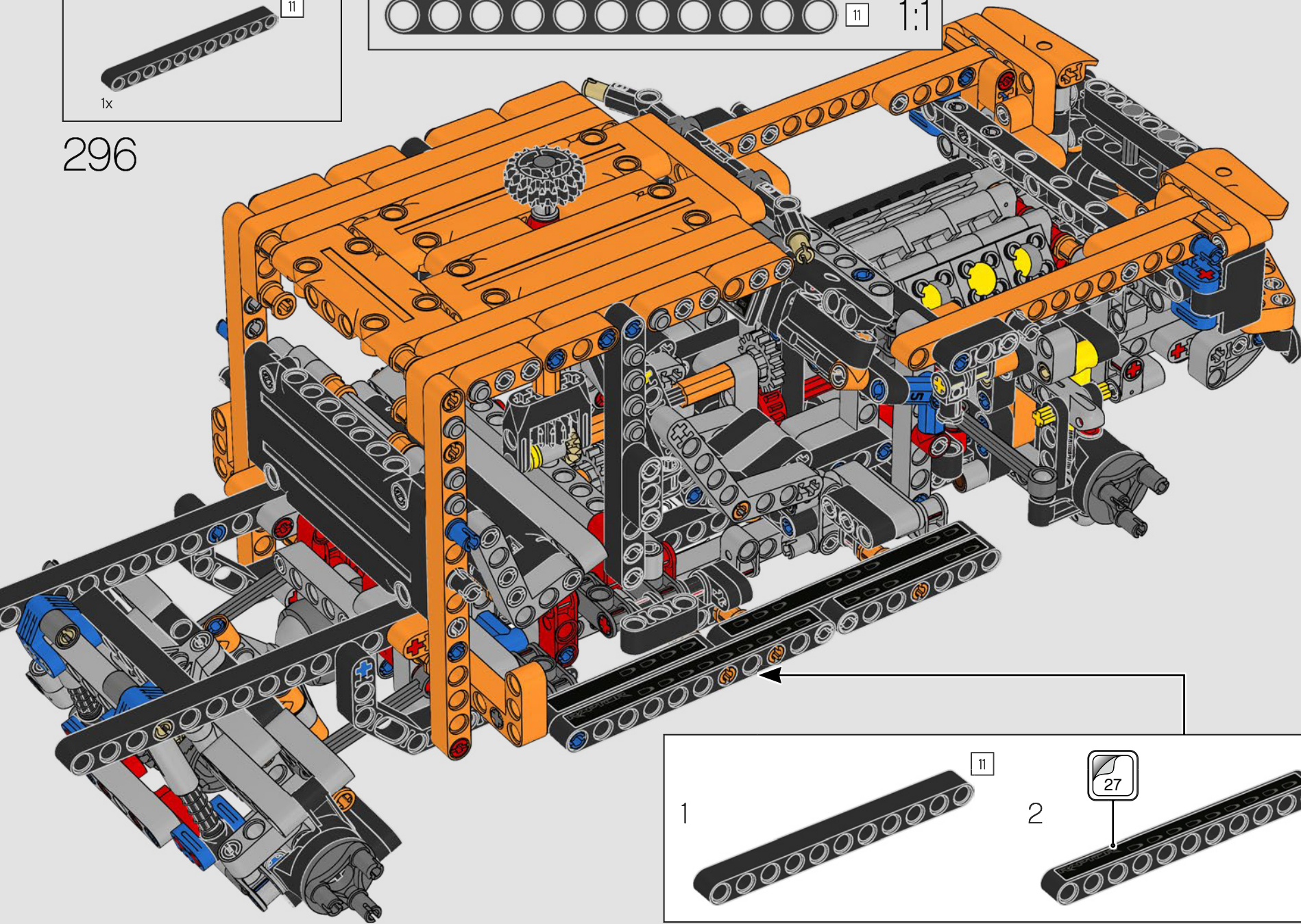
295



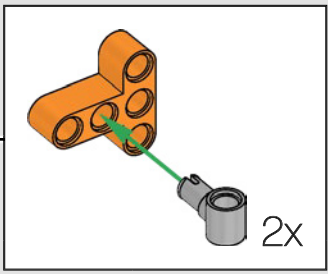
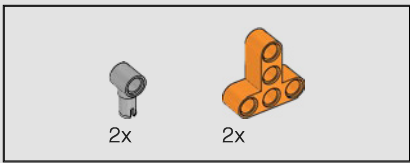




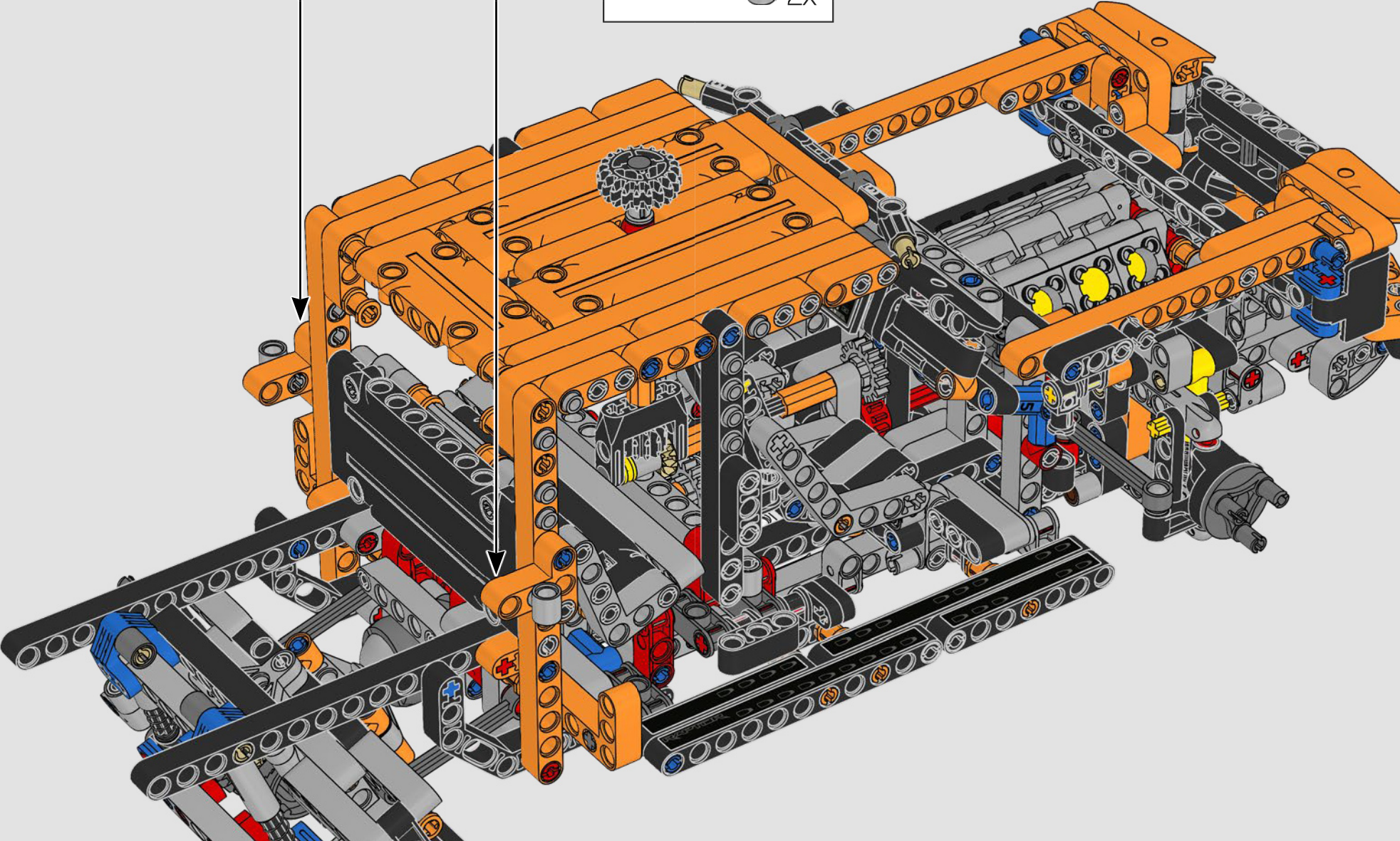
296

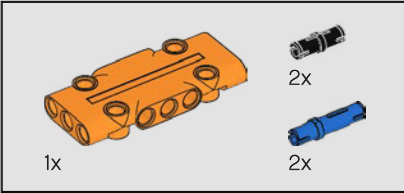
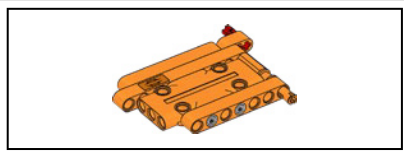




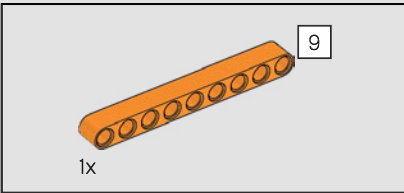
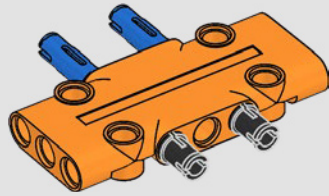


297

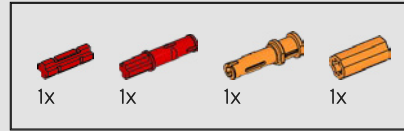
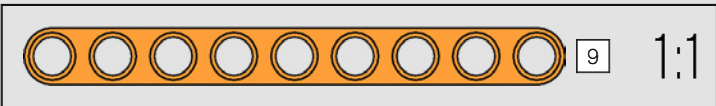
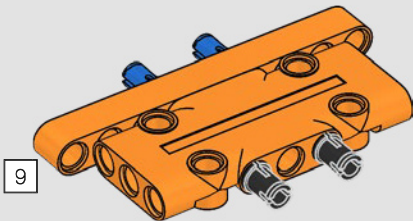




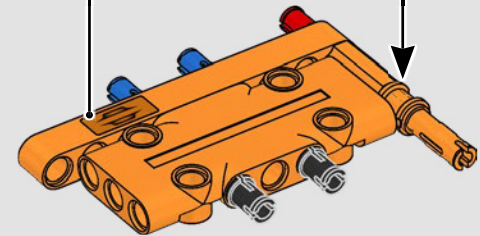
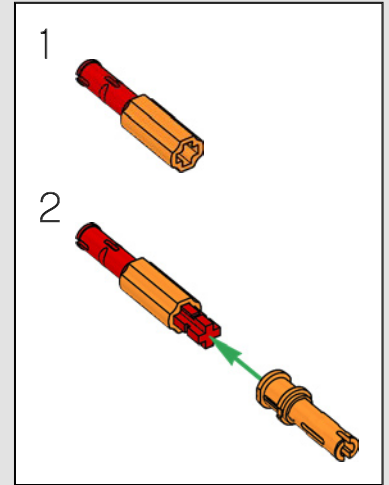
298

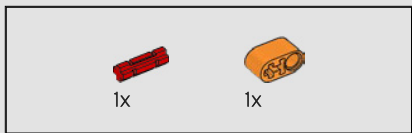


299

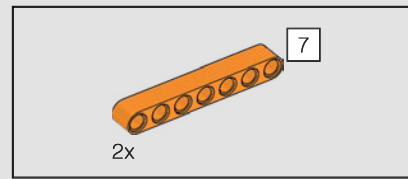
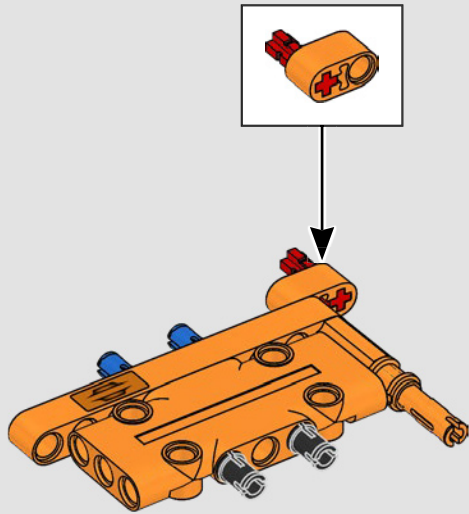


300

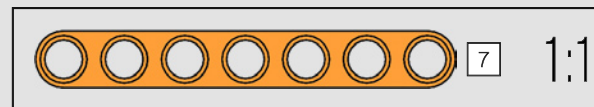
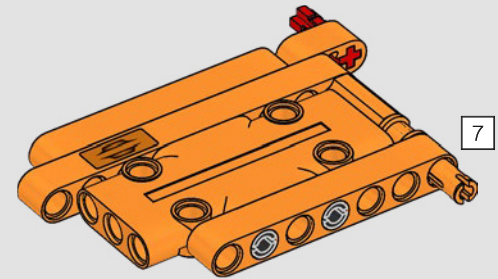




301

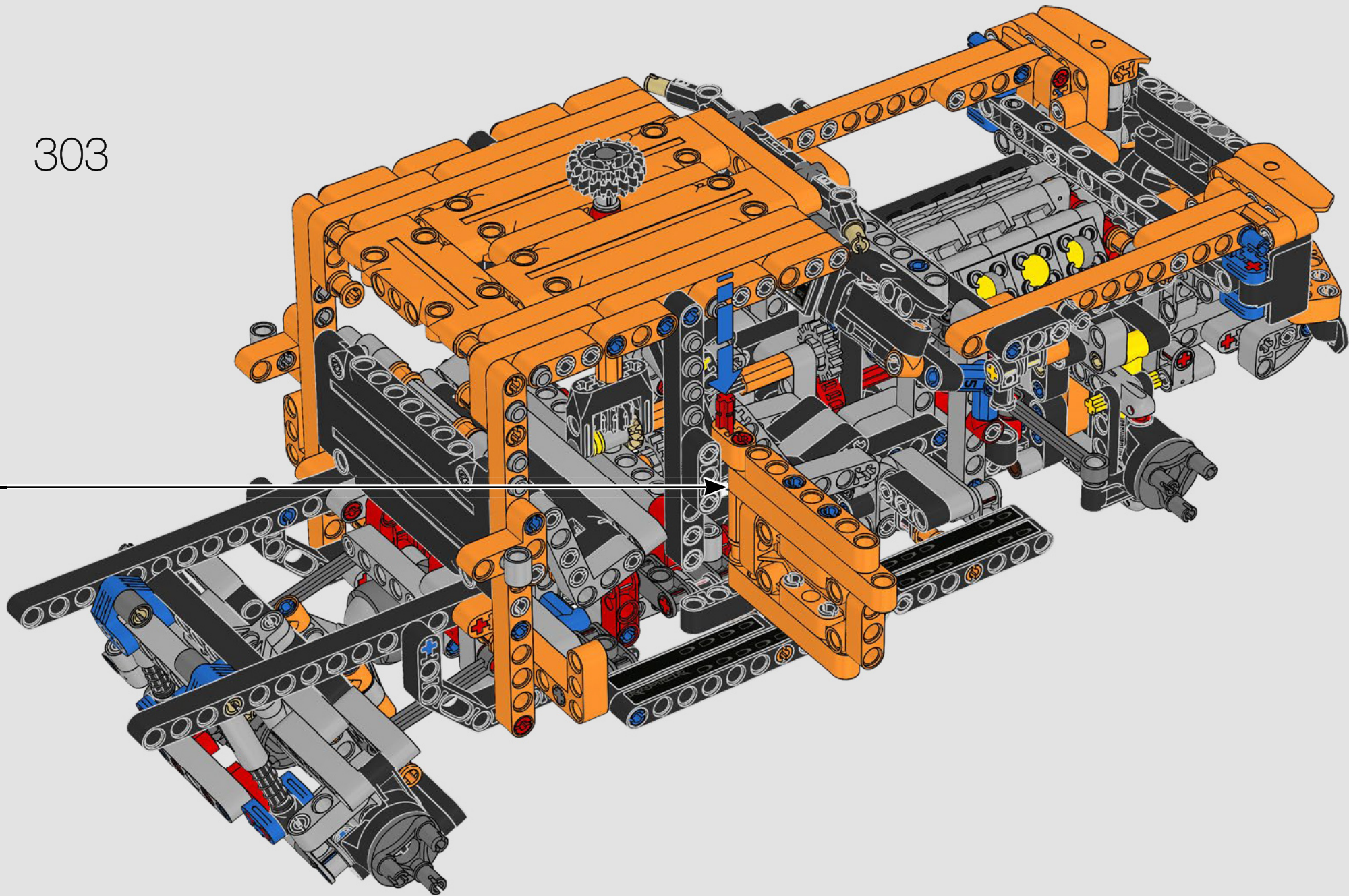


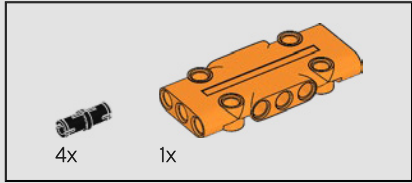
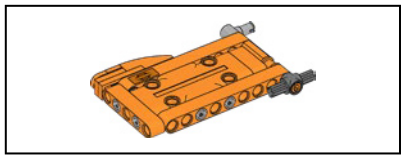
302



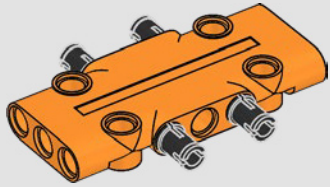


303

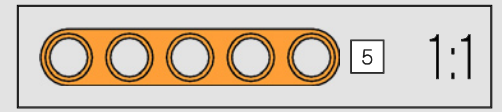
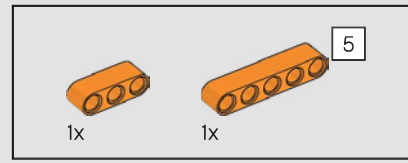
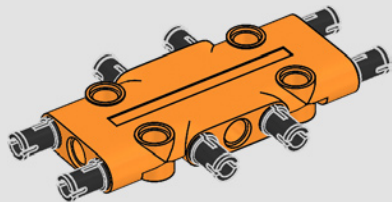




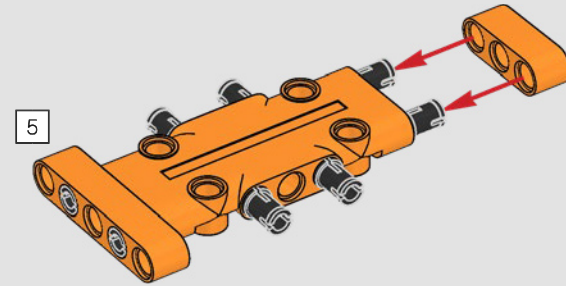
304

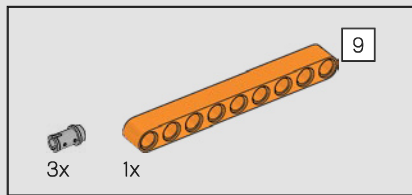


305

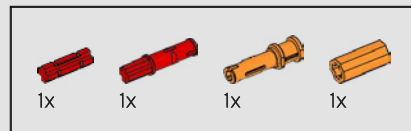
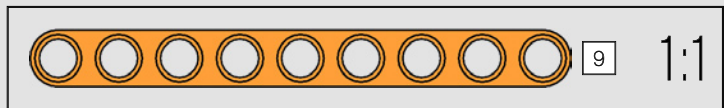
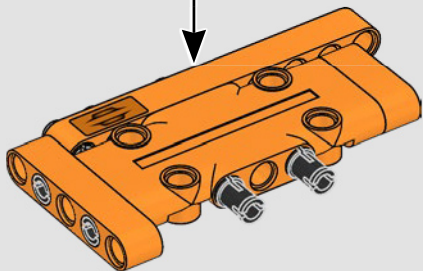
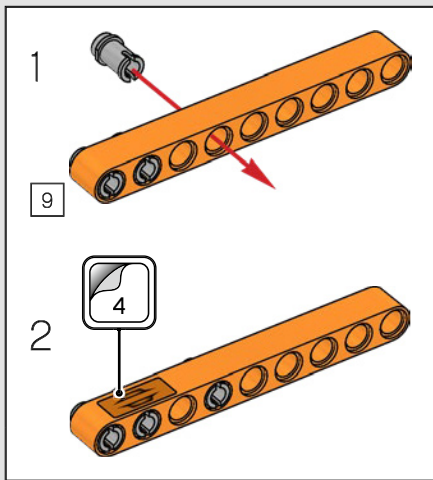


306

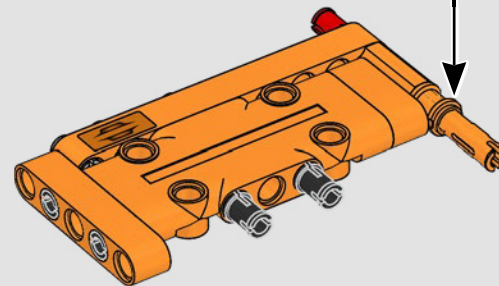
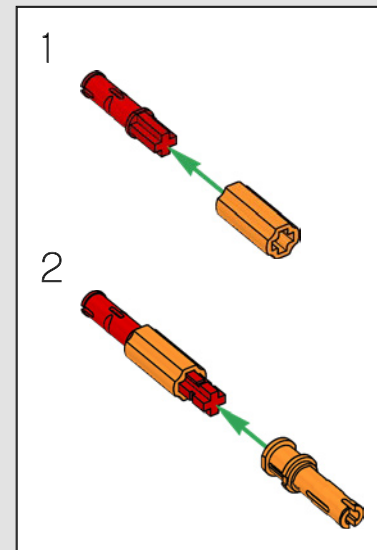




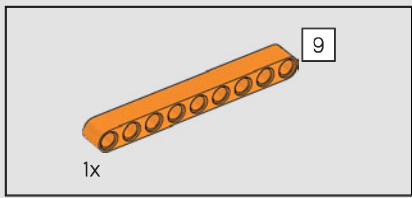
307



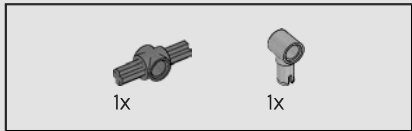
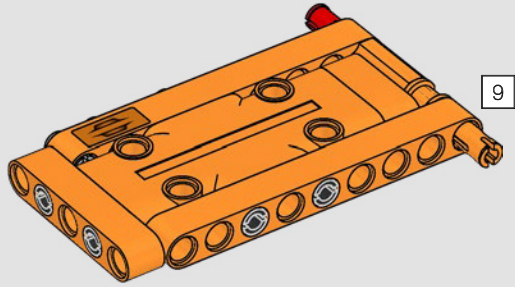
308



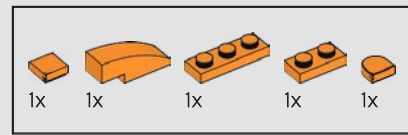
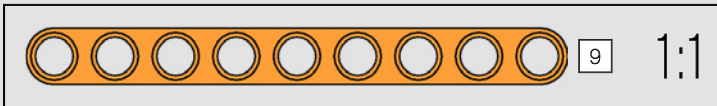
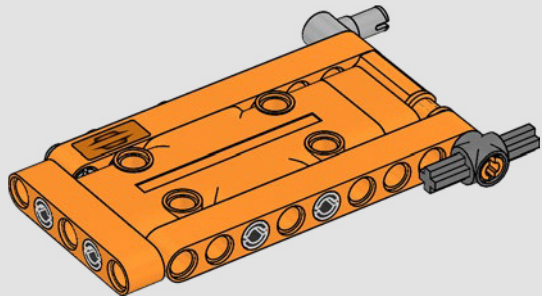




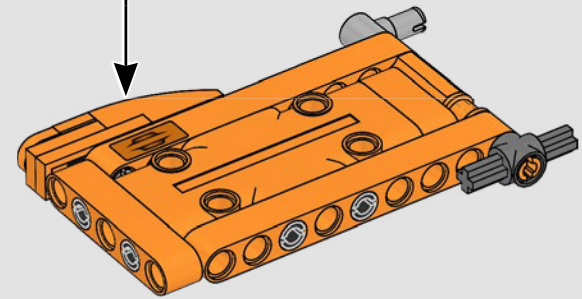
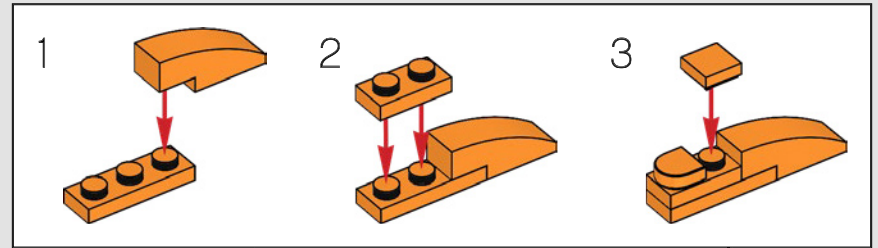
309



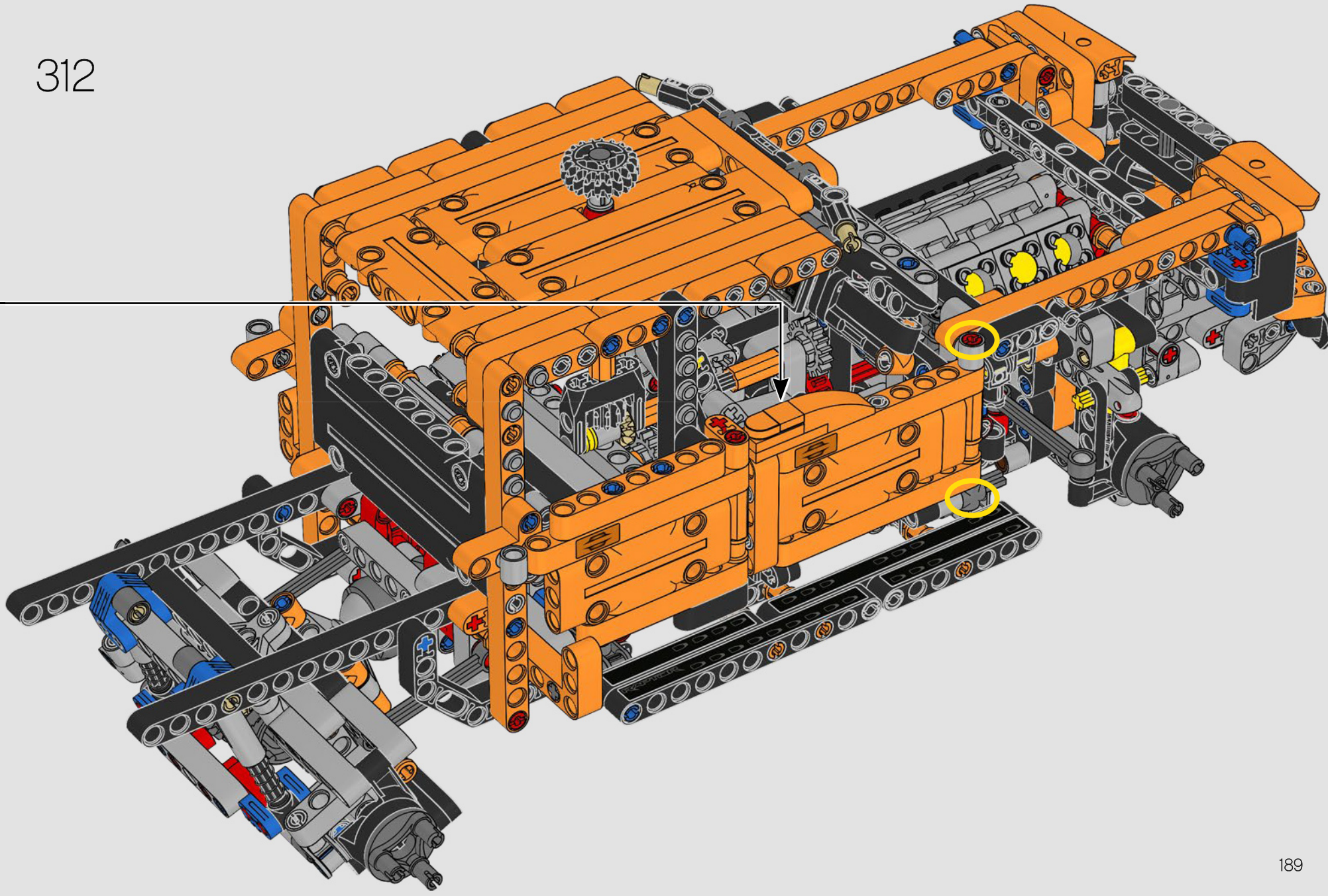
310



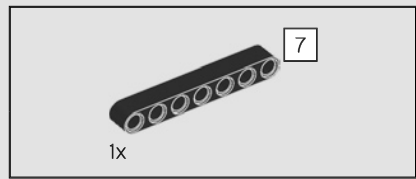
311



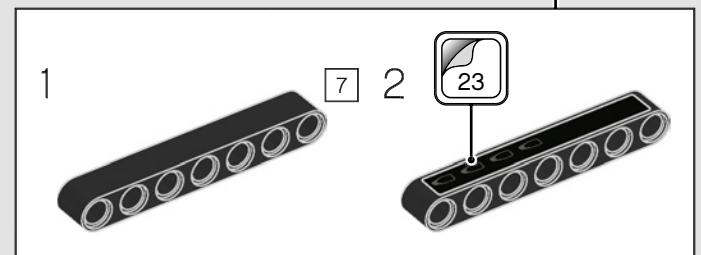
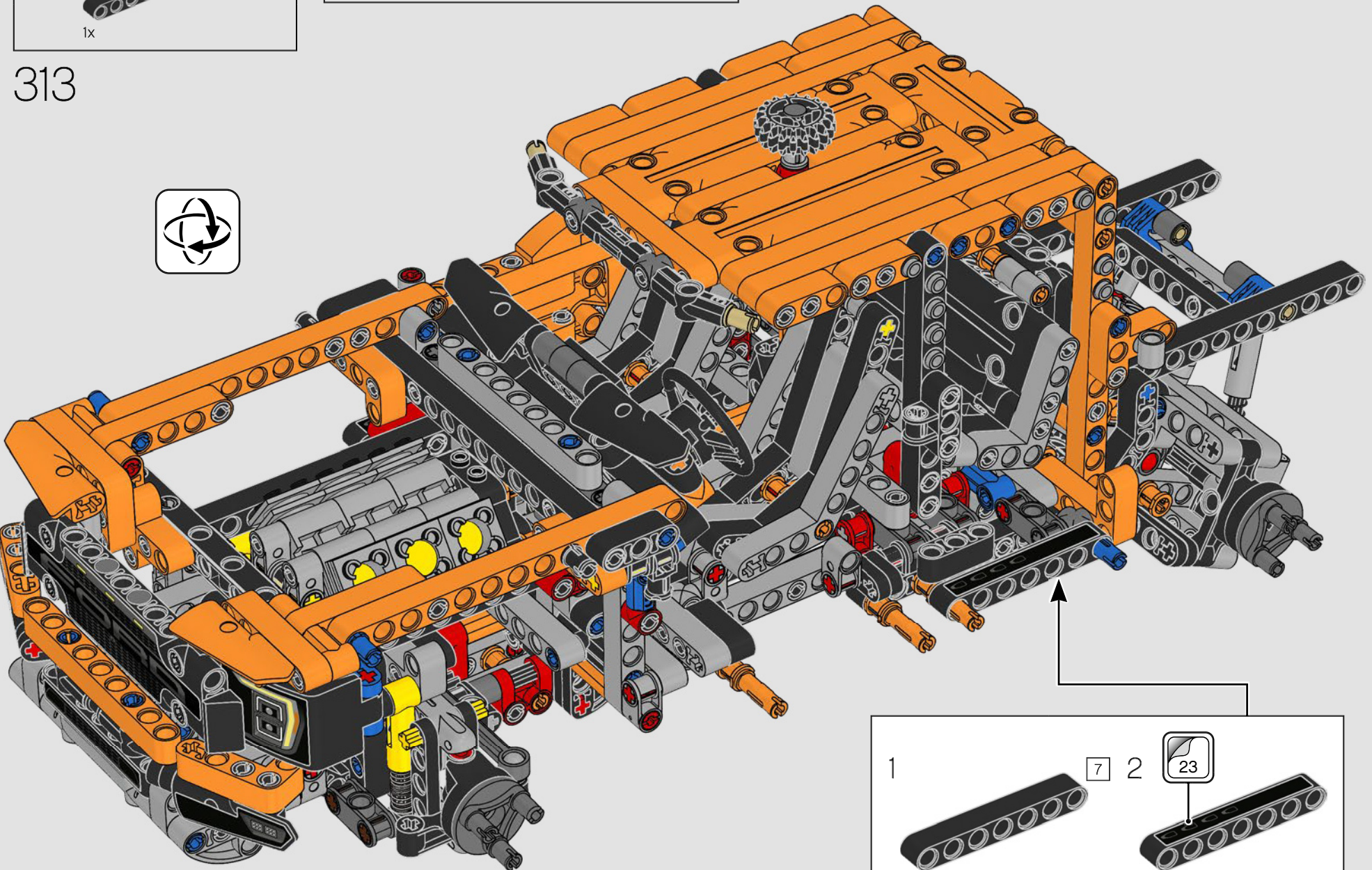
312



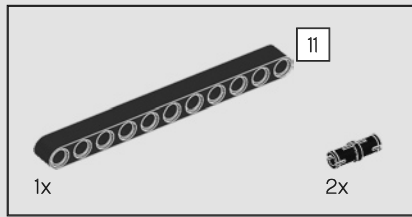




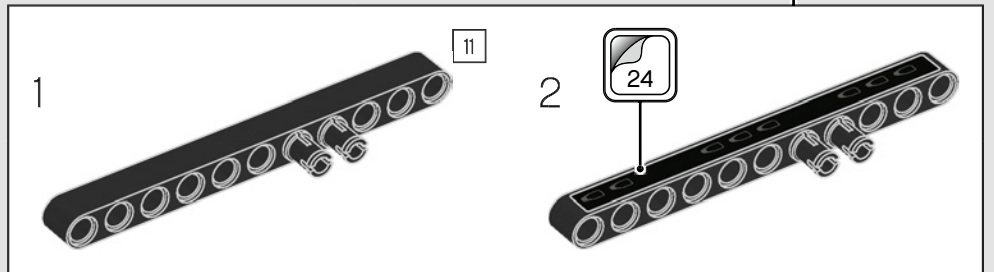
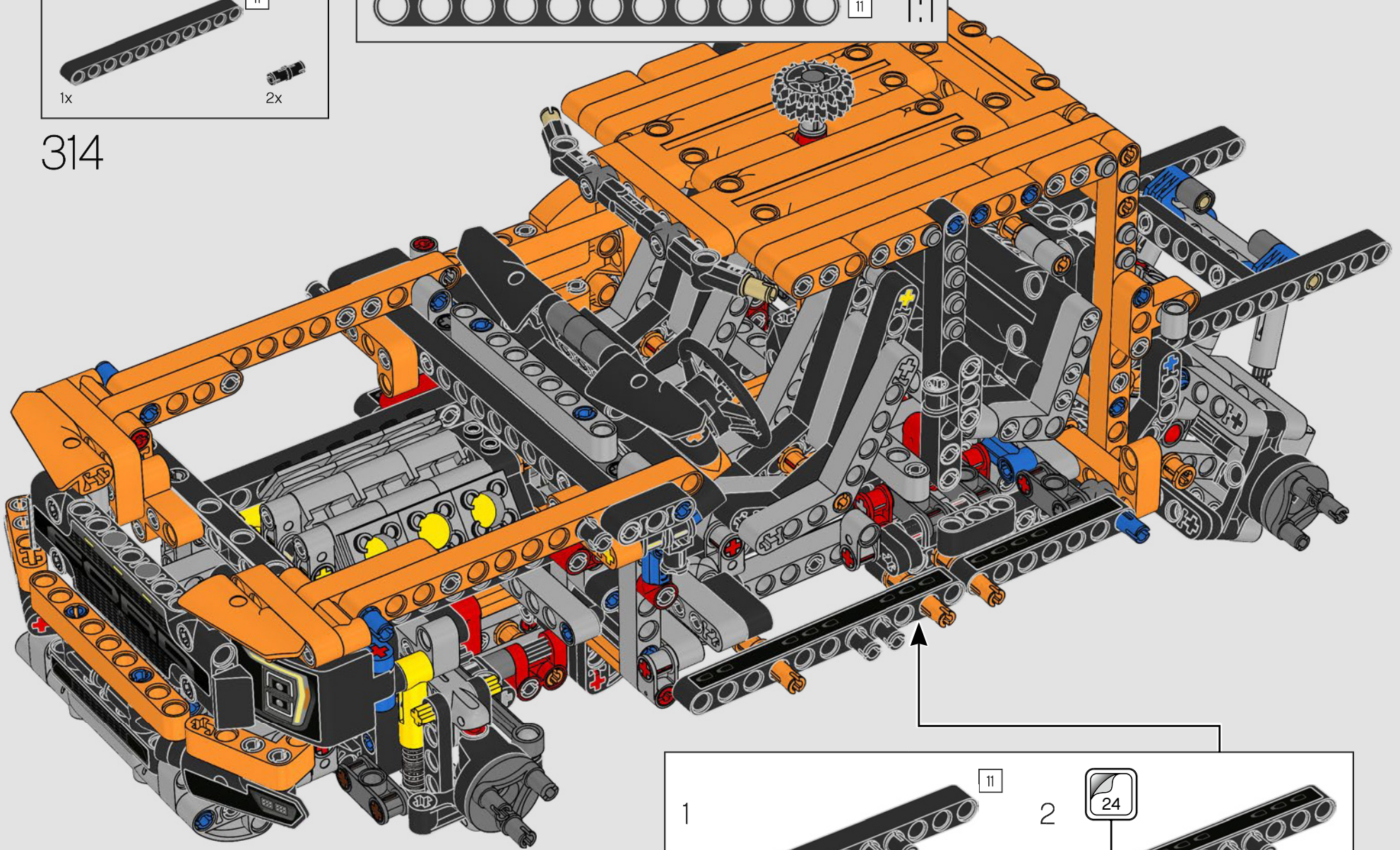
313



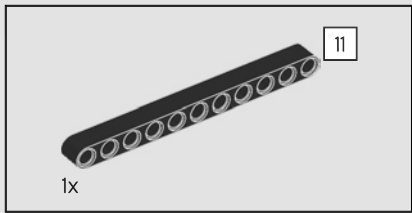




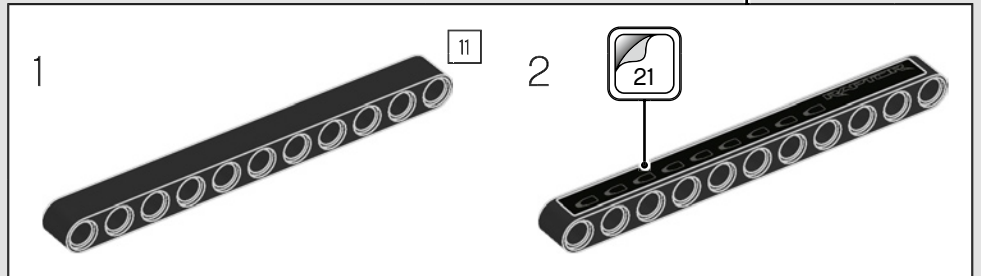
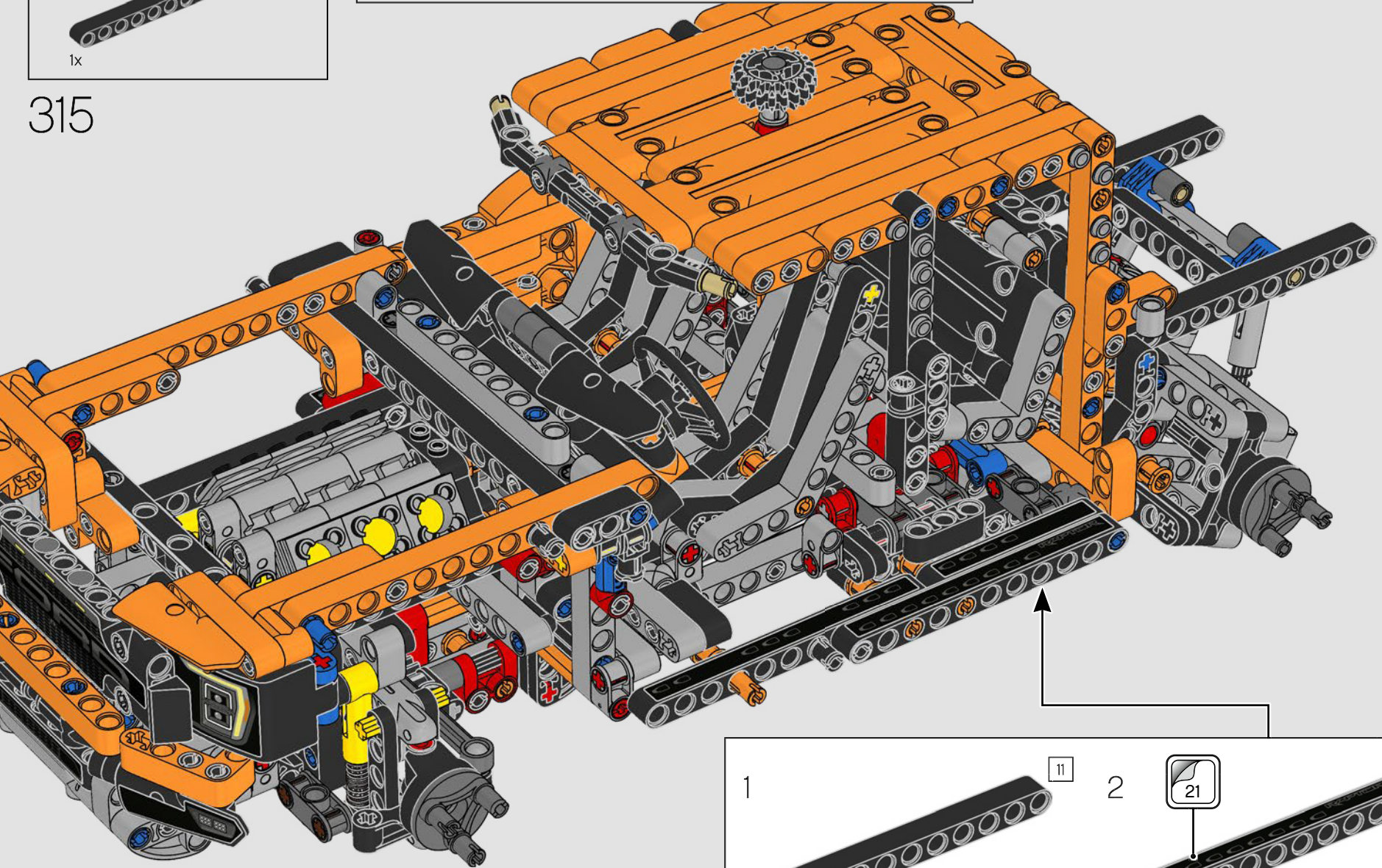
314



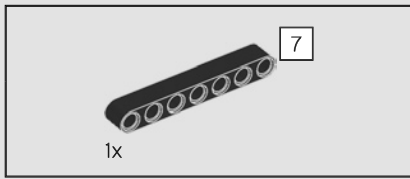




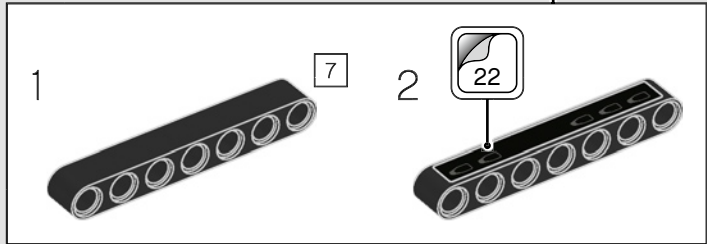
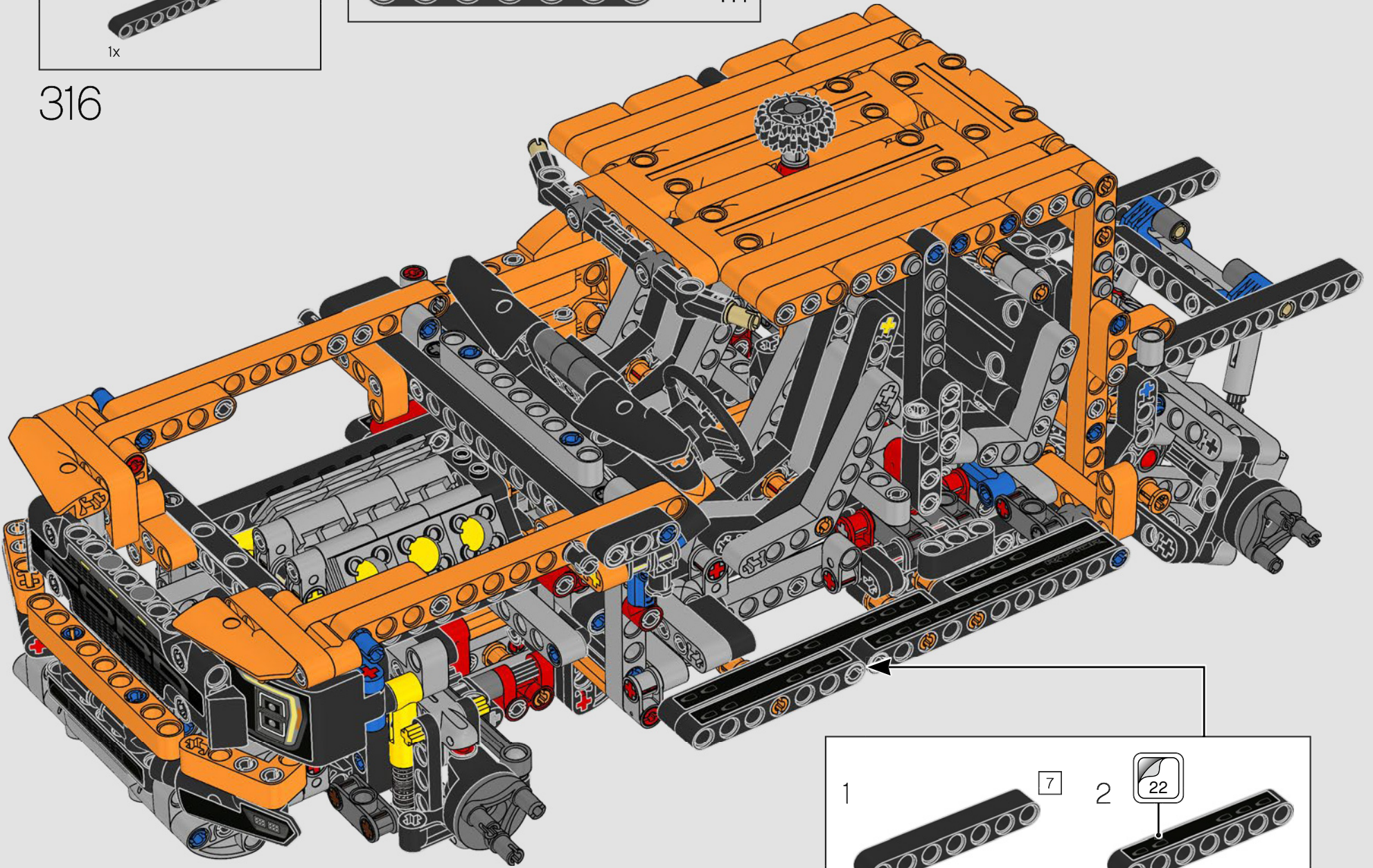
315



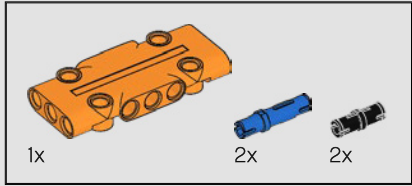
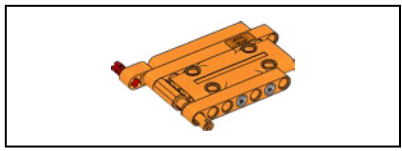




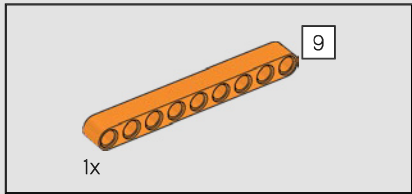
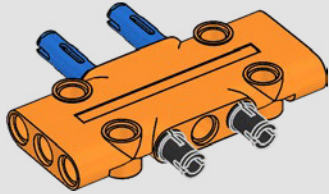
316



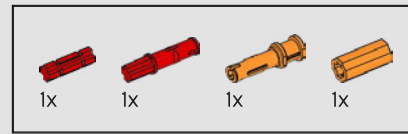
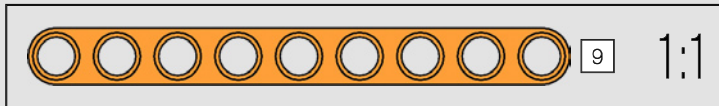
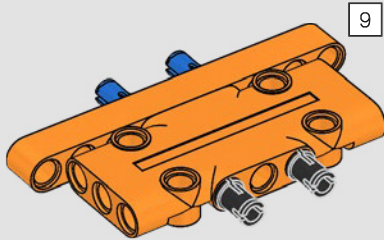




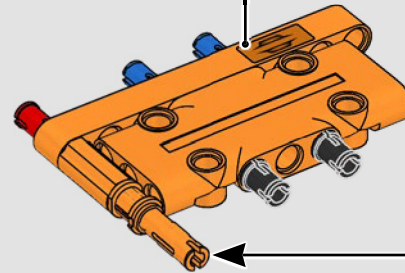
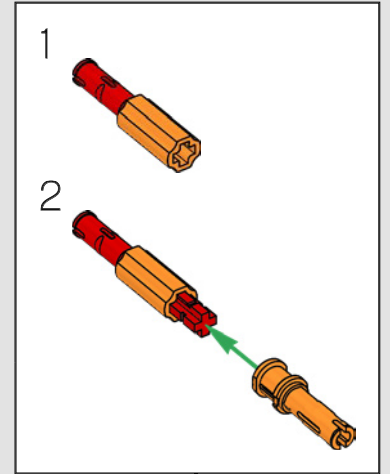
317

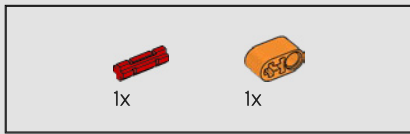


318

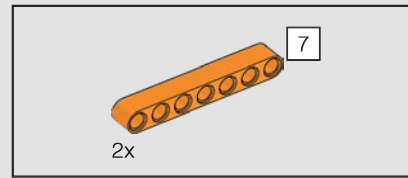
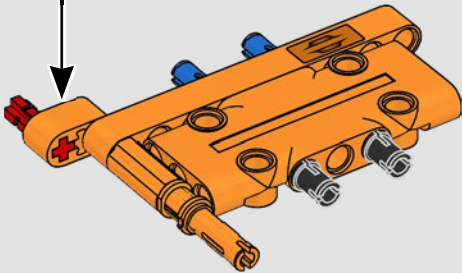


319

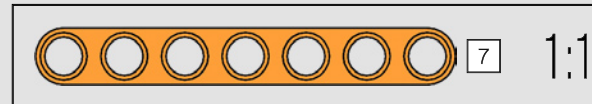
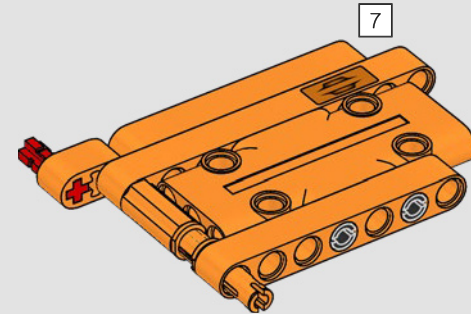


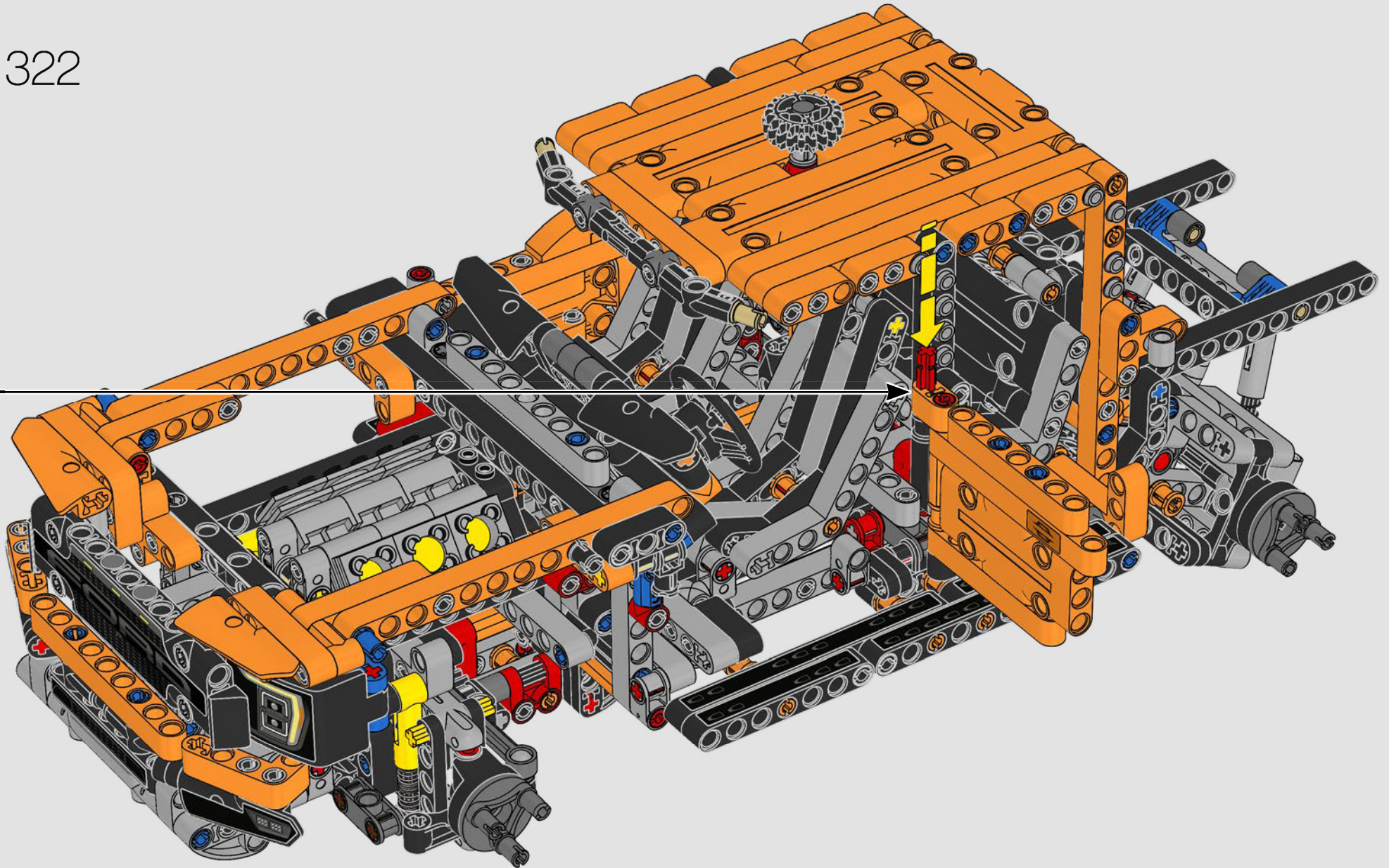


320

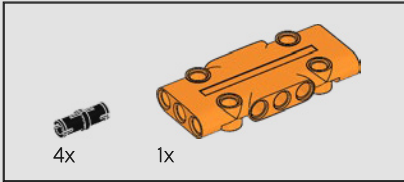
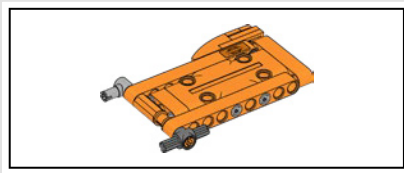


321

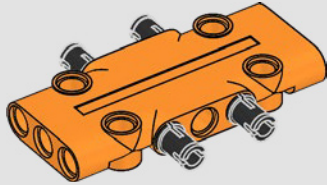




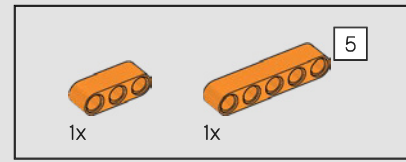
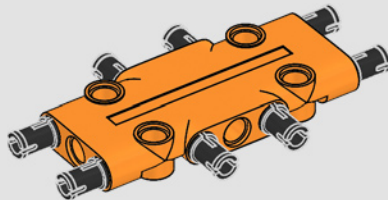




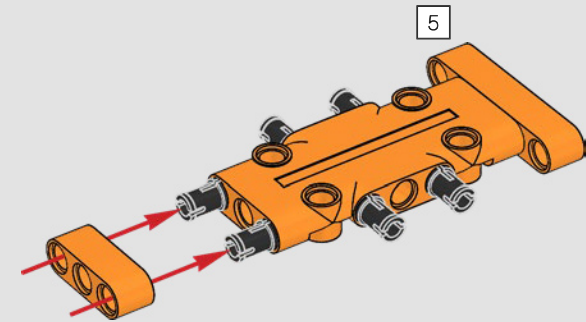
323

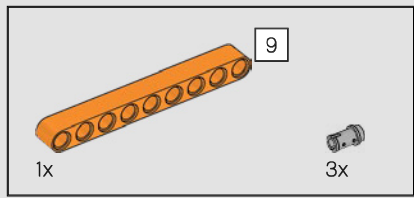


324

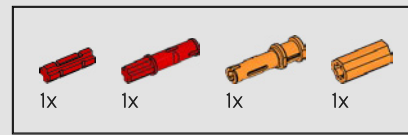
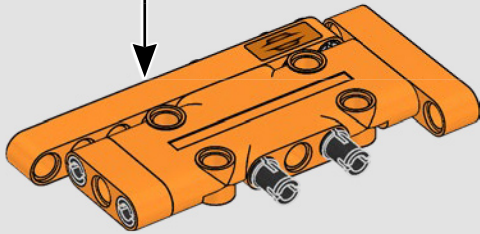
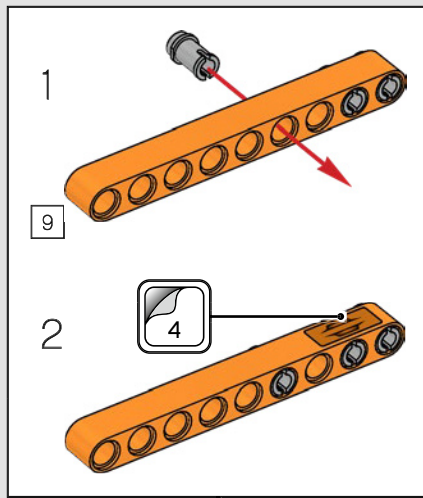


325

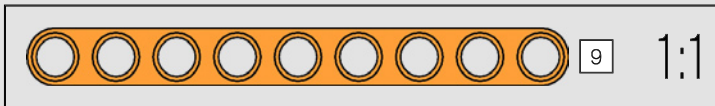
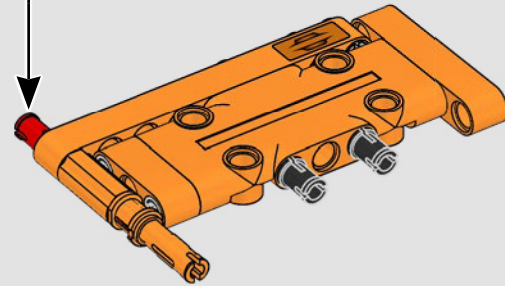
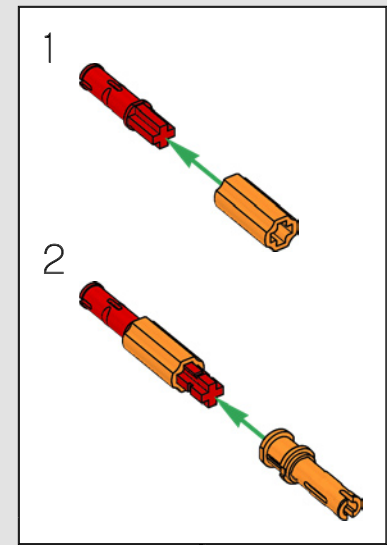


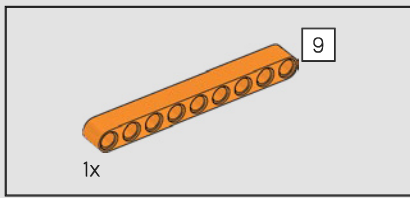


326

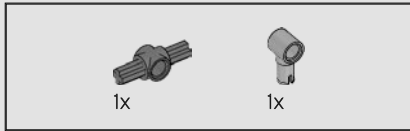
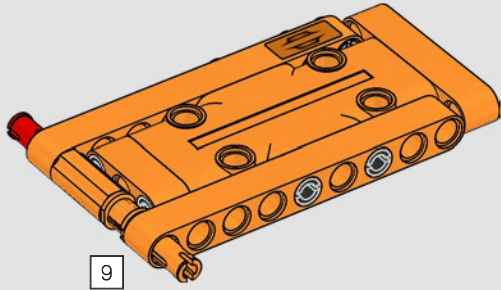


327

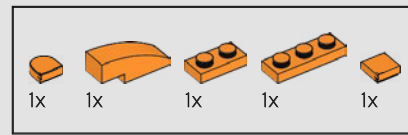
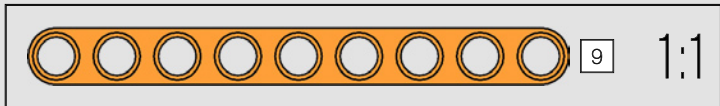
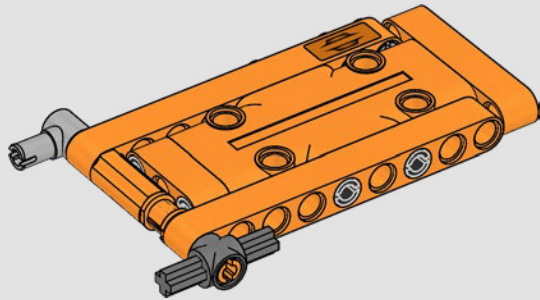




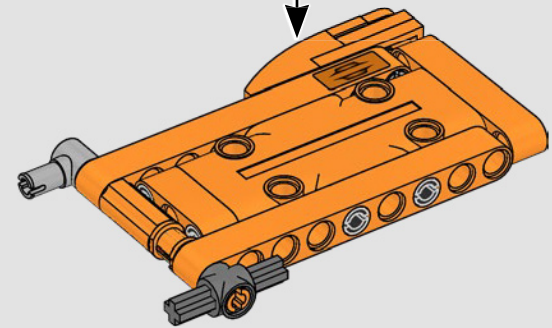
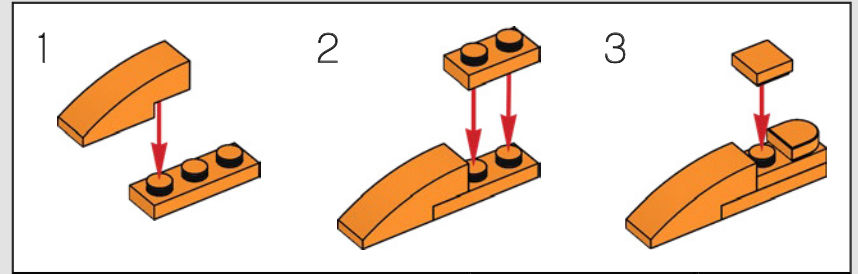
328



329

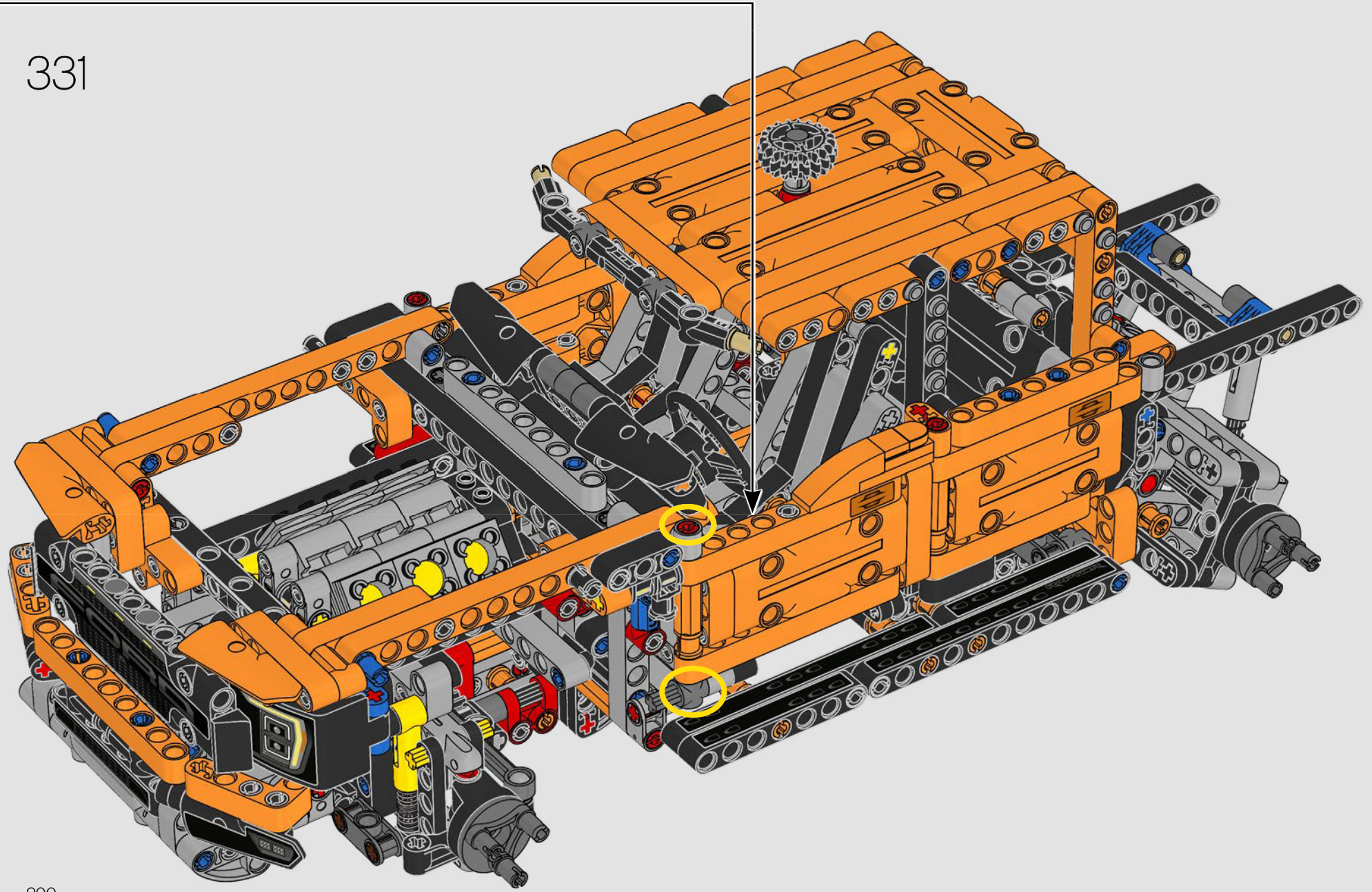


330

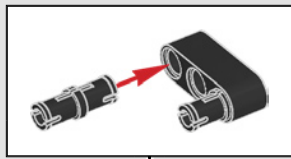
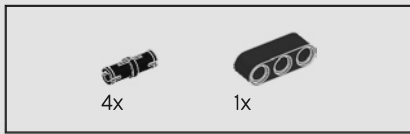




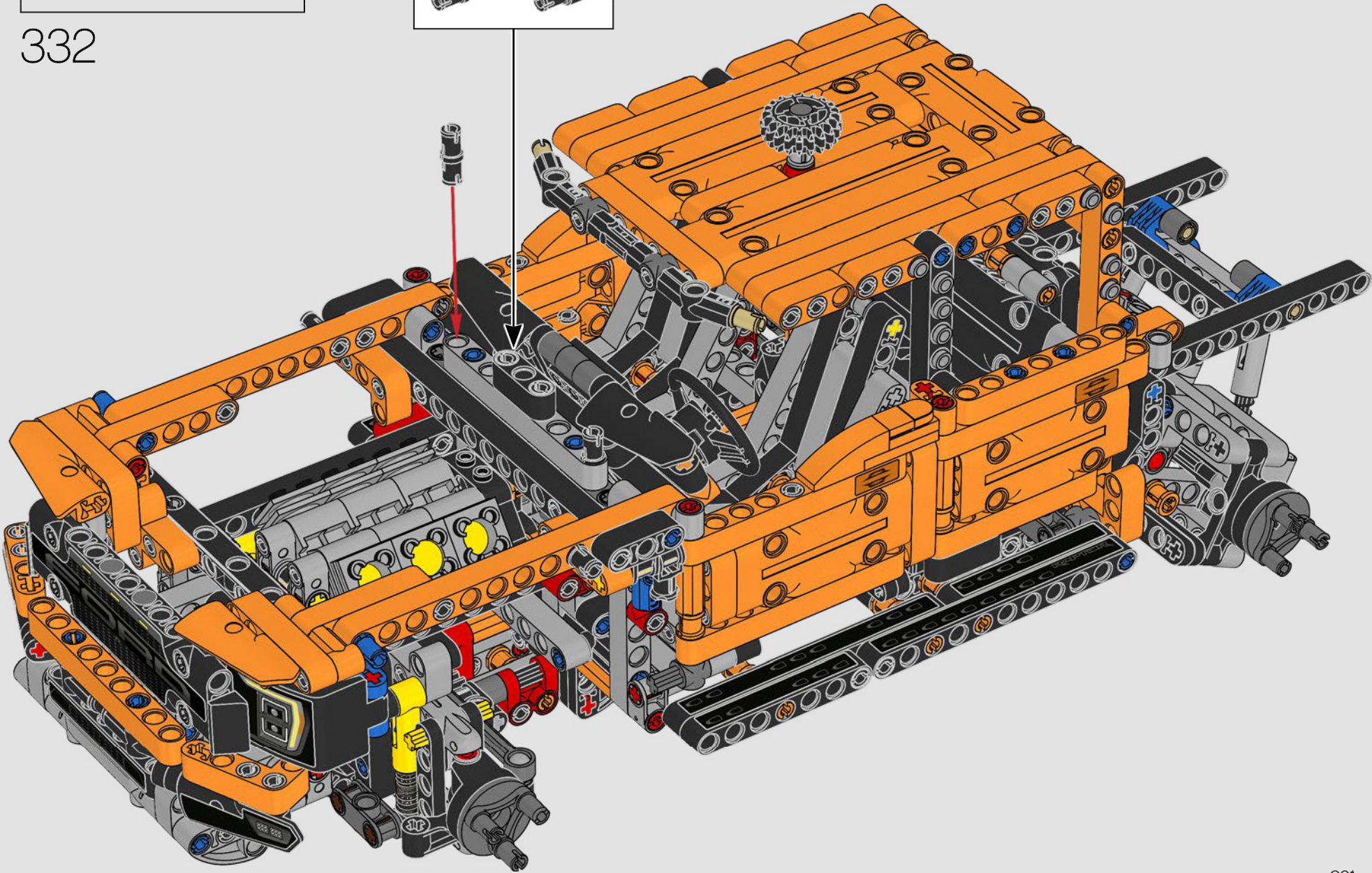
331

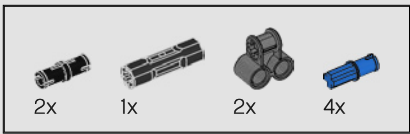






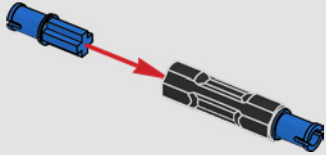
332



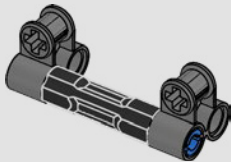


333

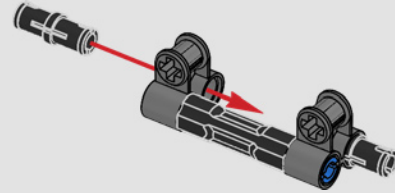
1



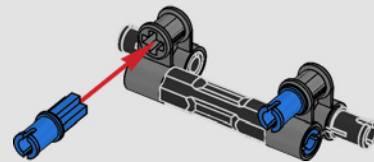
2



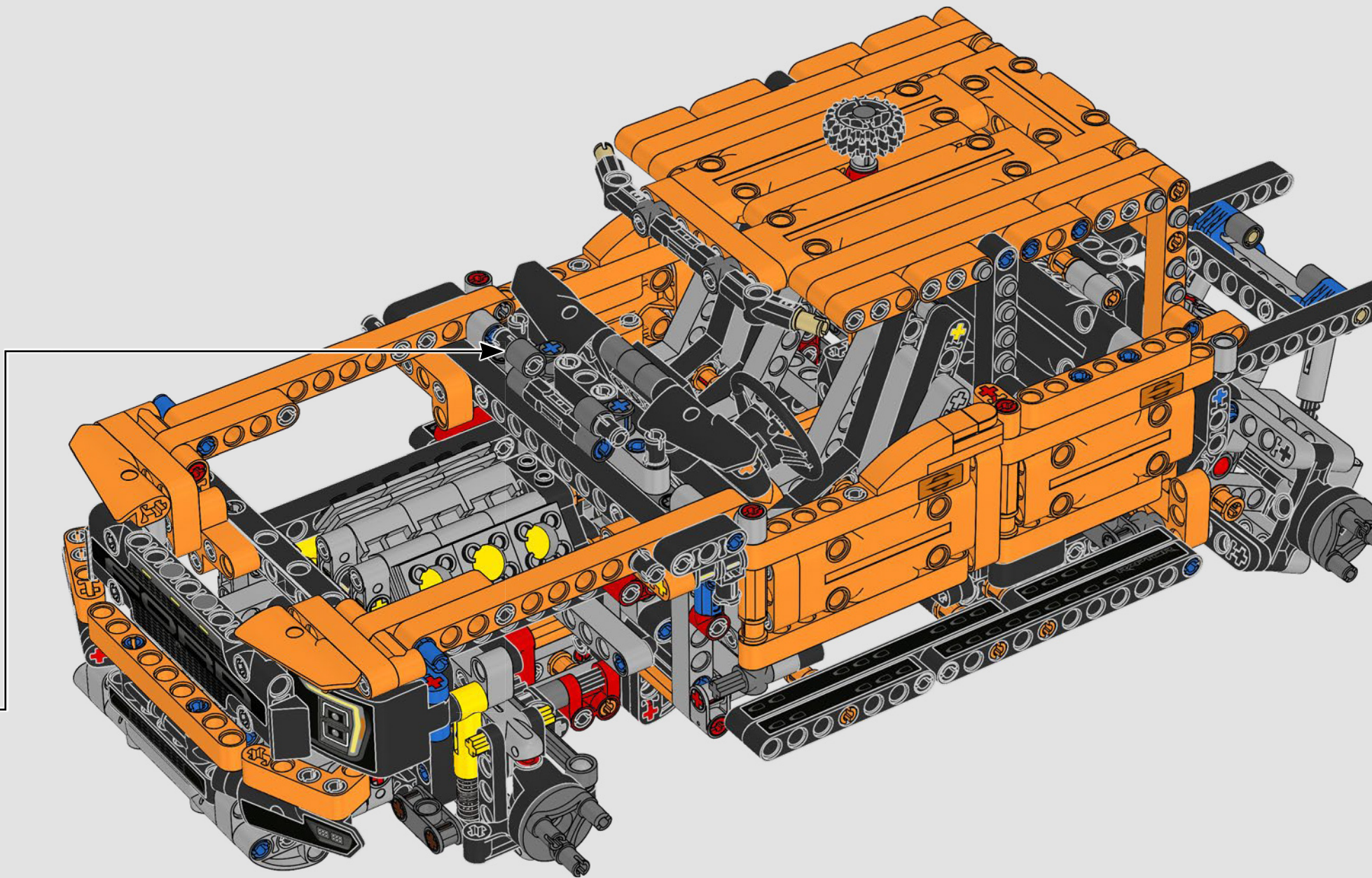
3

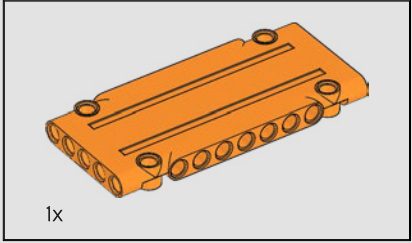
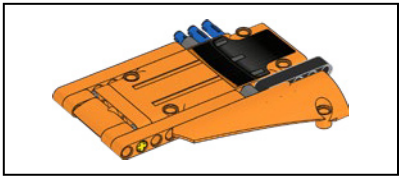


4

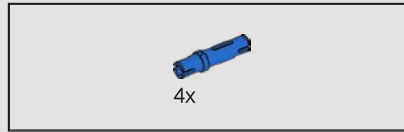
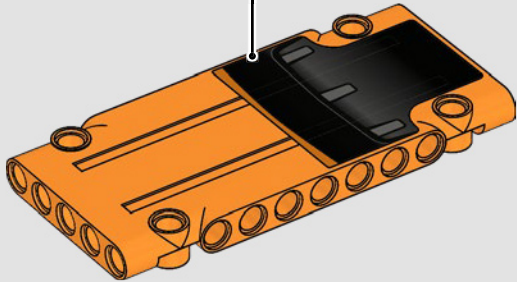




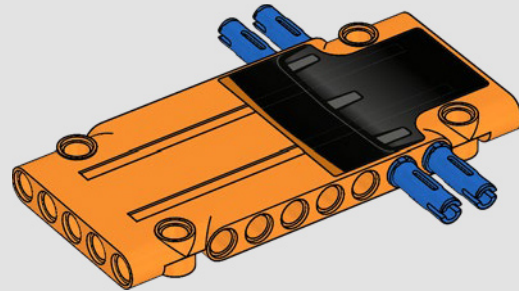


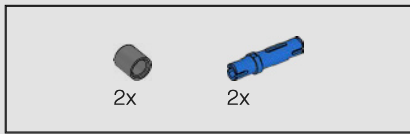


334

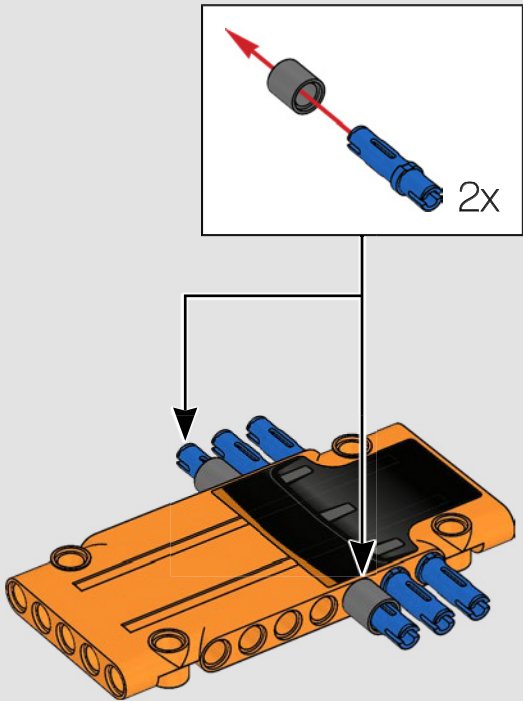


335

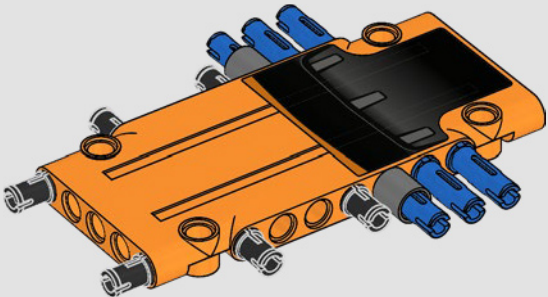




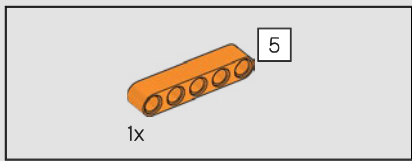
336



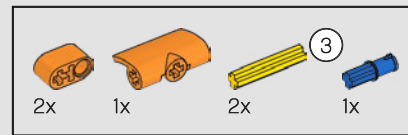
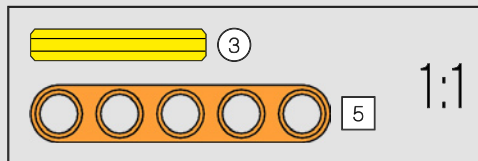
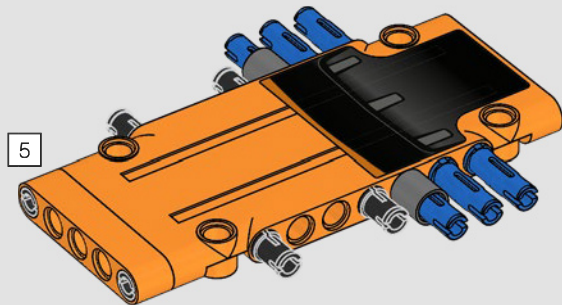
337



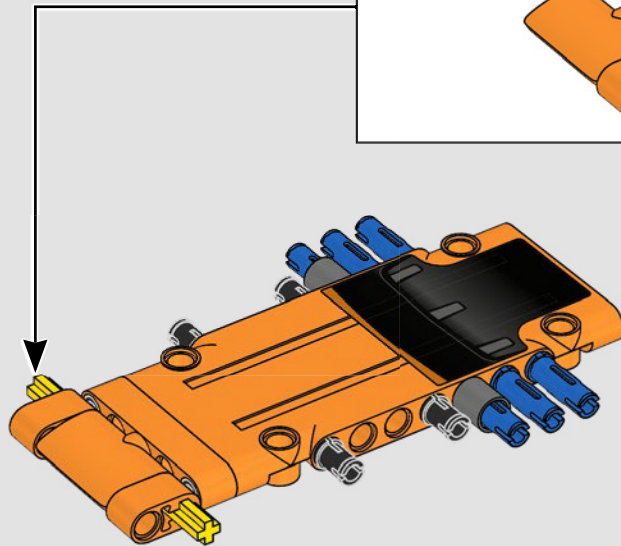
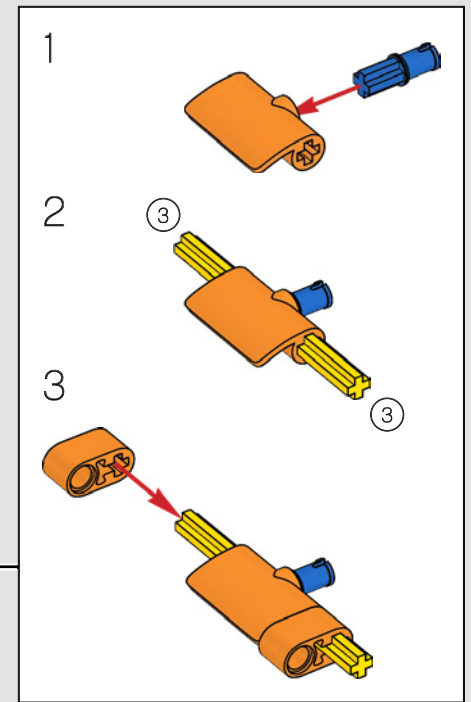


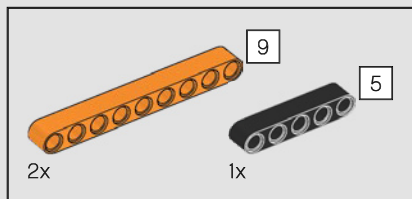


338

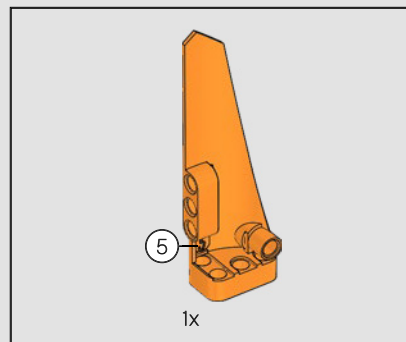
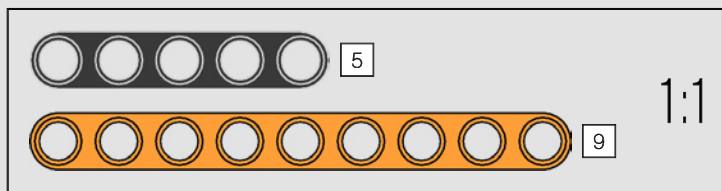
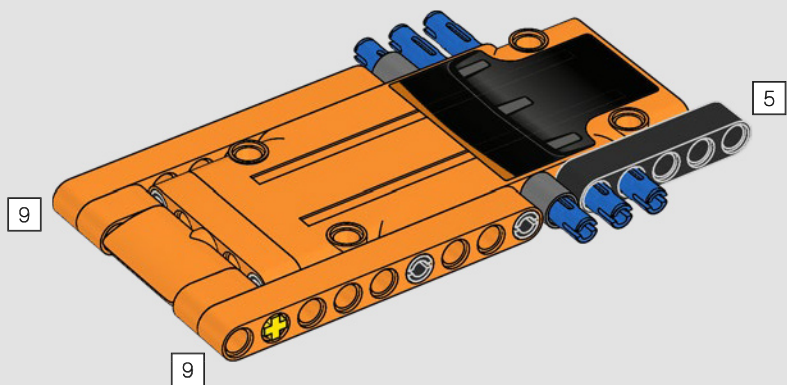


339

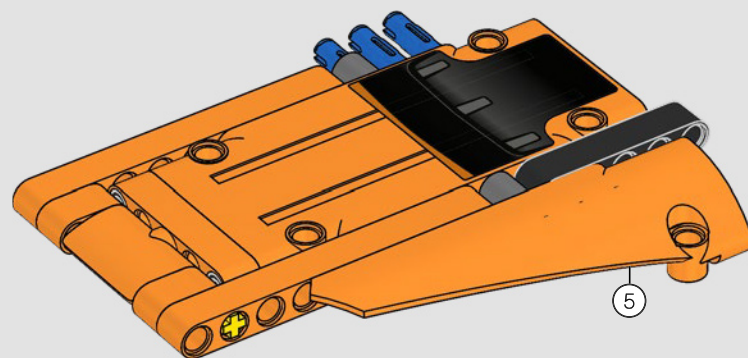




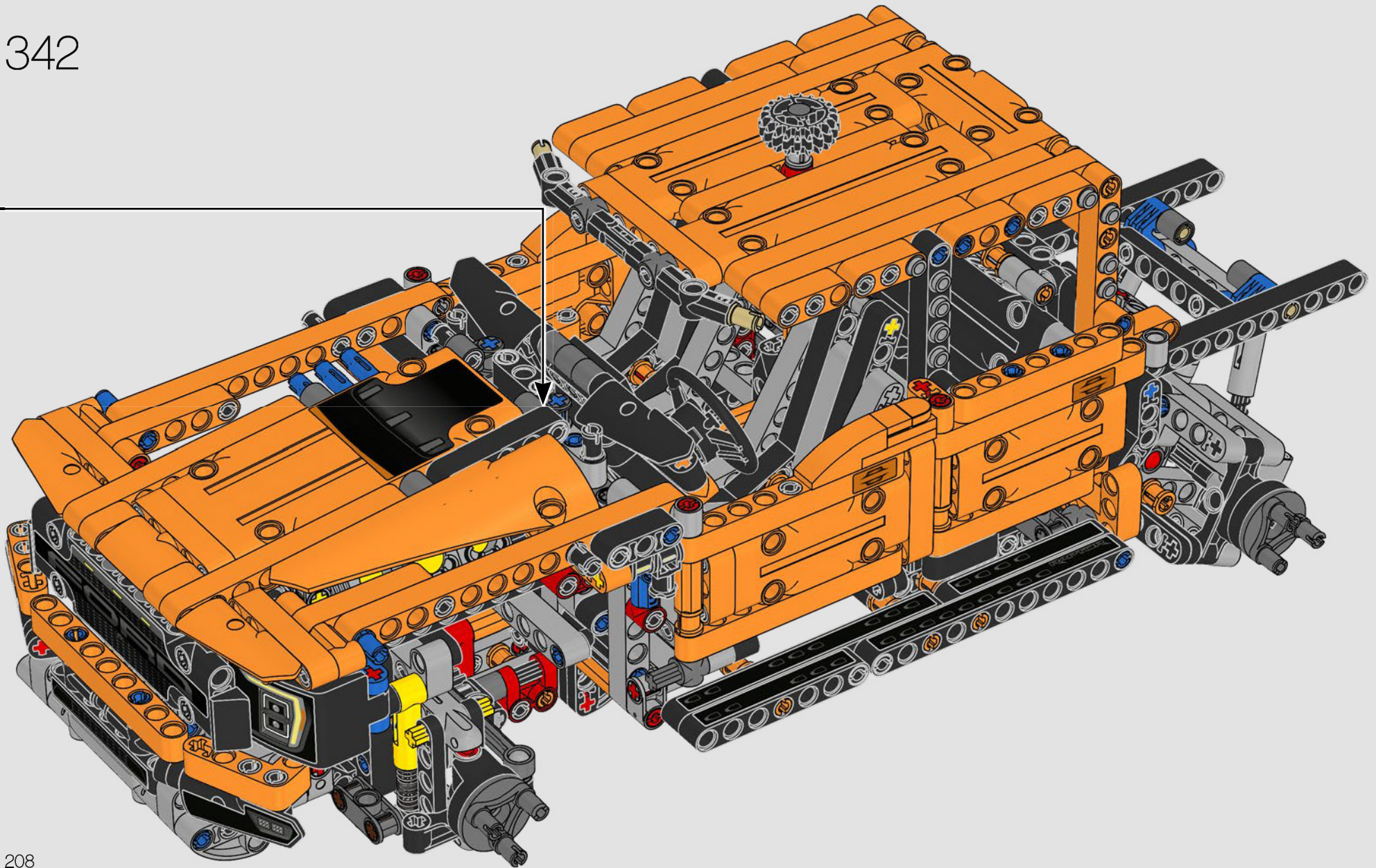
340



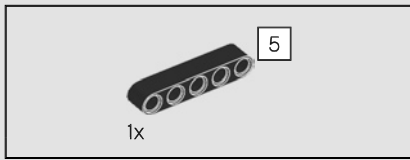
341



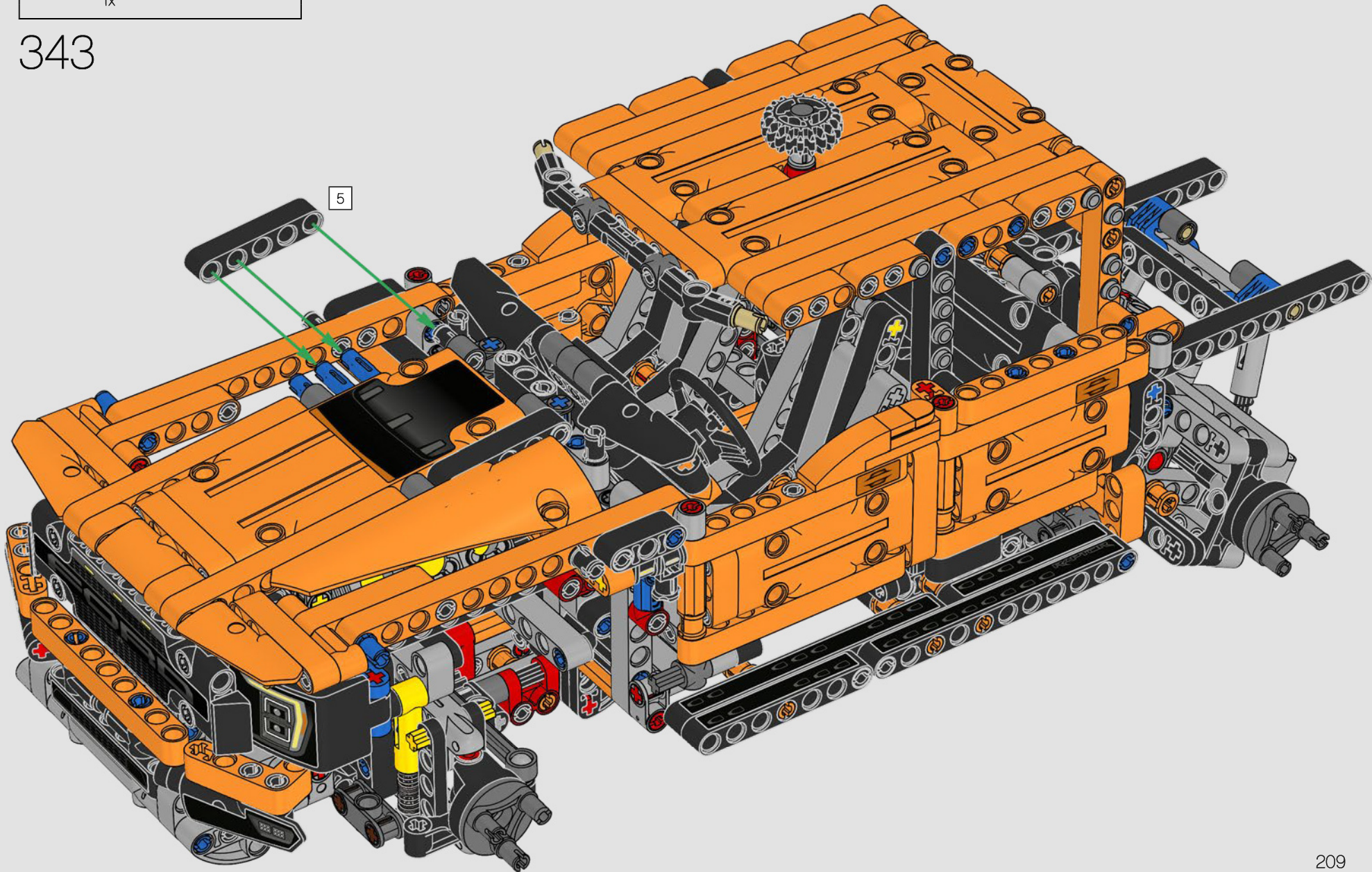
342



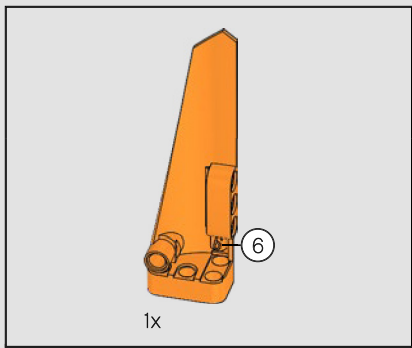




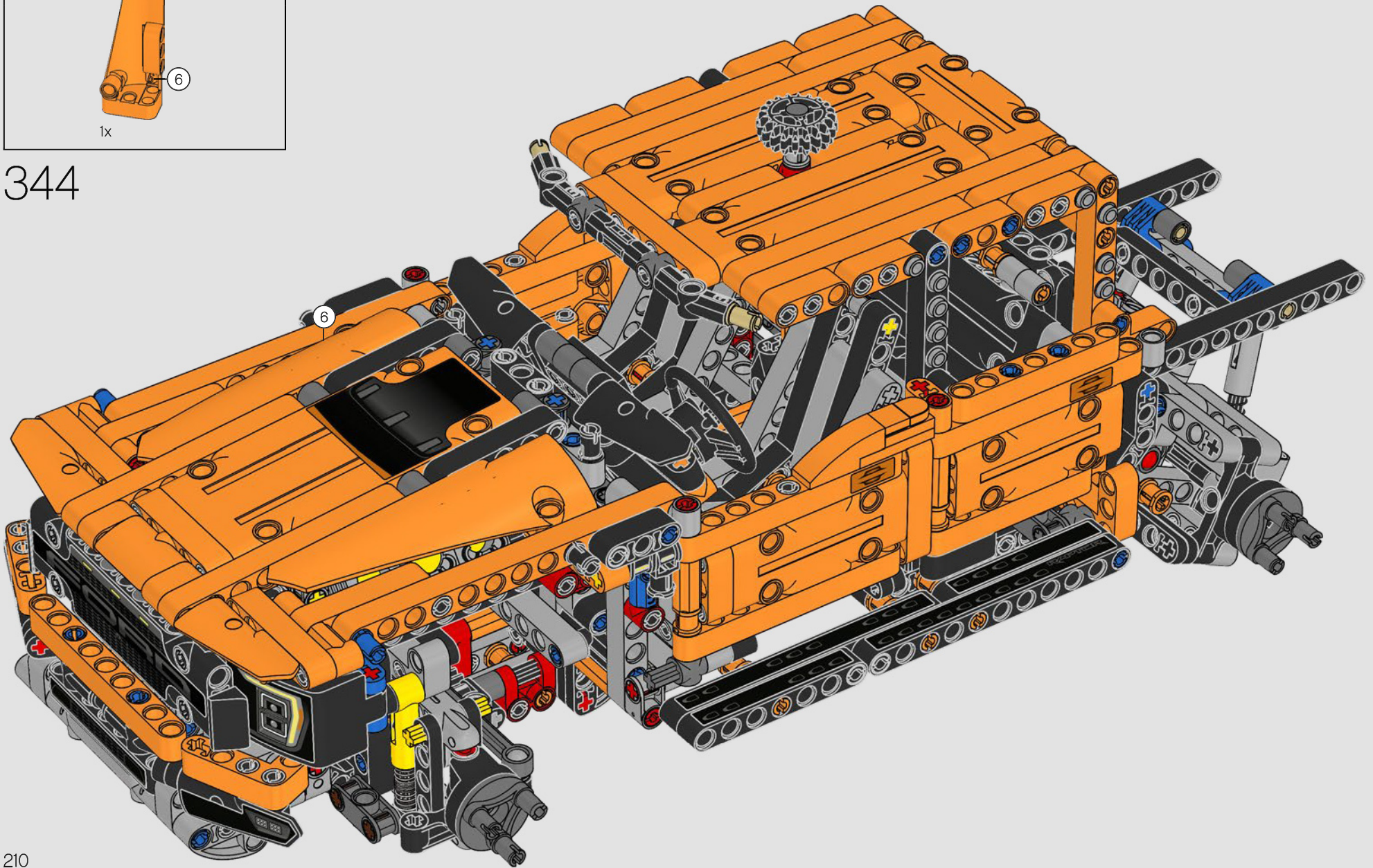
343







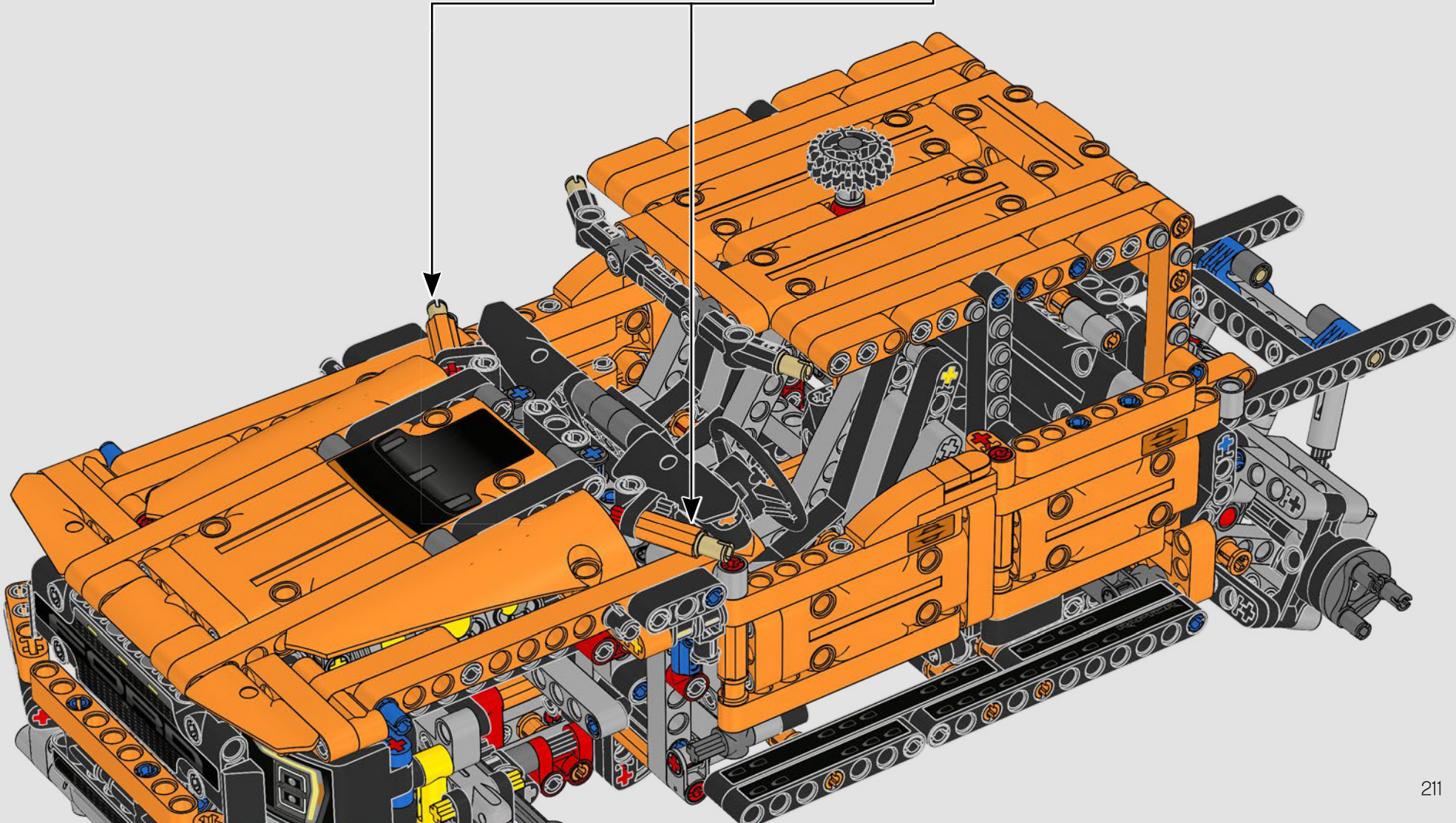
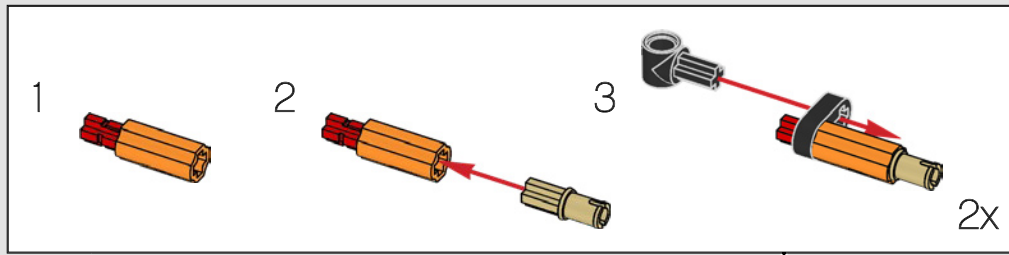
344



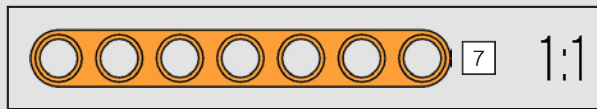
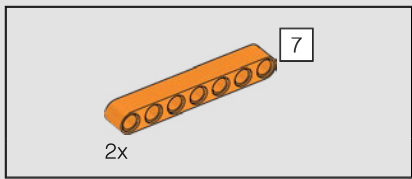




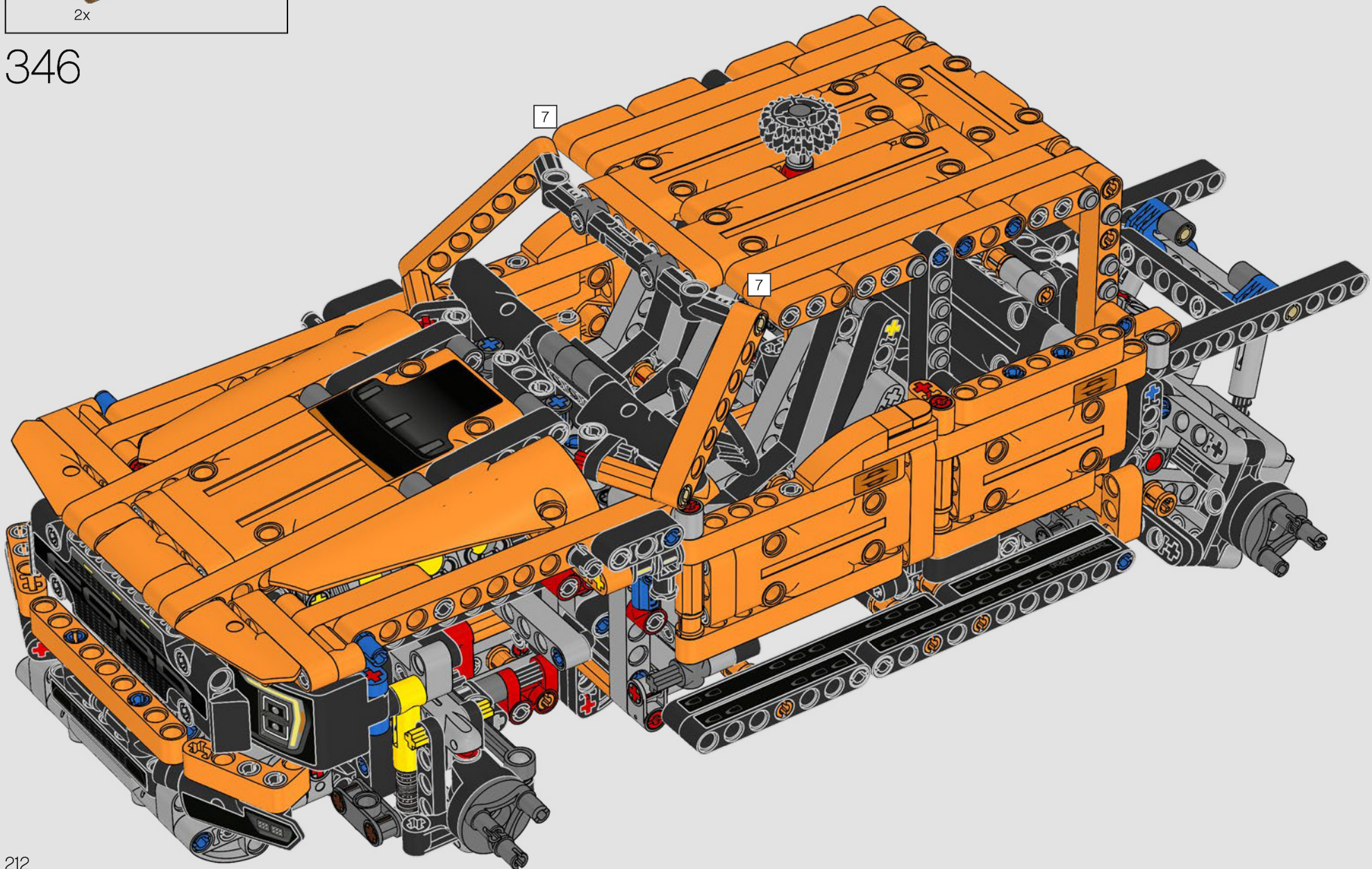
345

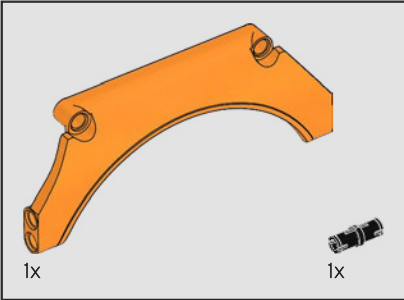
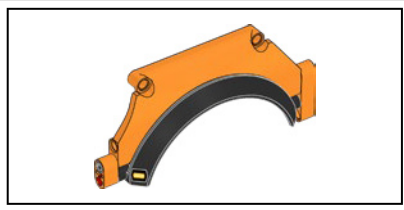




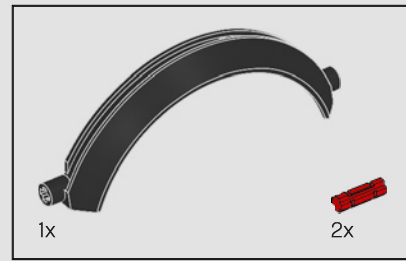
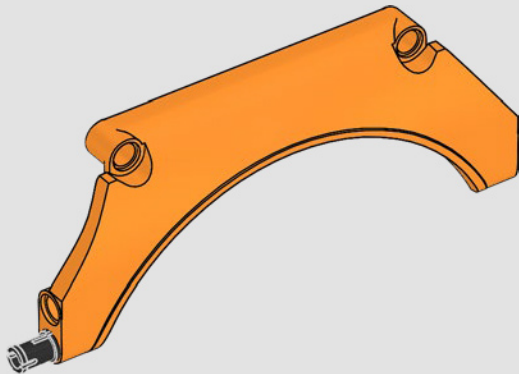


346

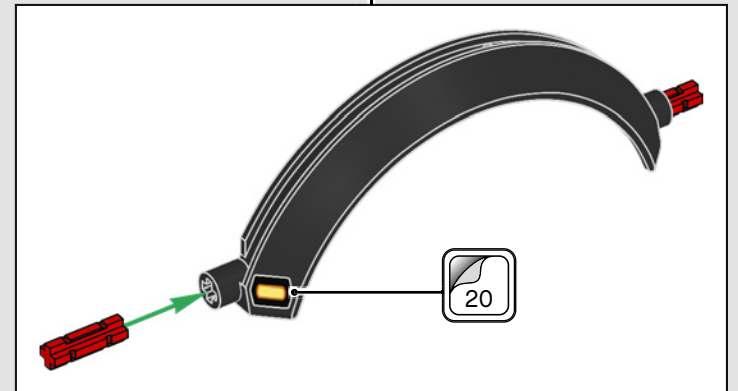
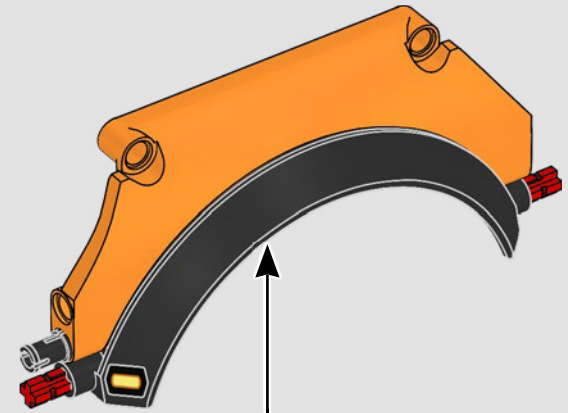


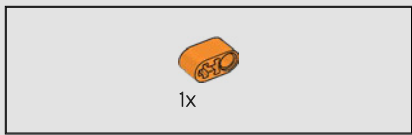


347

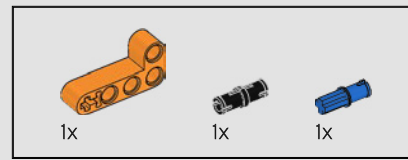
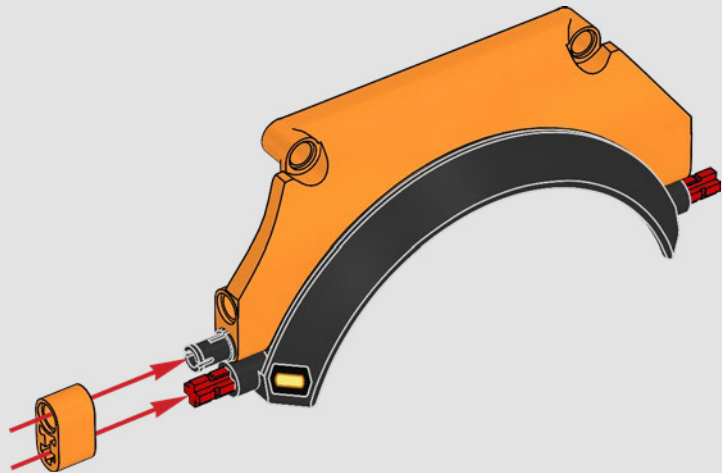


348

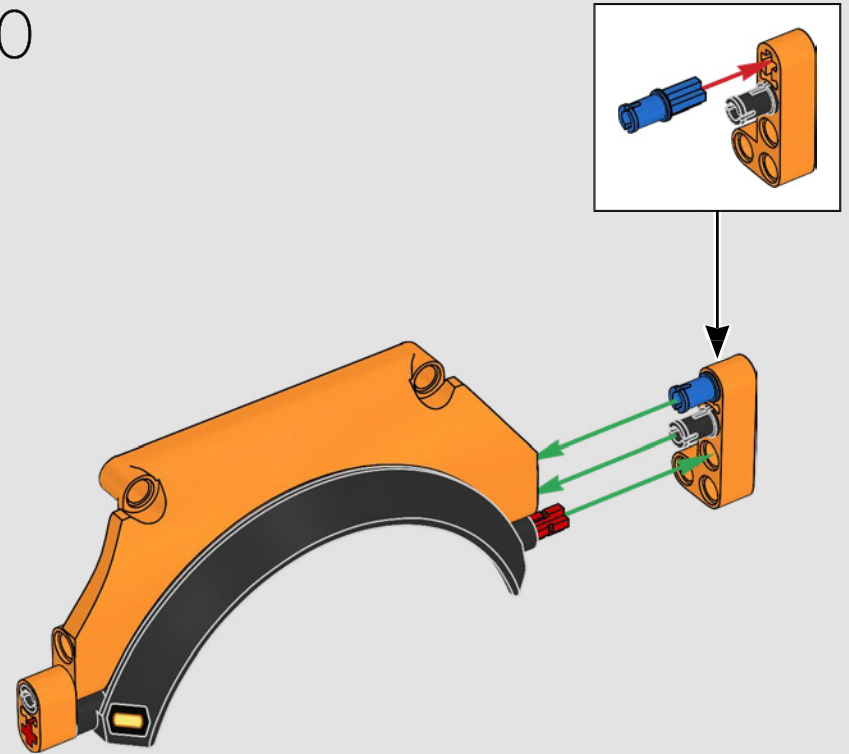




349

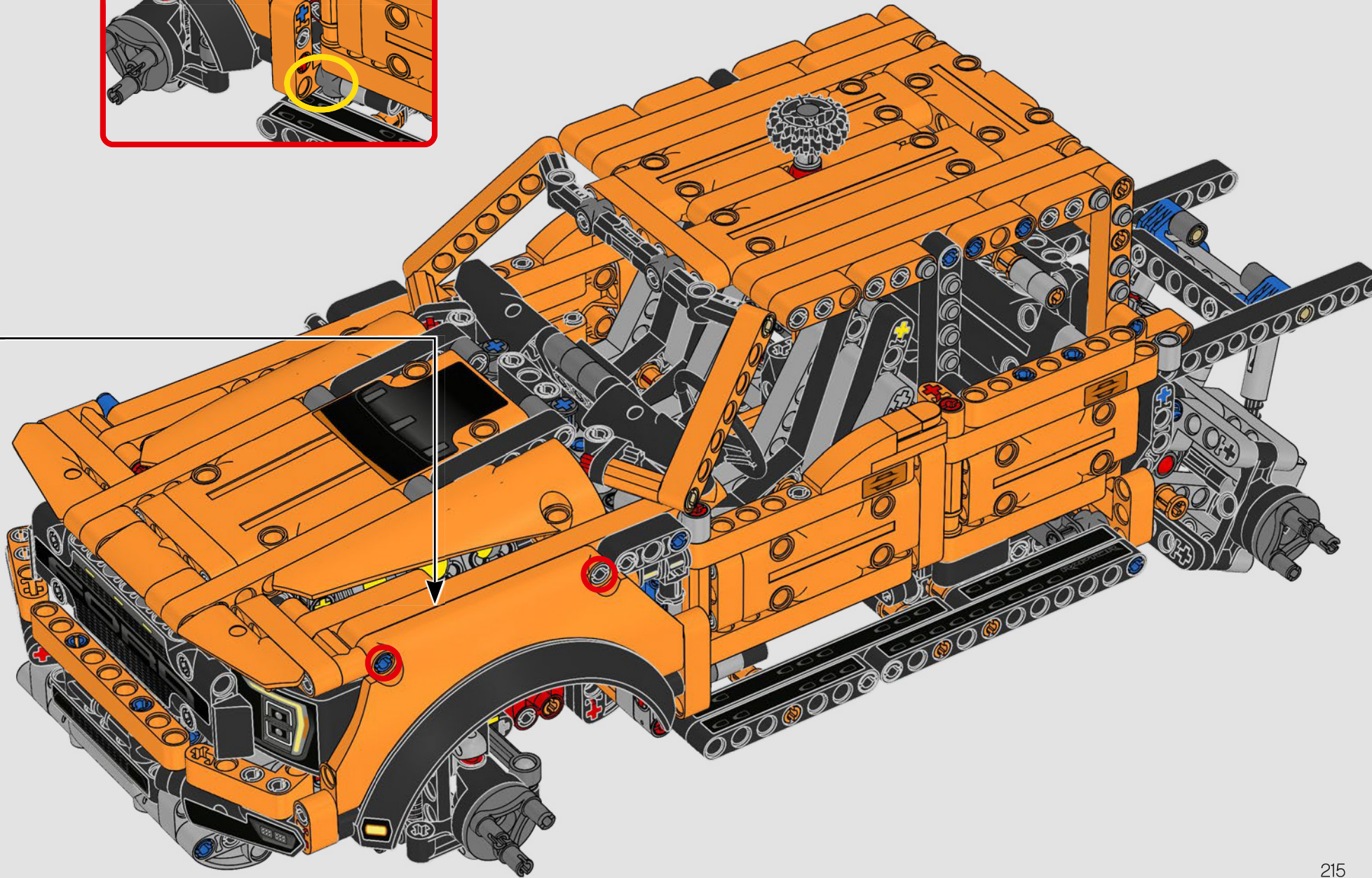
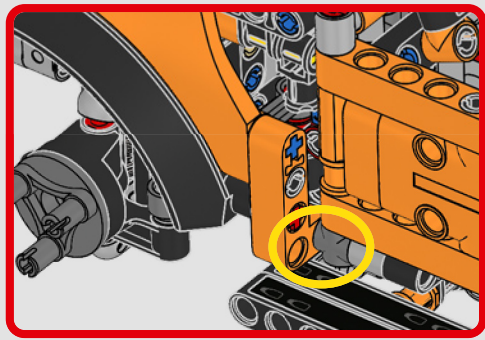


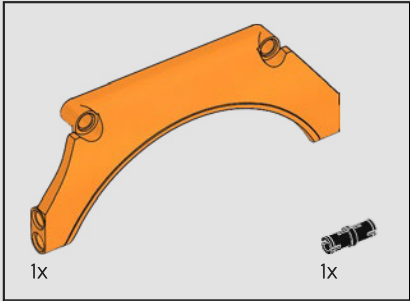
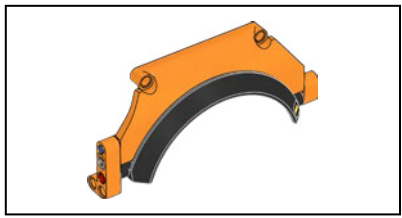
350



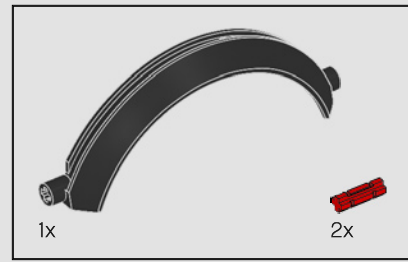
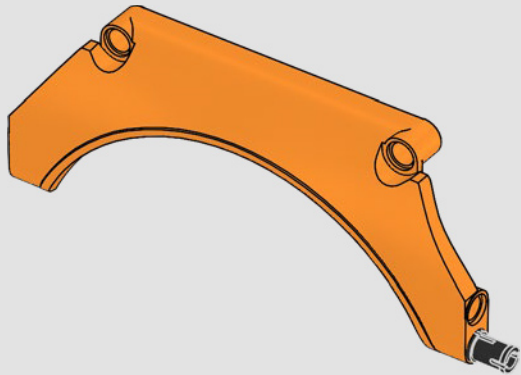


351

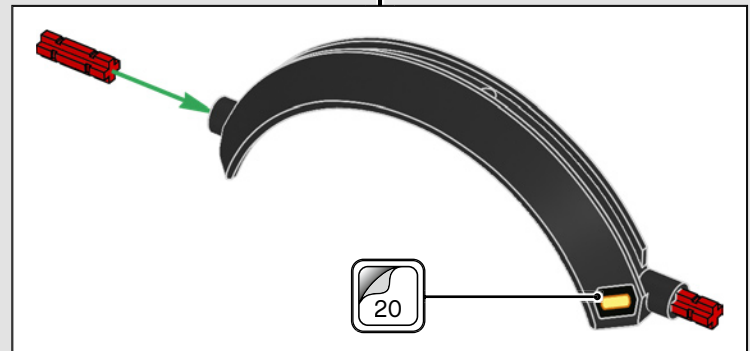
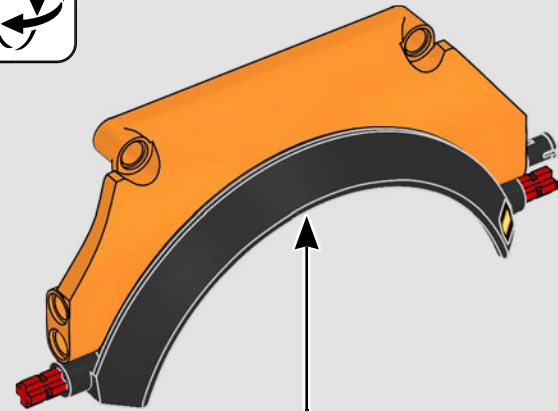
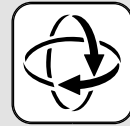


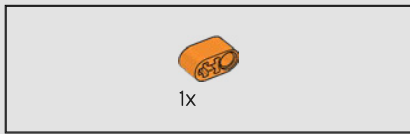


352

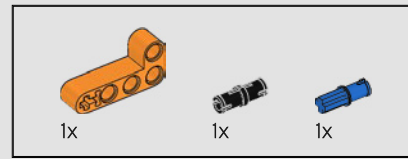
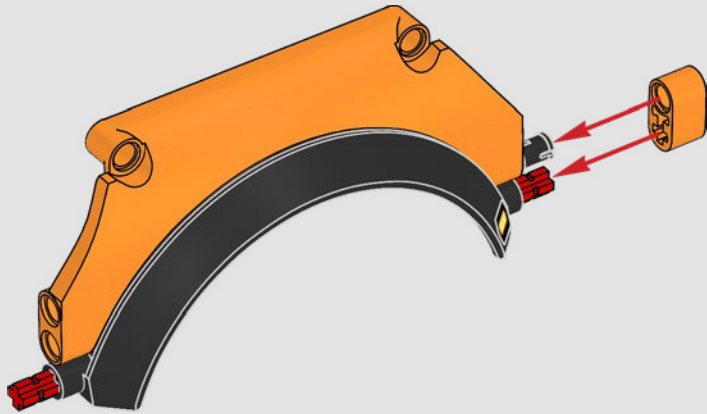


353

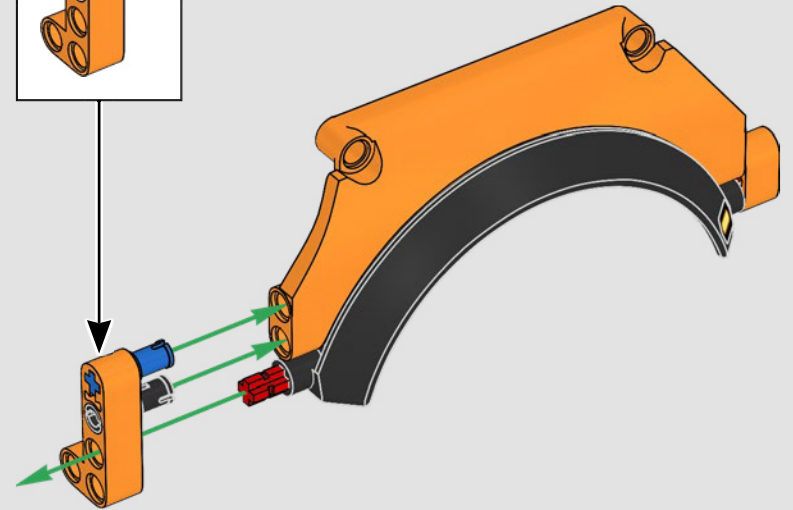
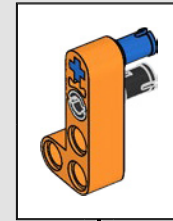




354

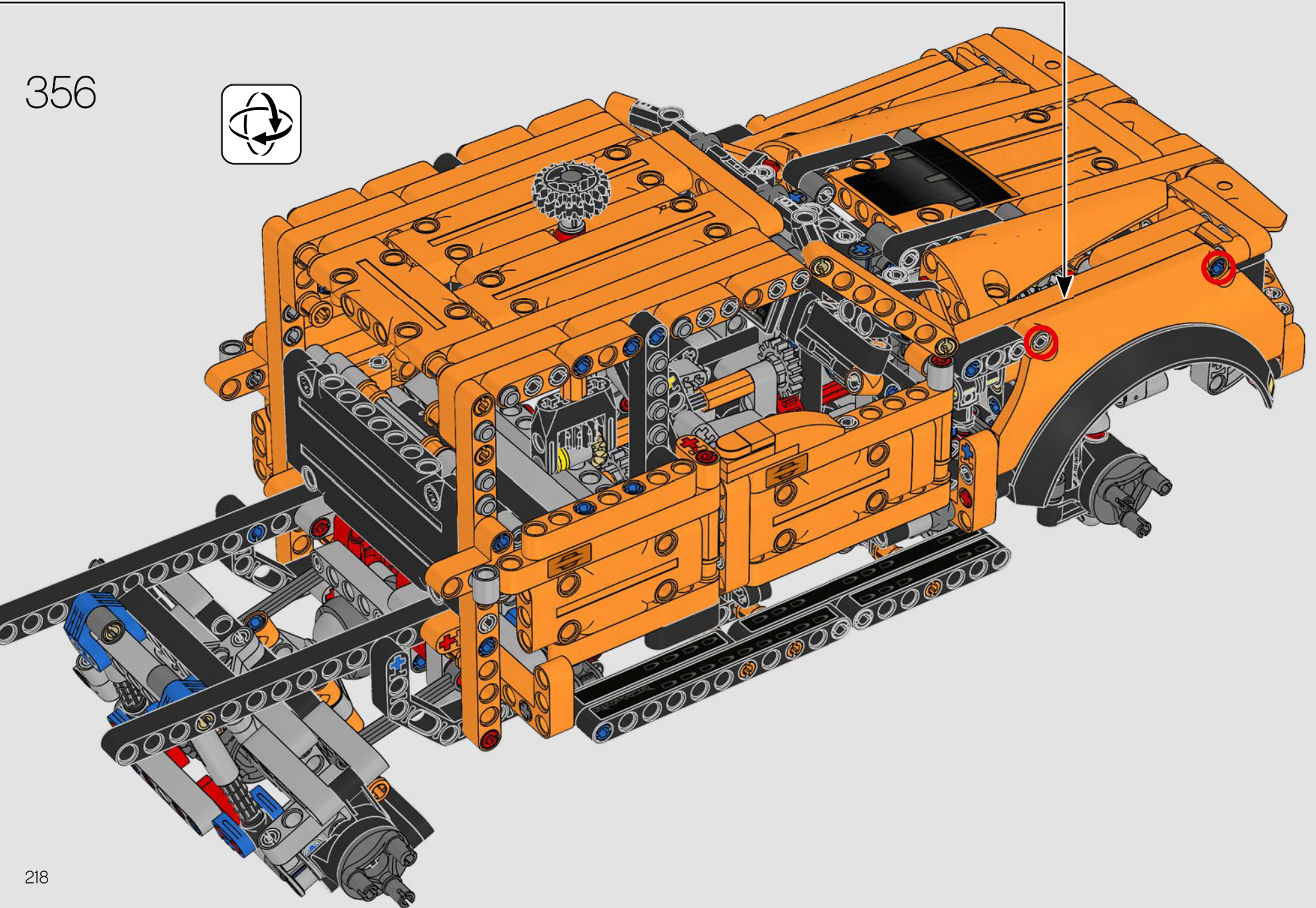


355





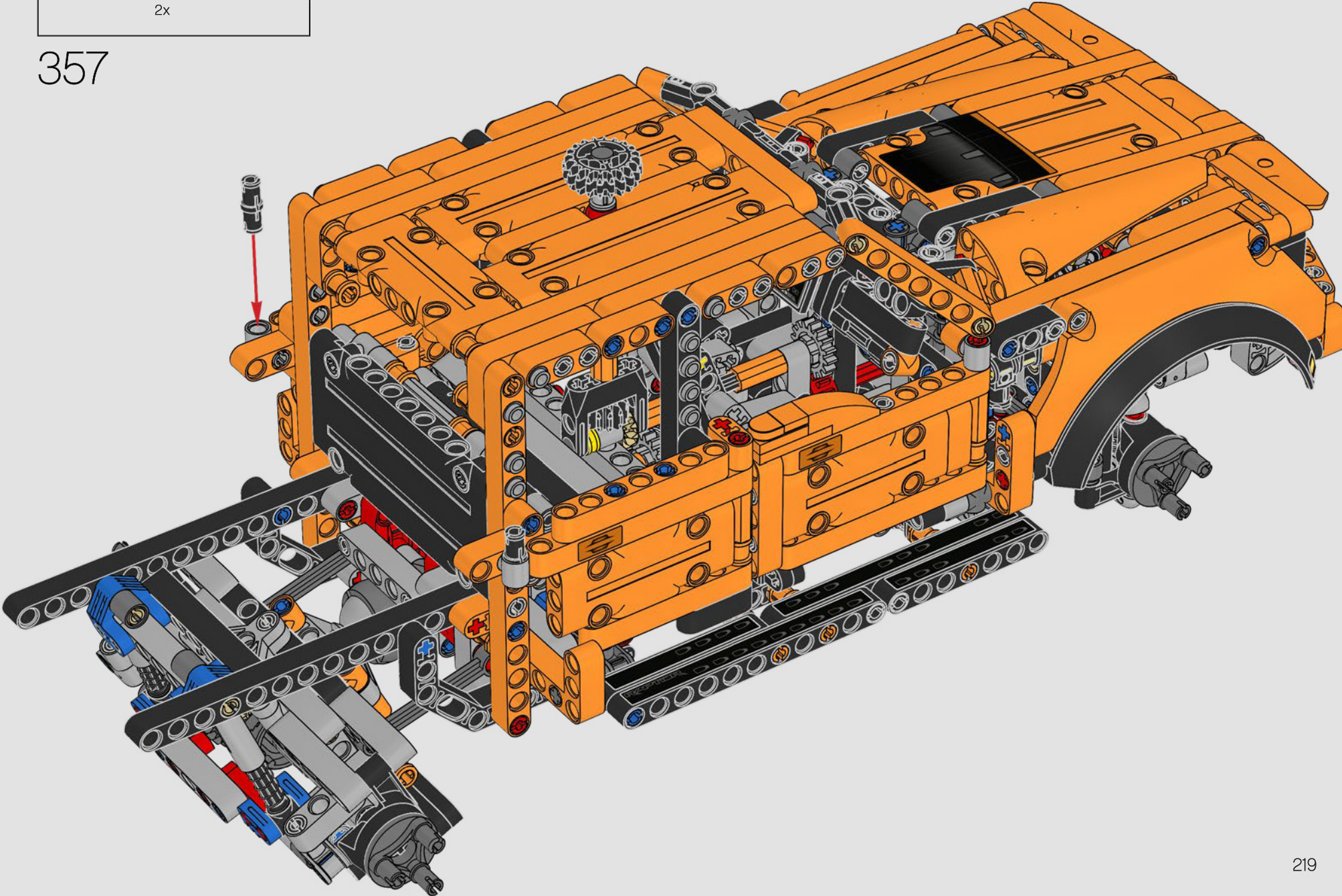
356

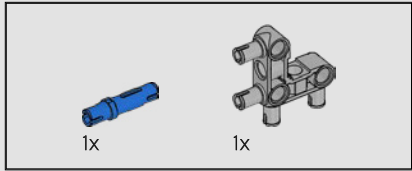
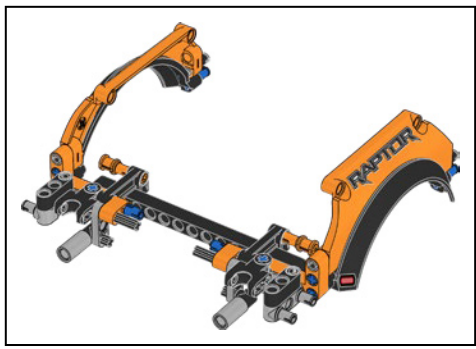




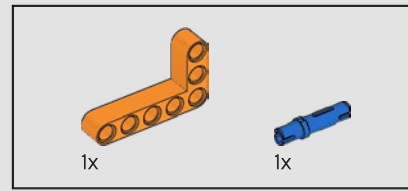
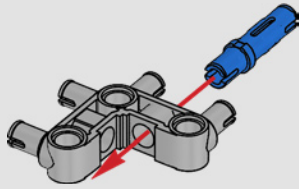


357

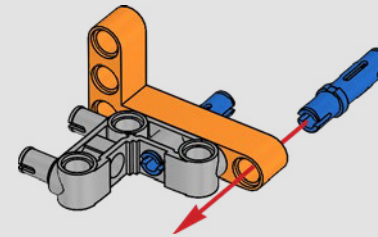




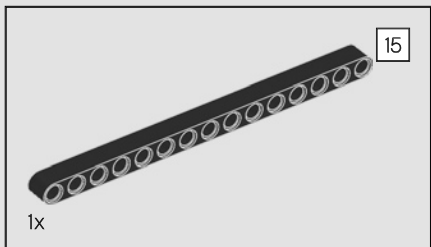
358



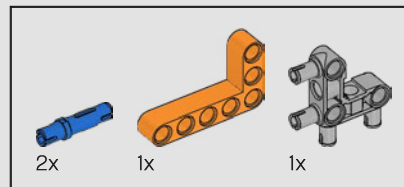
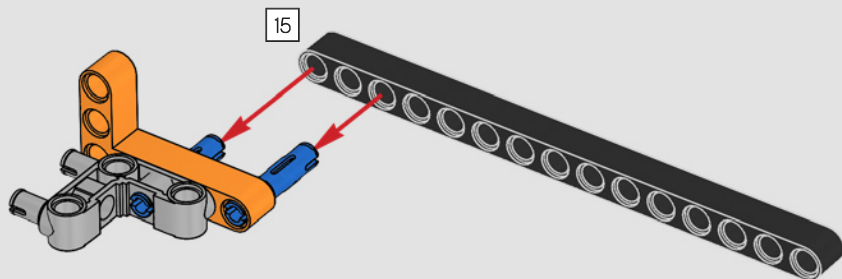
359



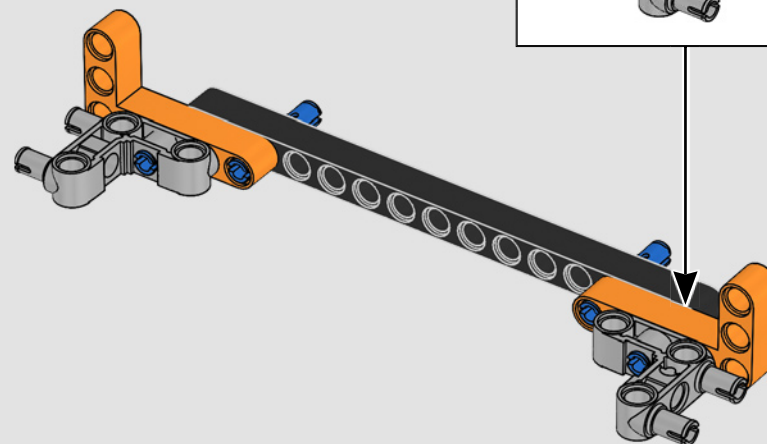
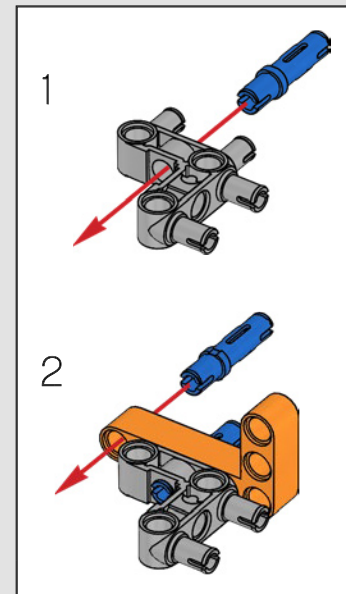


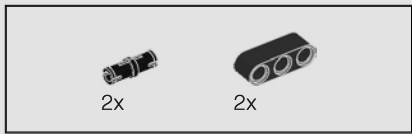


360

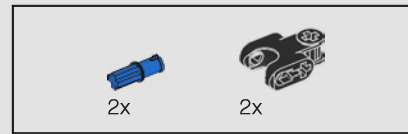
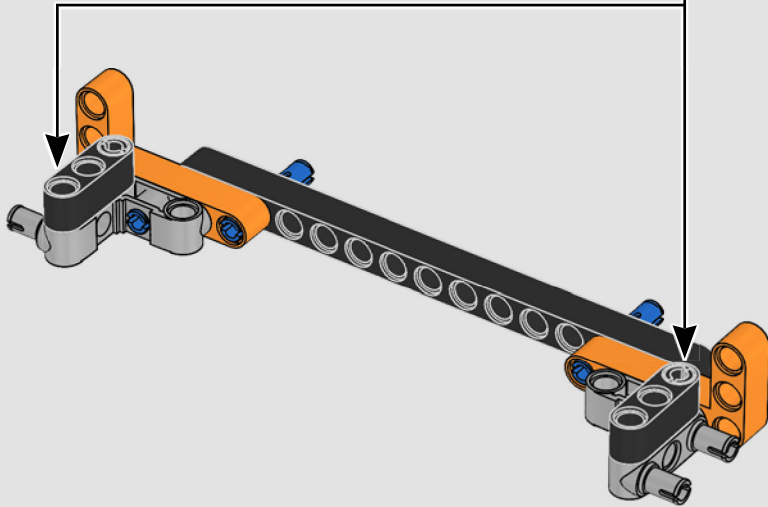
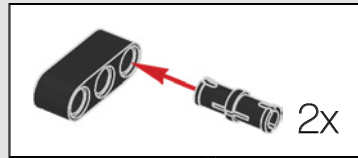


361

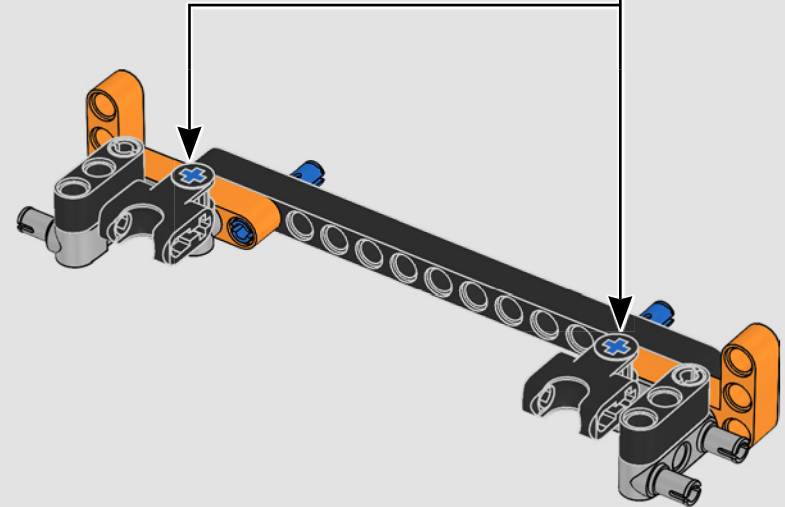
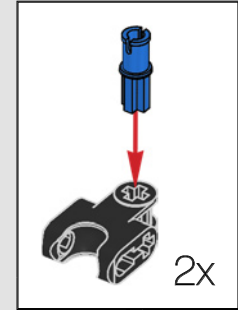


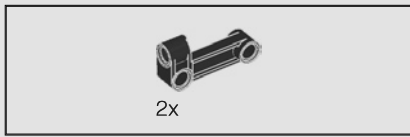


362

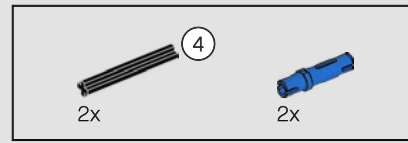
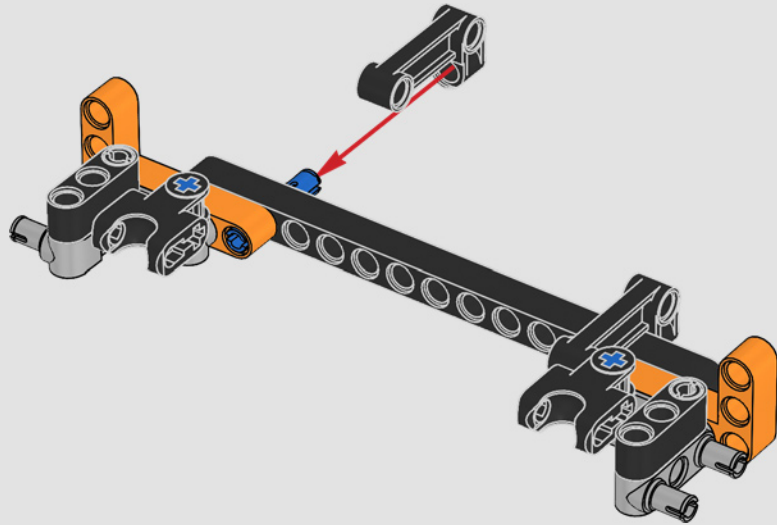


363

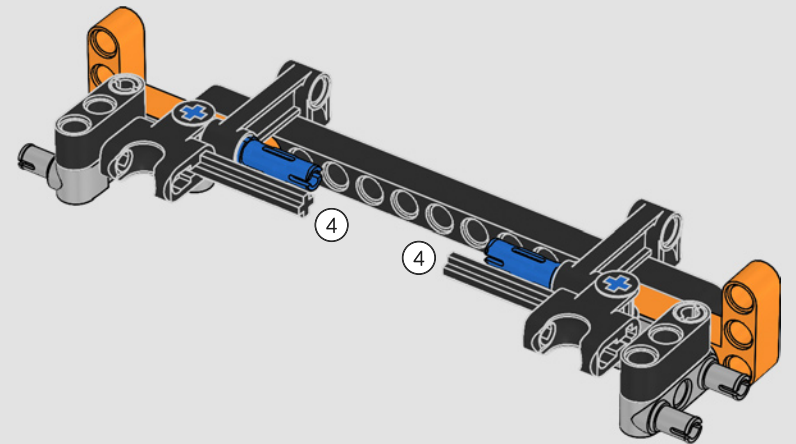
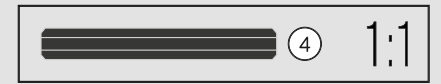




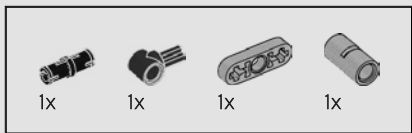
364



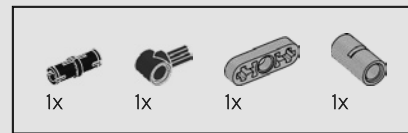
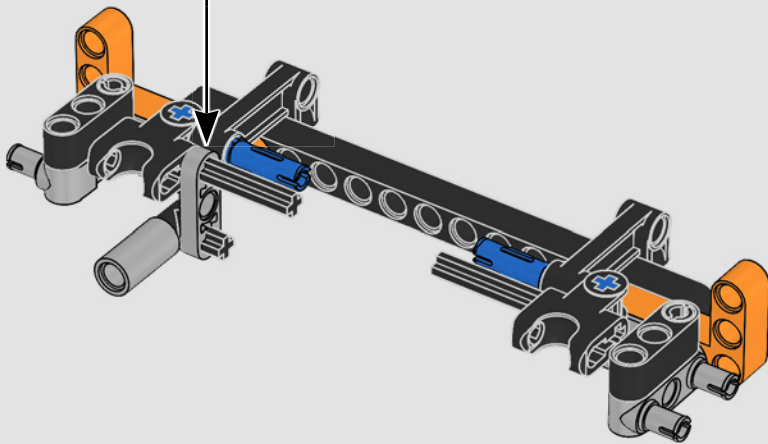
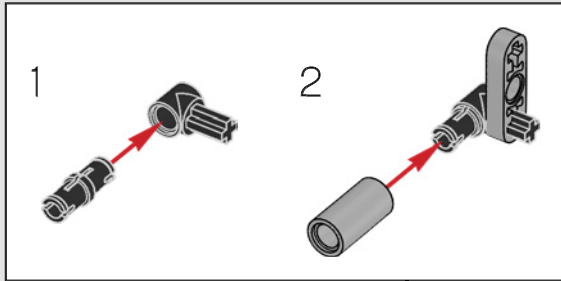
365



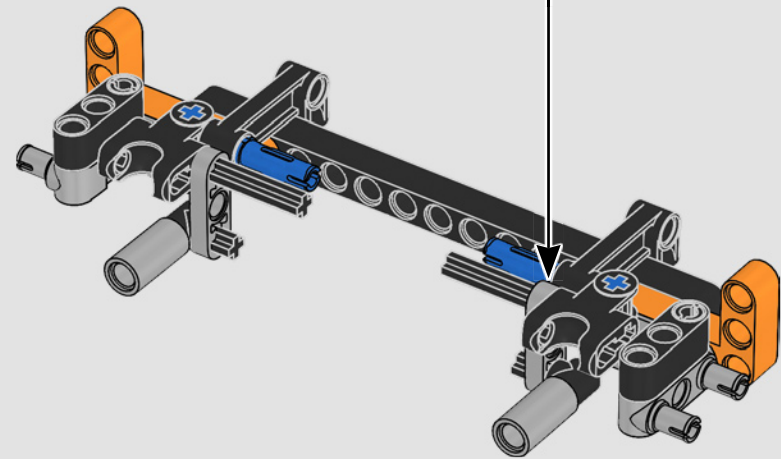
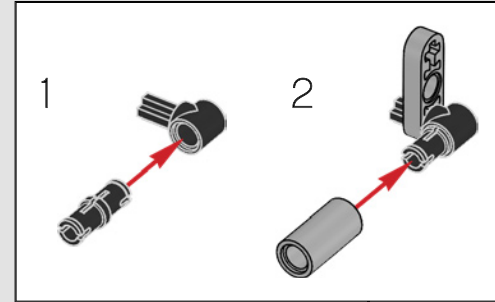




366

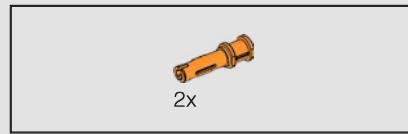
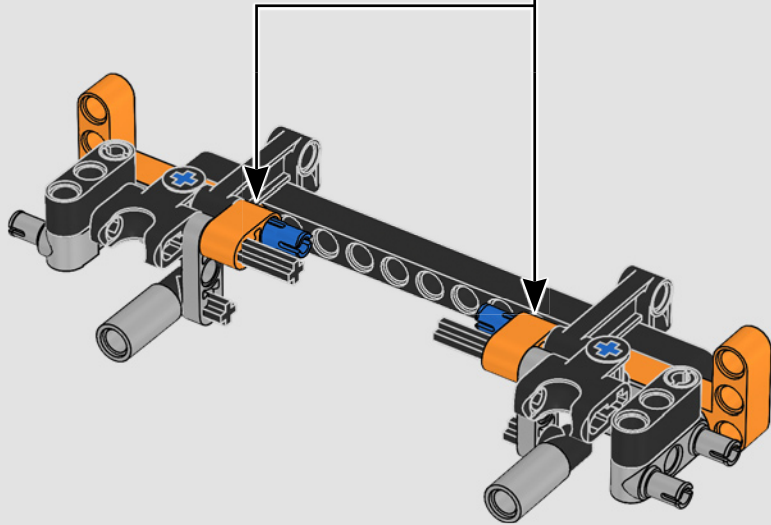
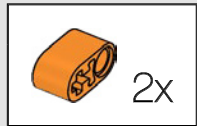


367

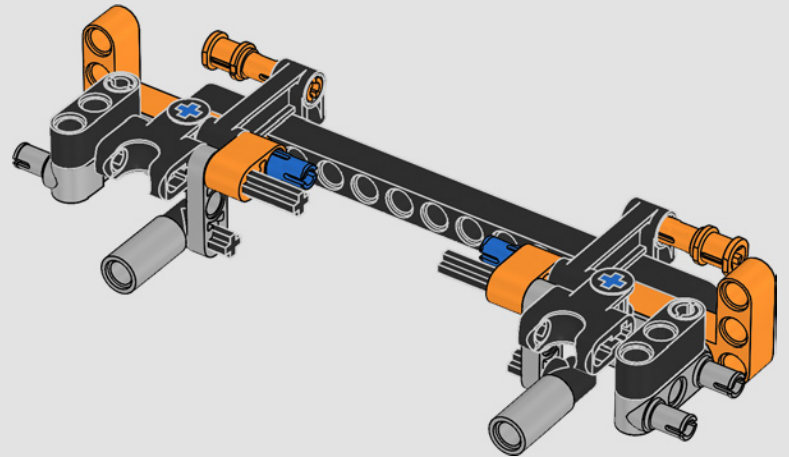


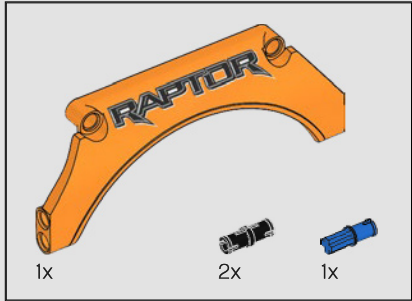


368

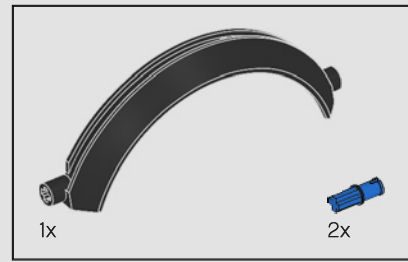


369

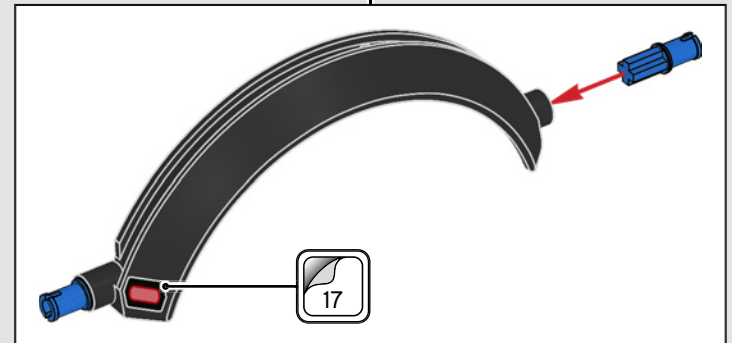
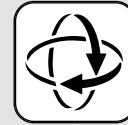




370



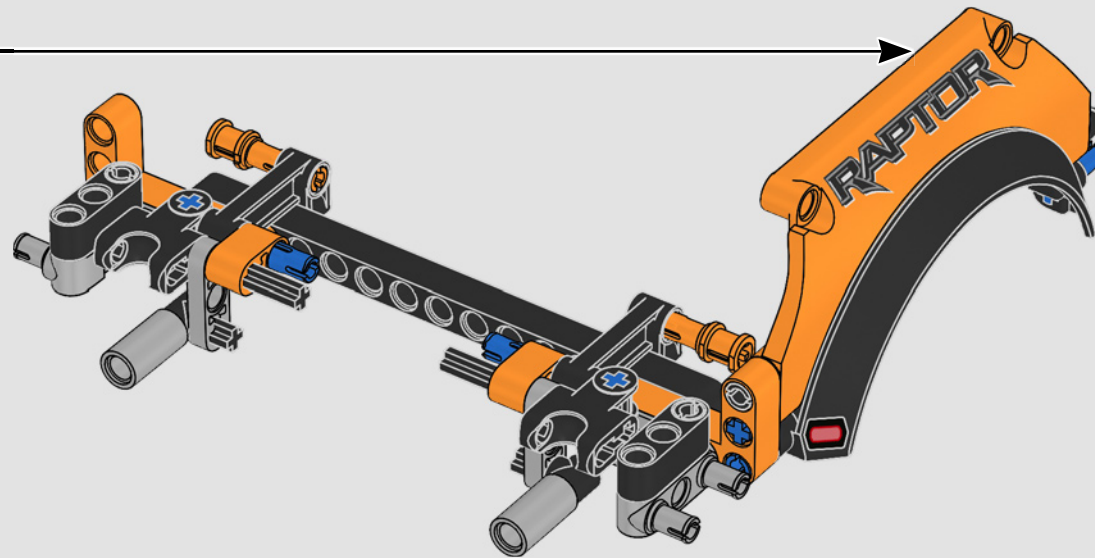
371

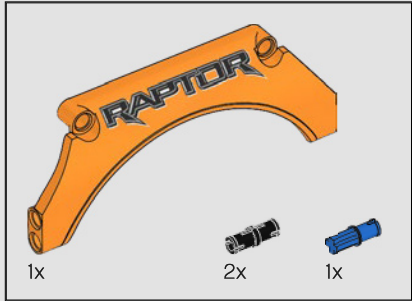




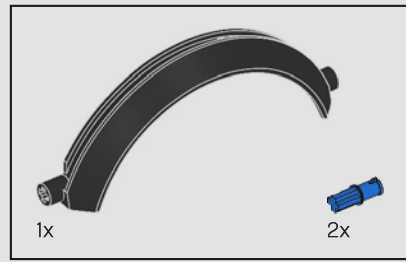
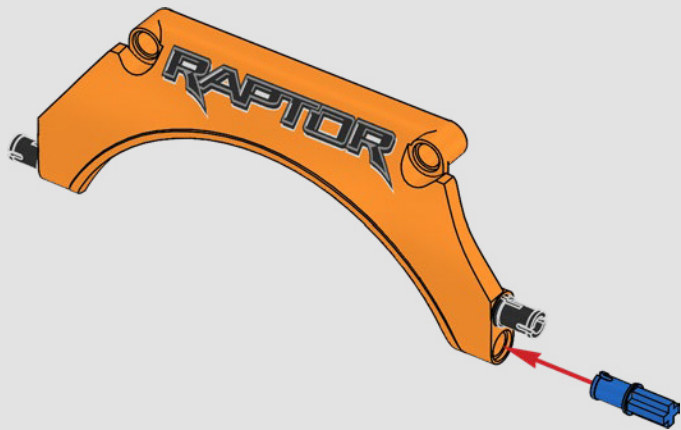
*The first production Raptor came in a molten orange colour with a digital mud graphic.*

372

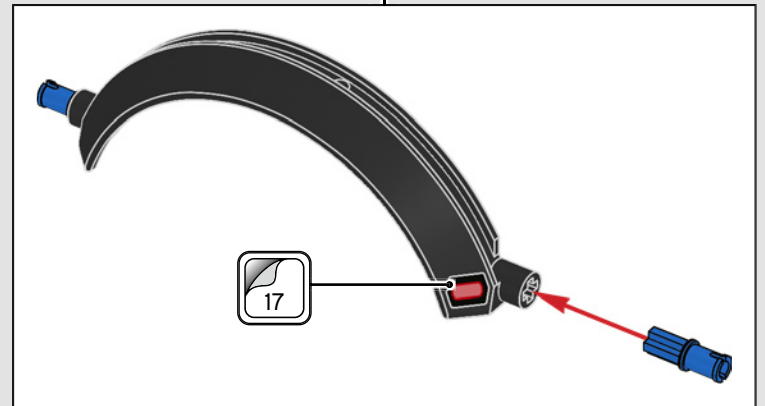




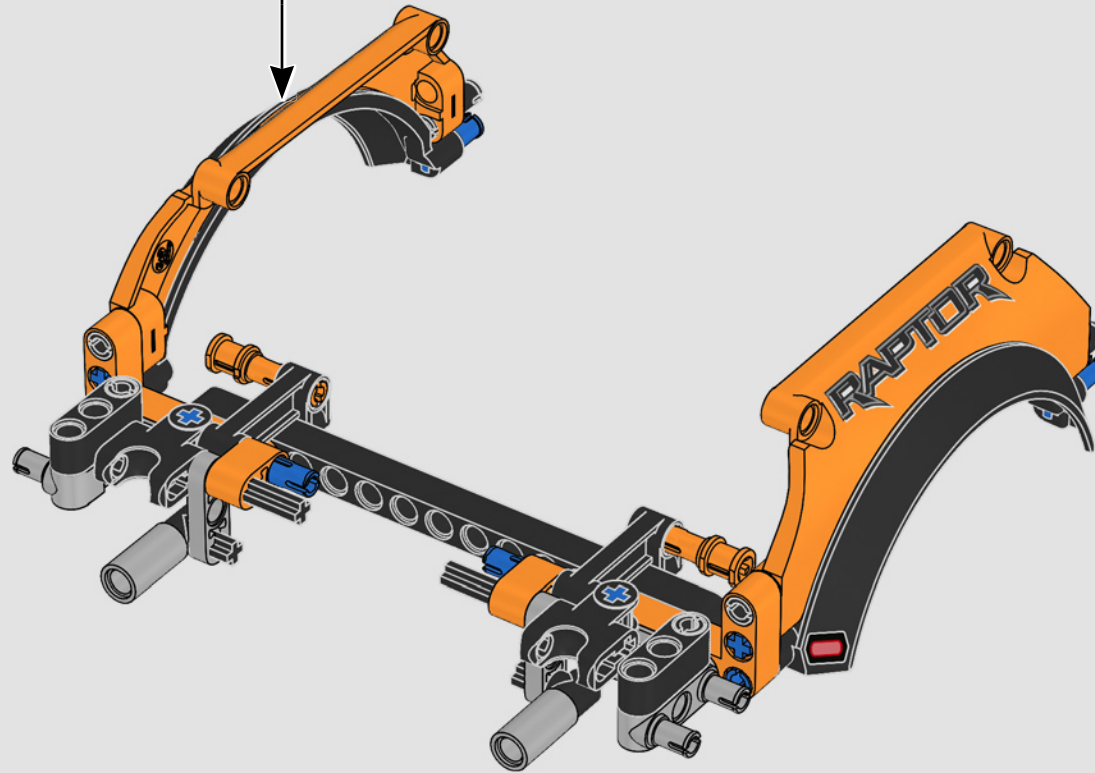
373



374

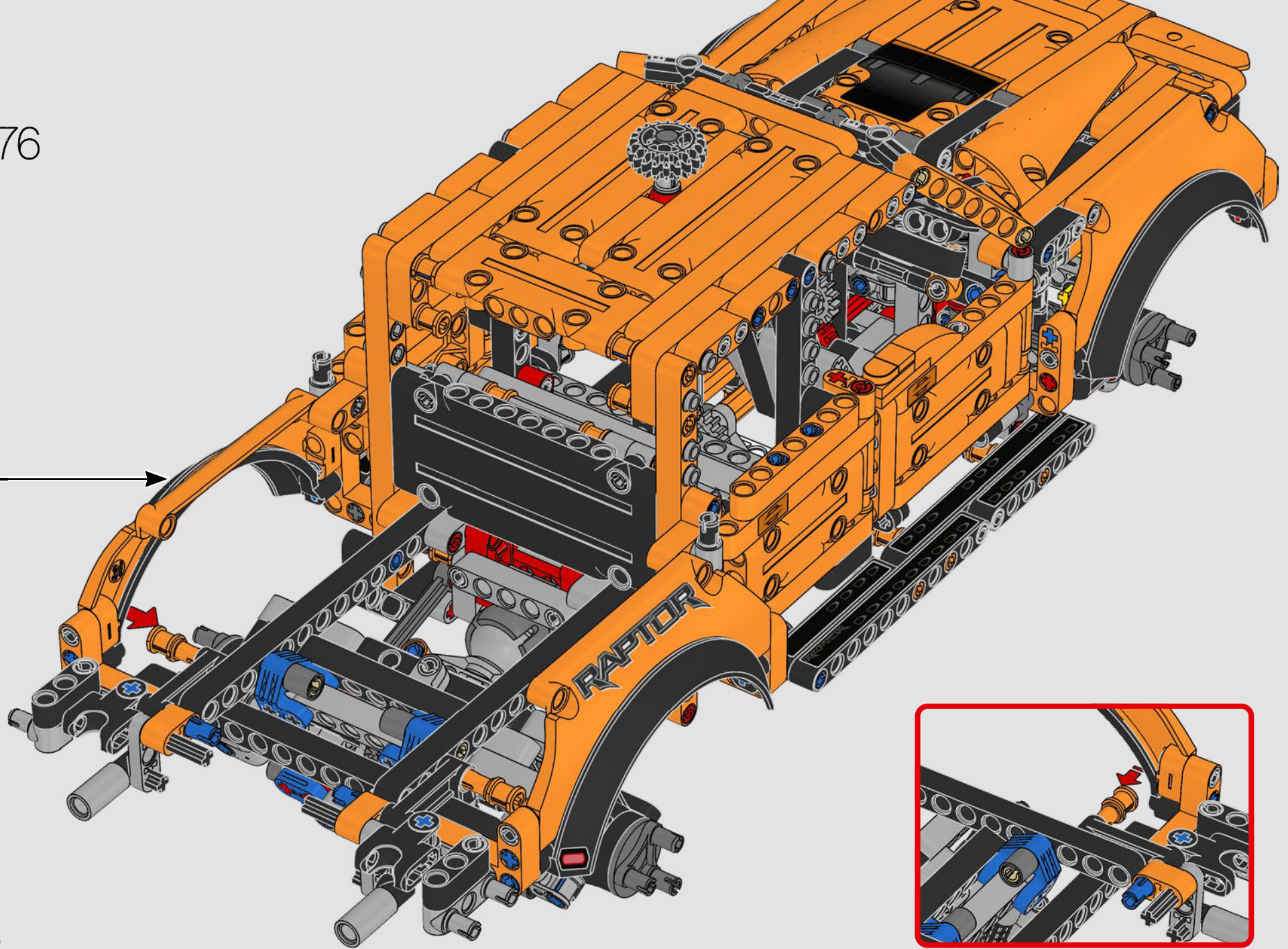


375

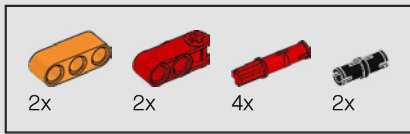




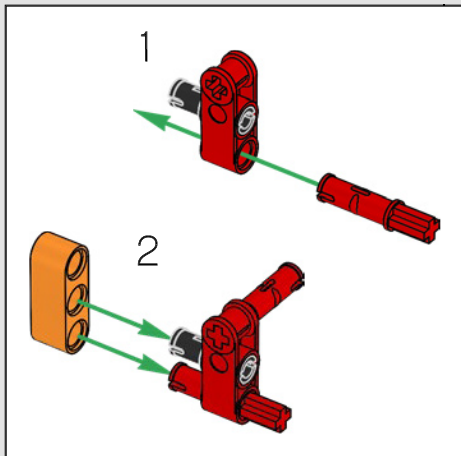
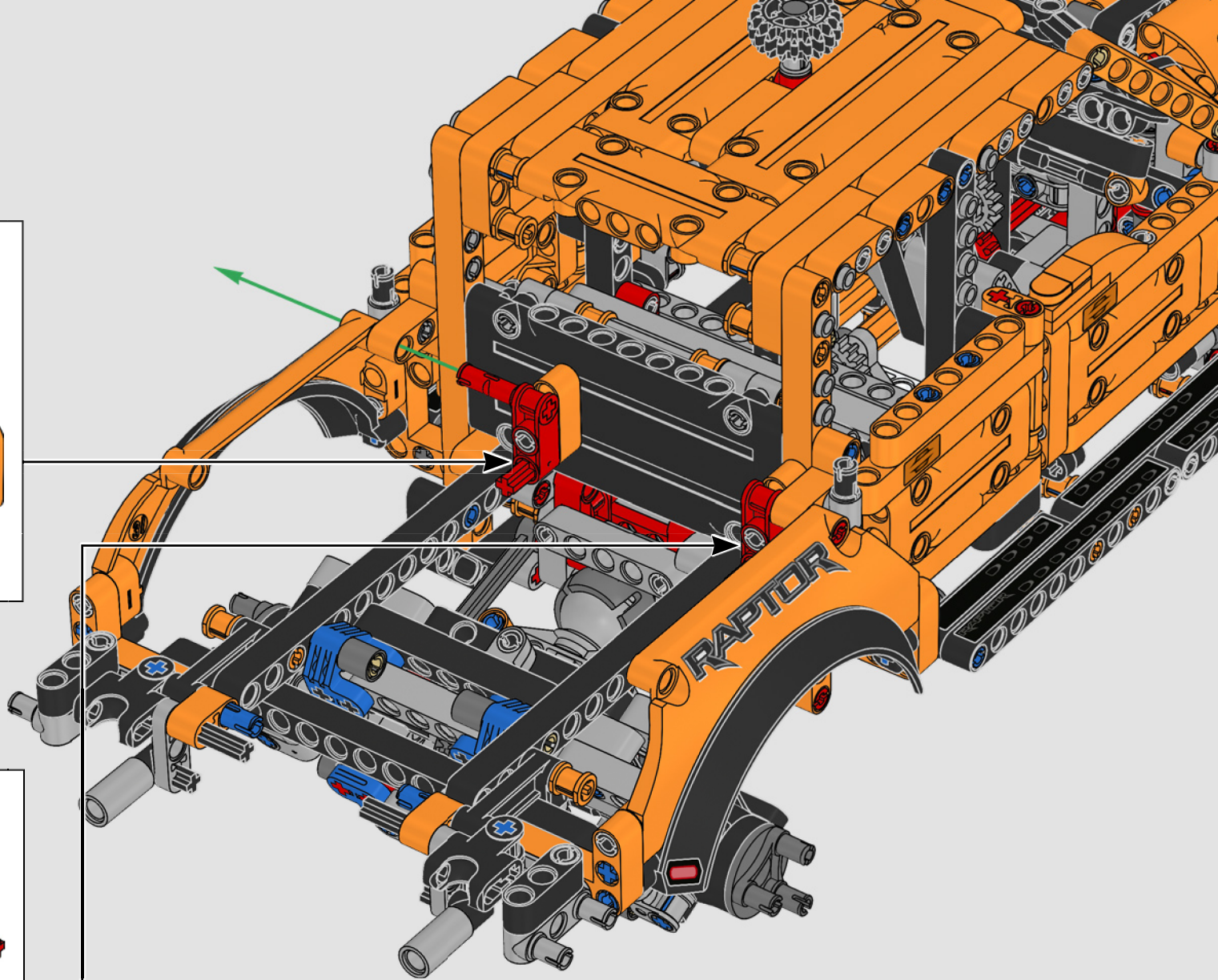
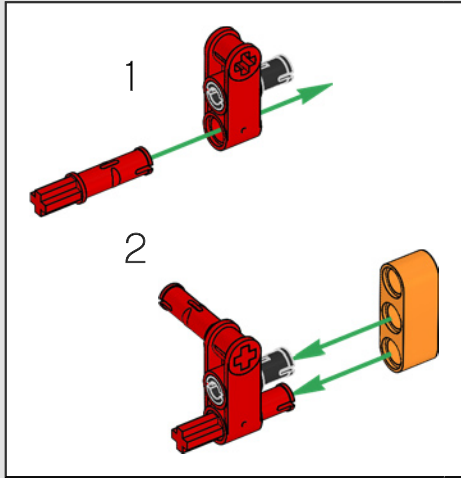
376



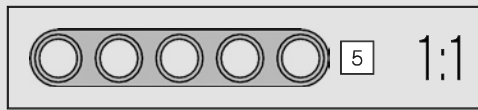
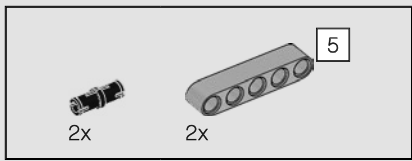




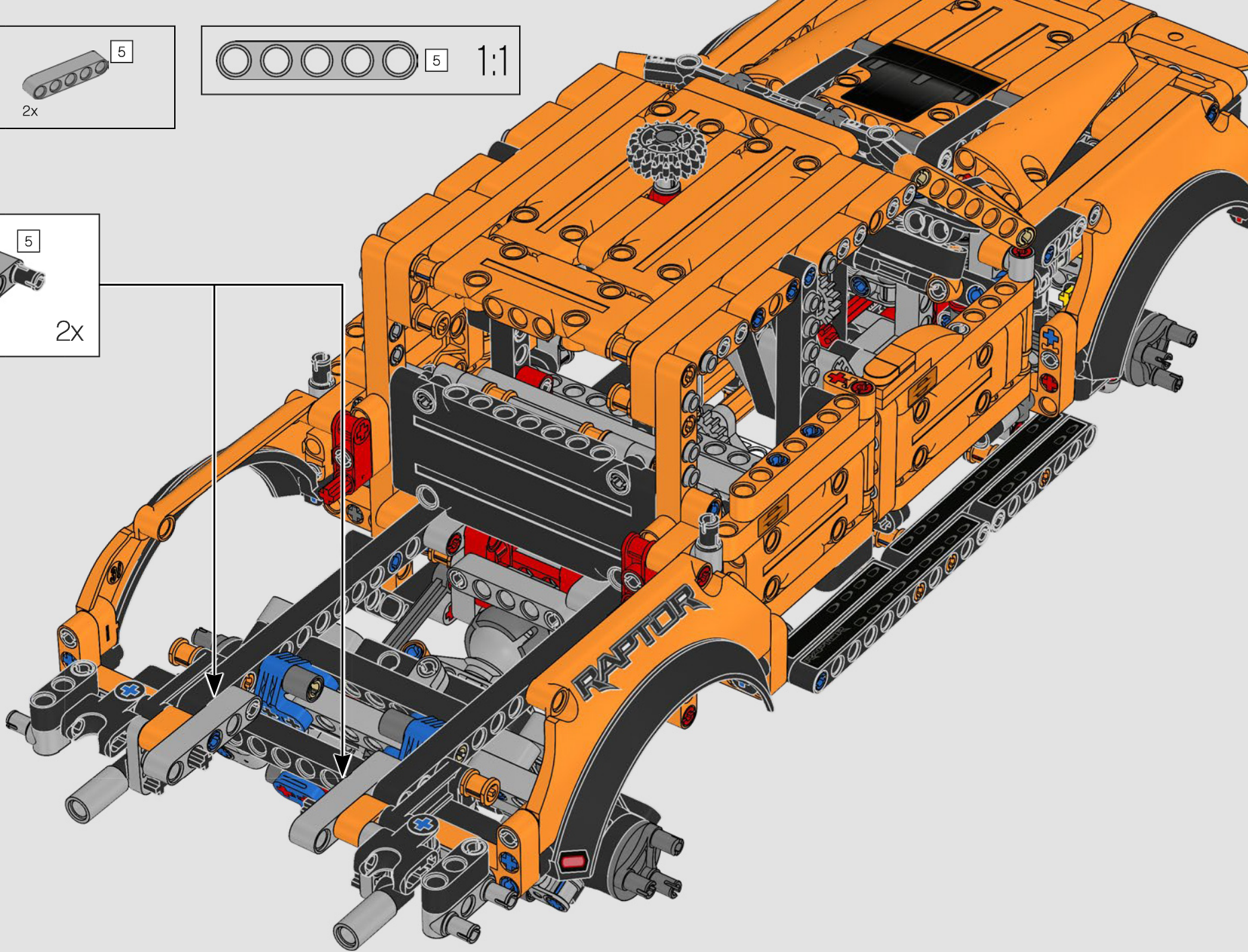
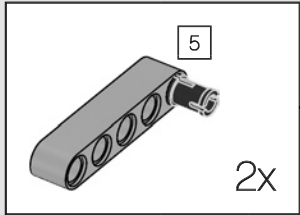
377



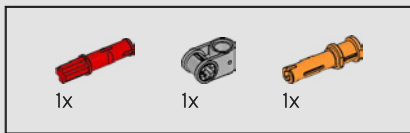




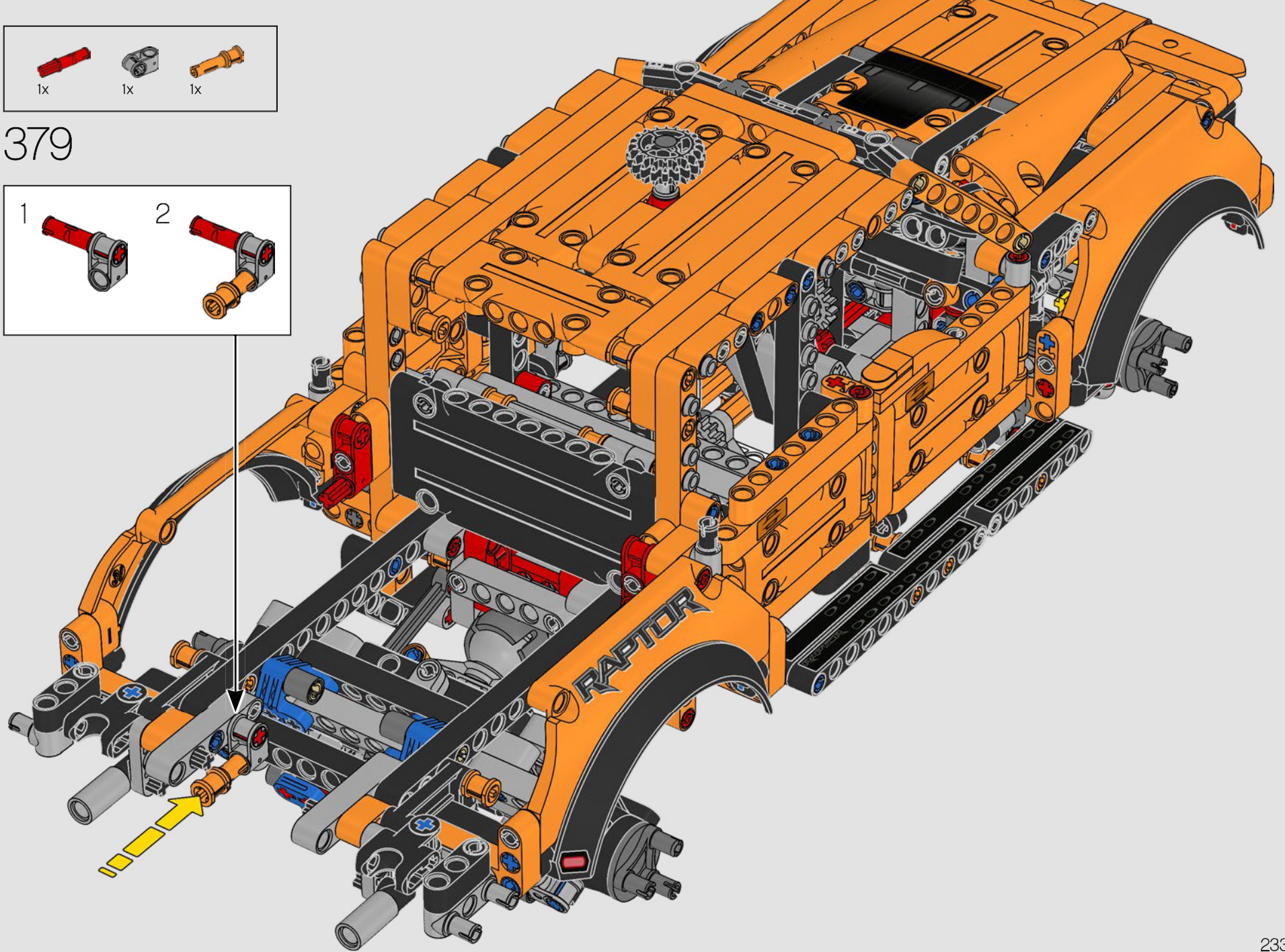
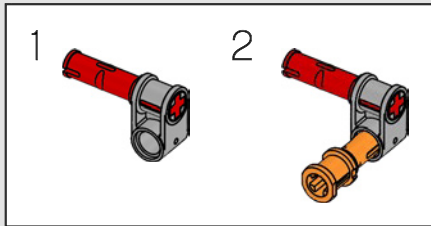
378



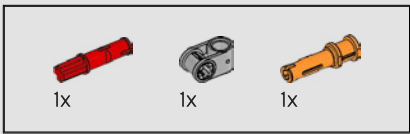




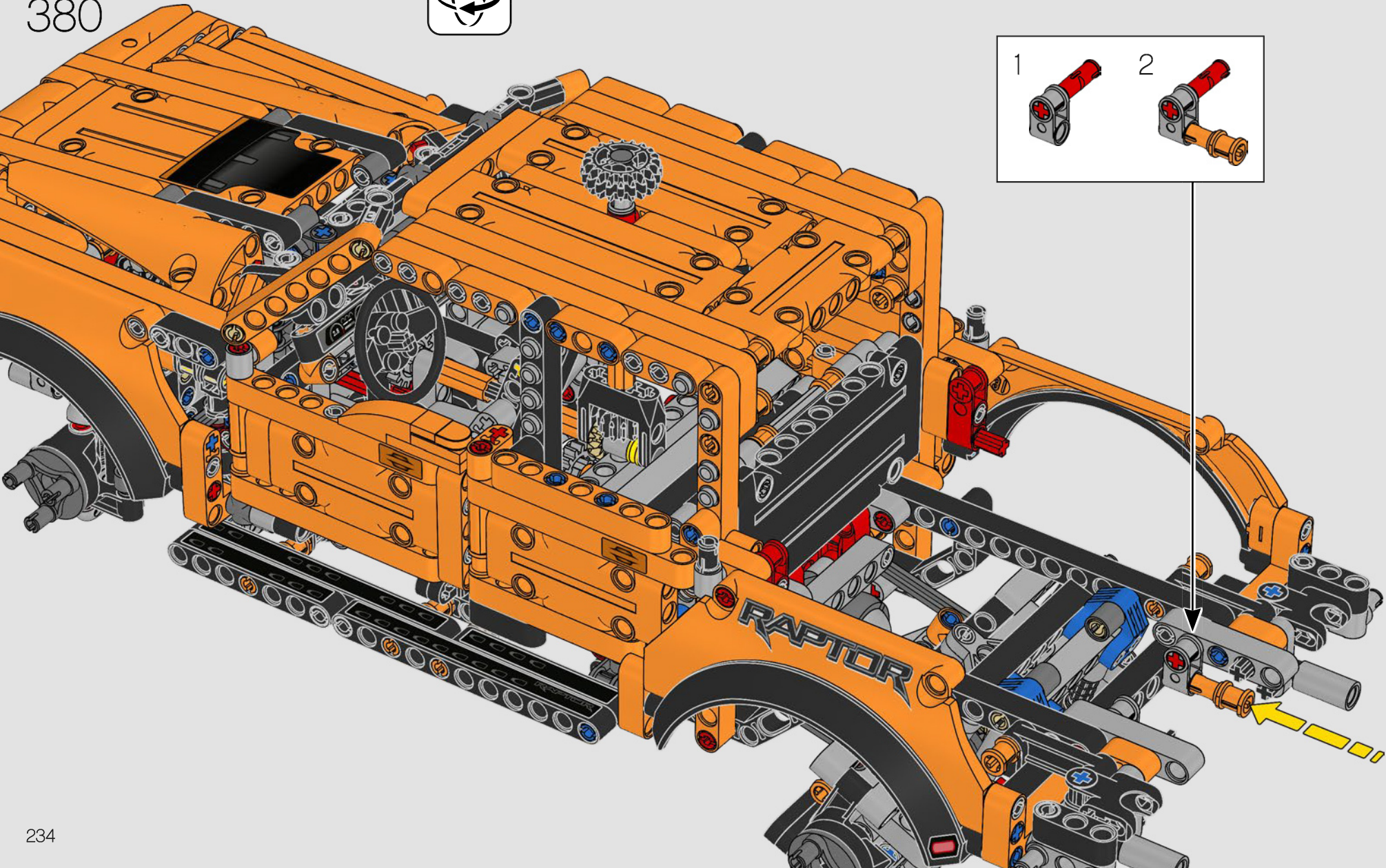
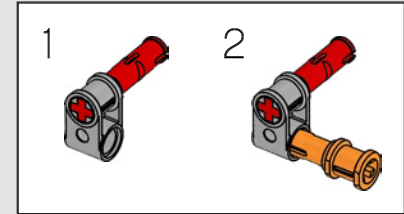
379

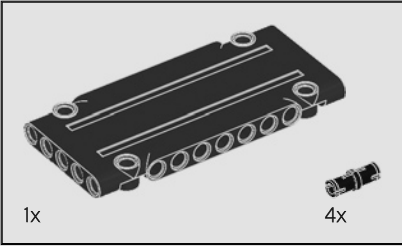
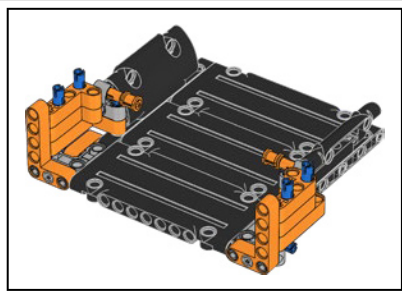




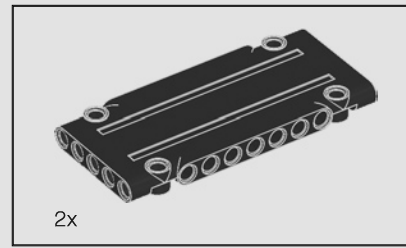
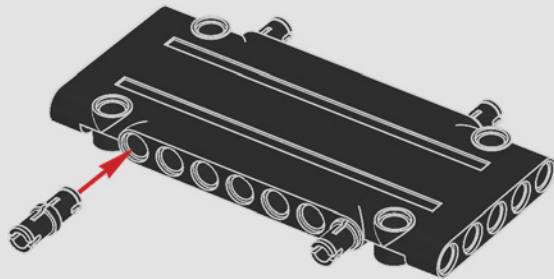


380



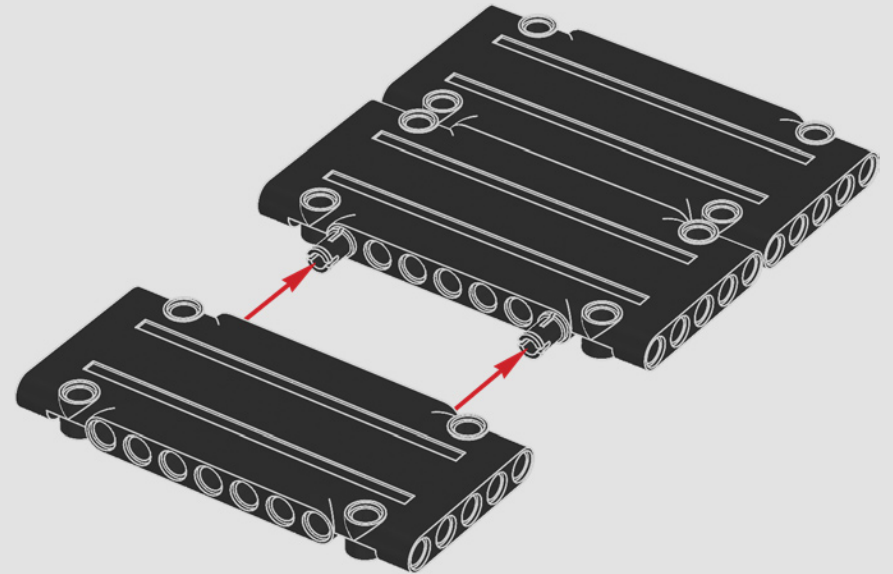


381



2x

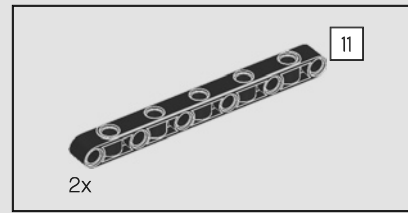
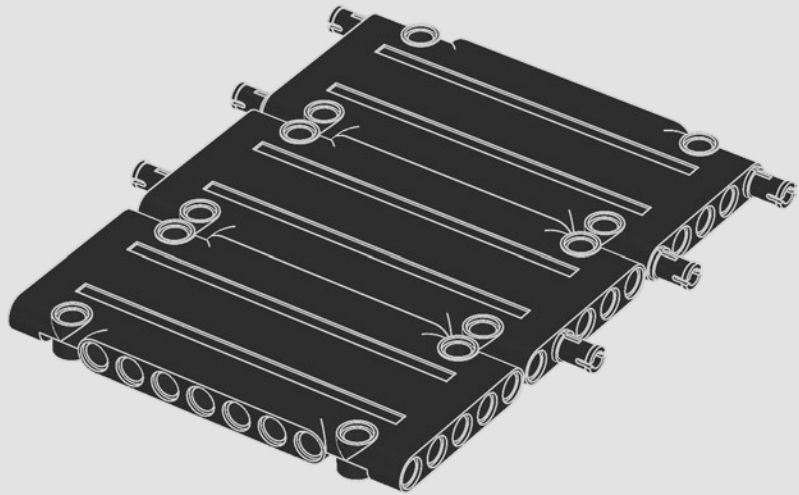
382



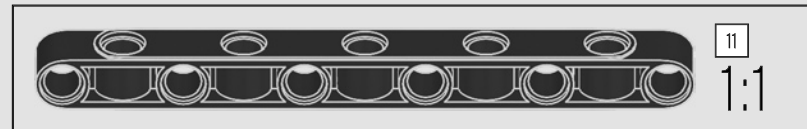
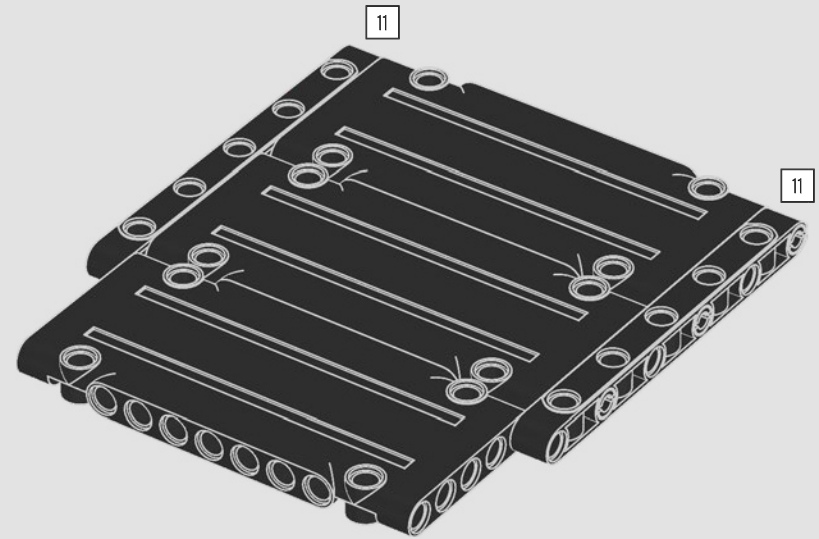


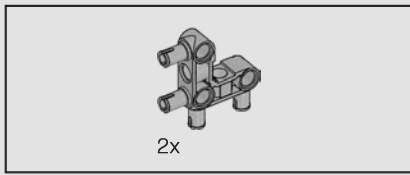


383

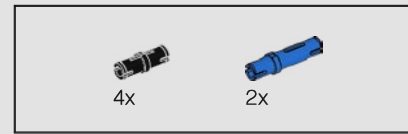
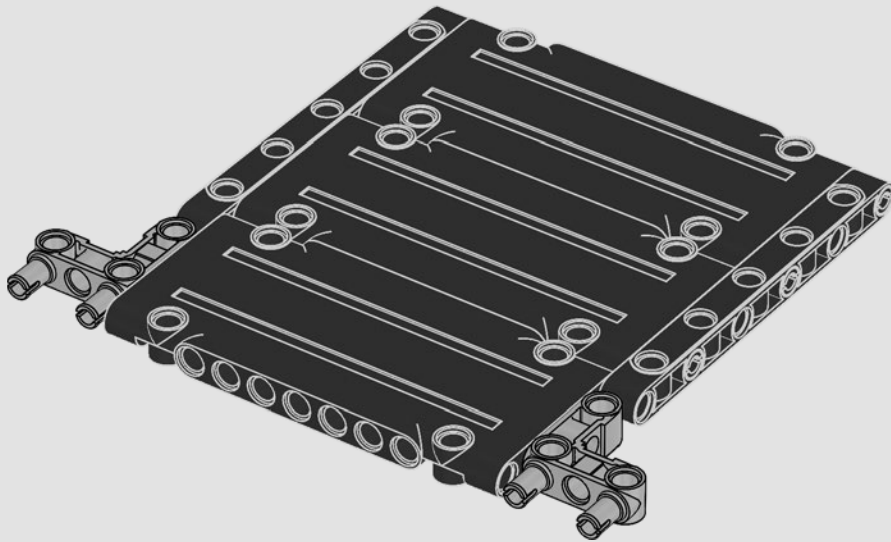


384

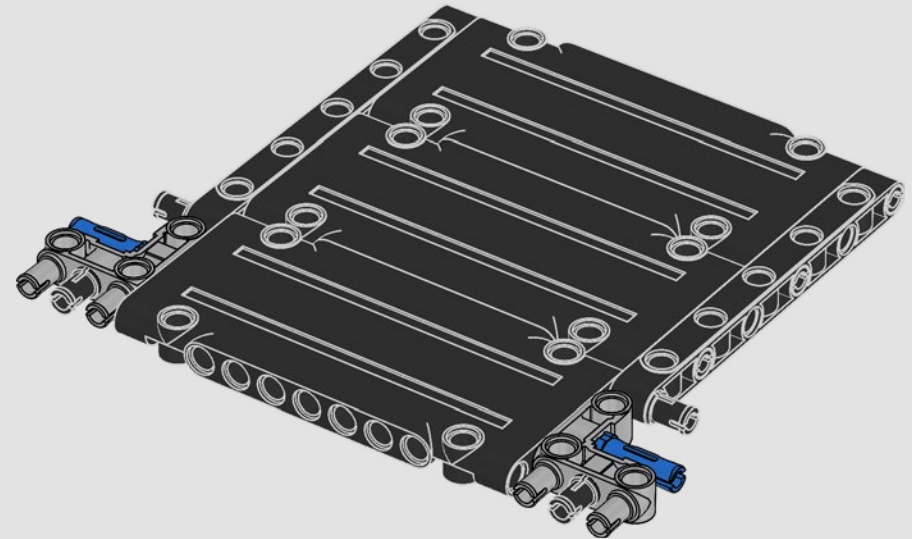


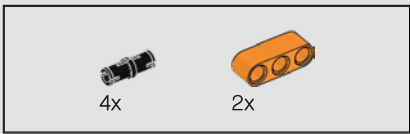


385

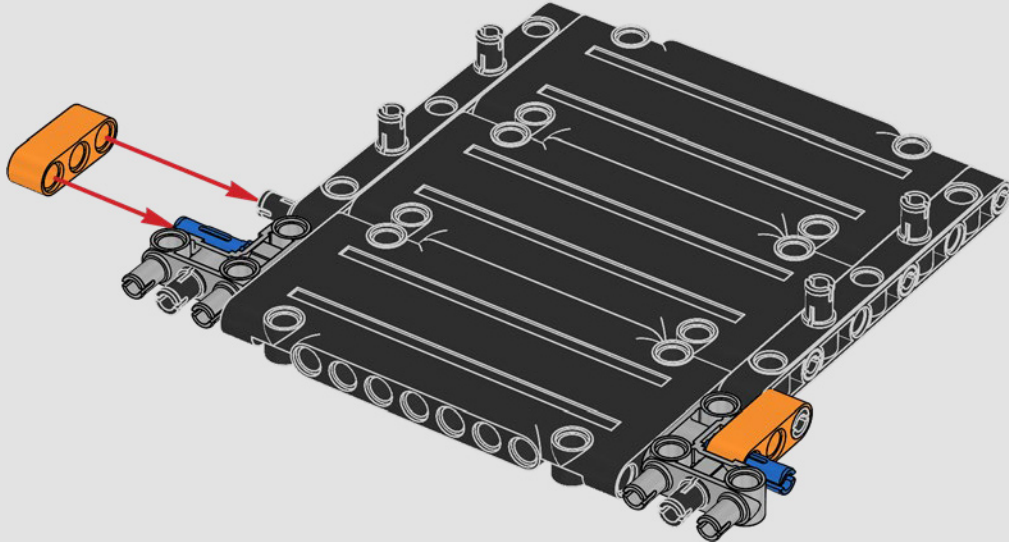


386

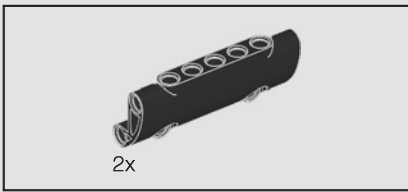




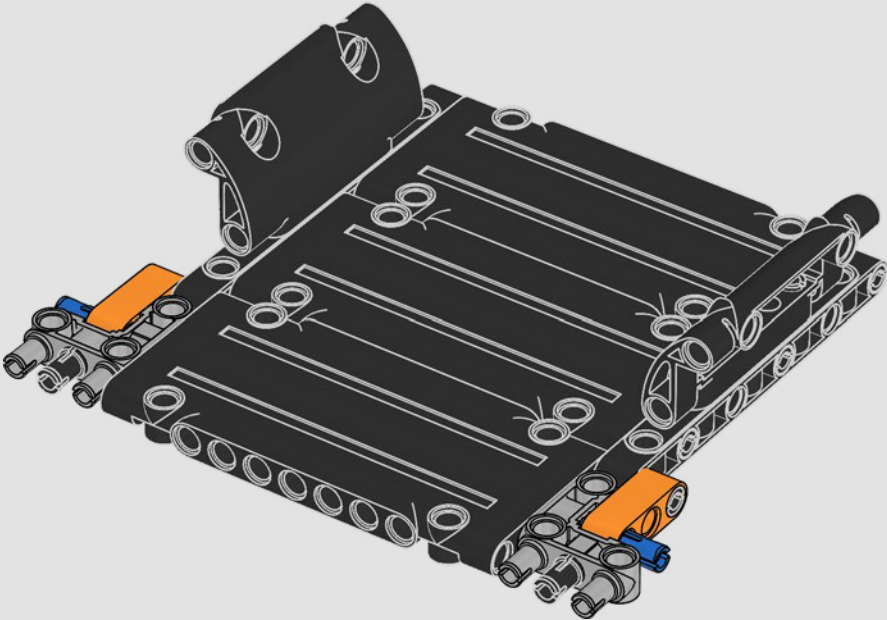
387



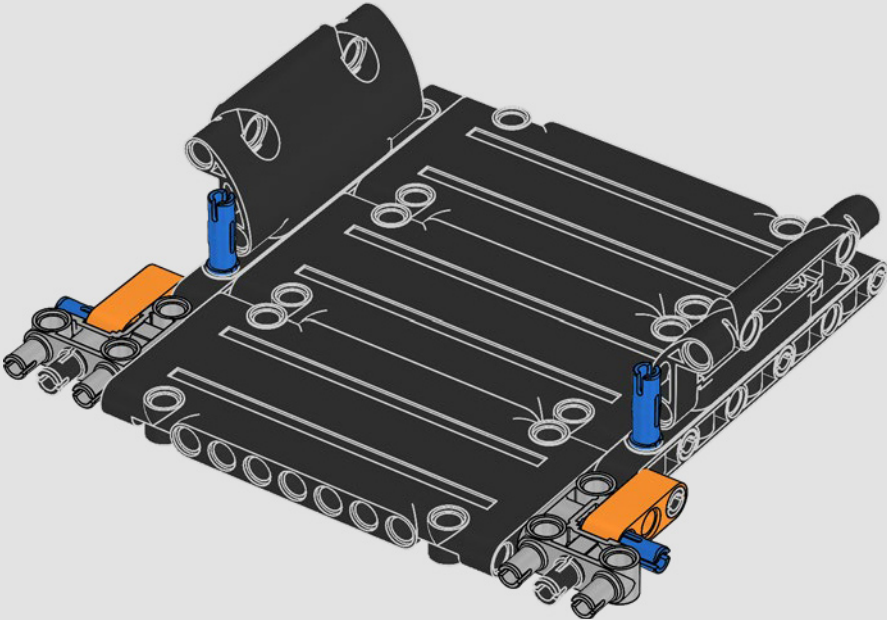


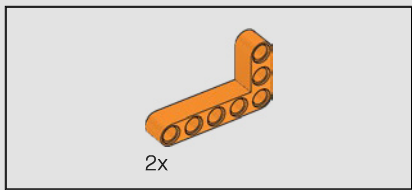


388

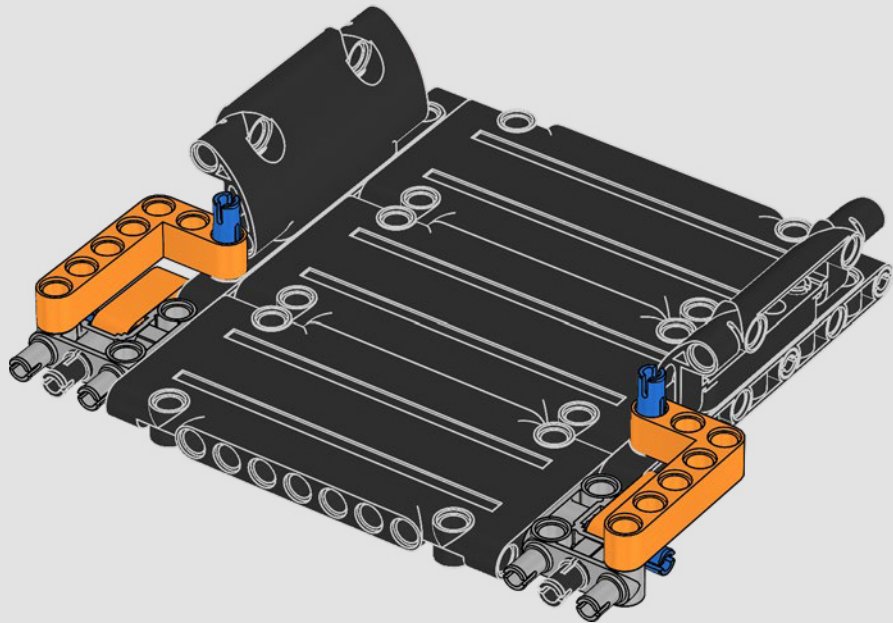


389

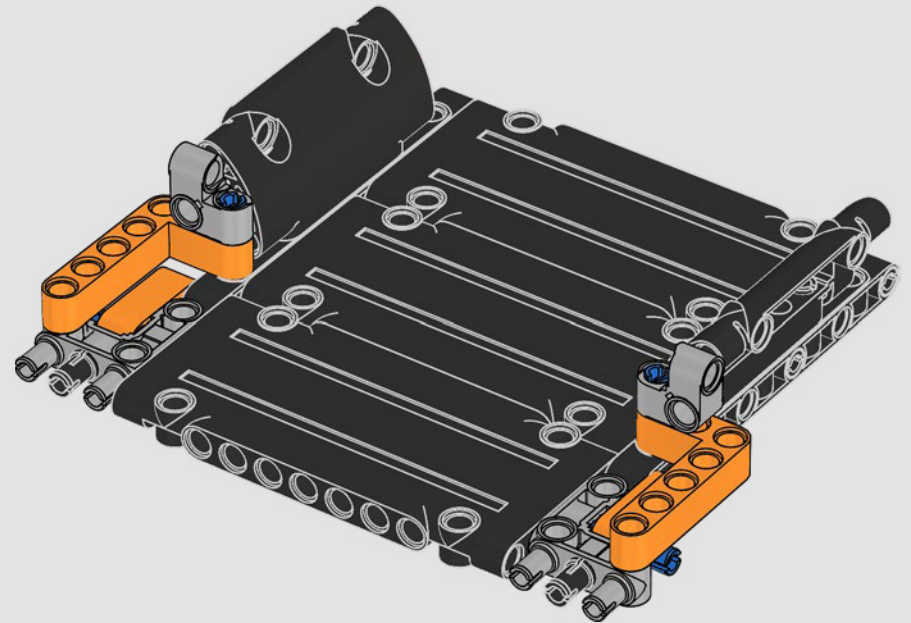


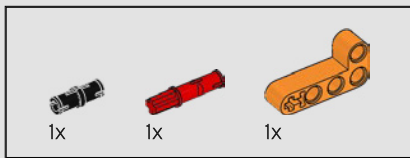


390

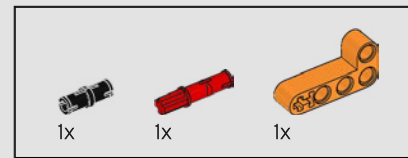
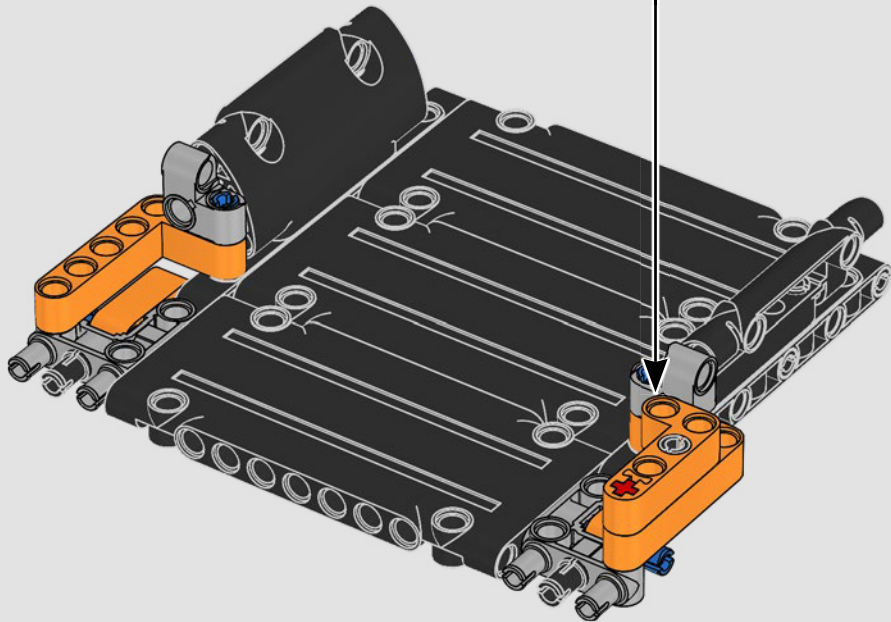
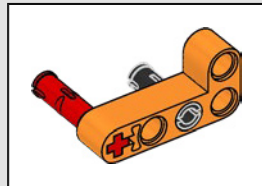


391

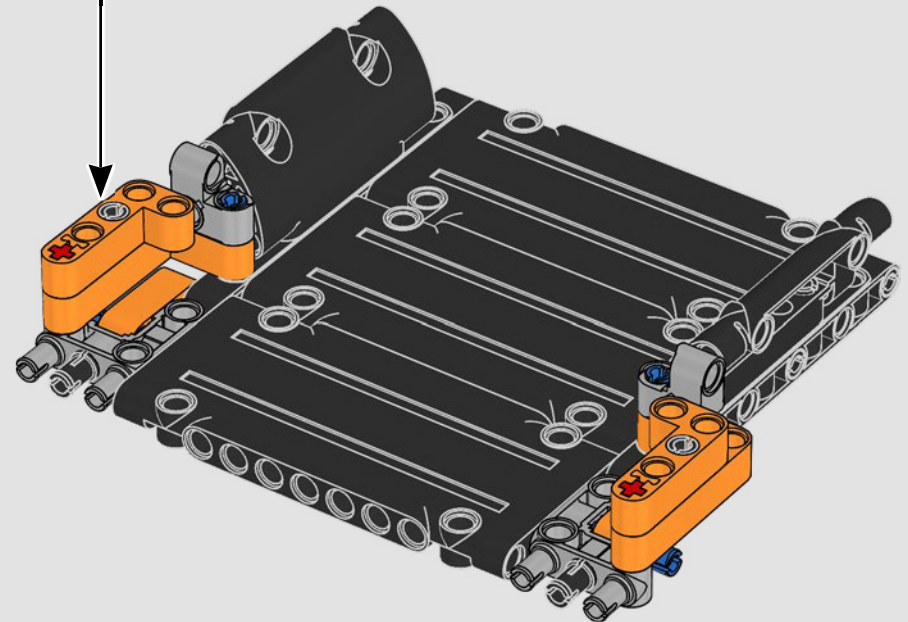
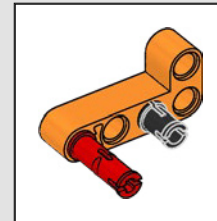




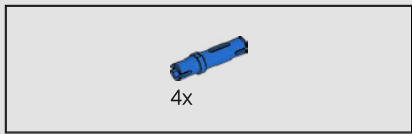
392



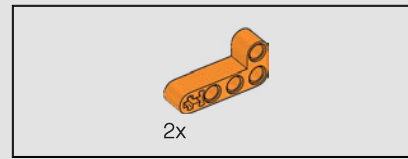
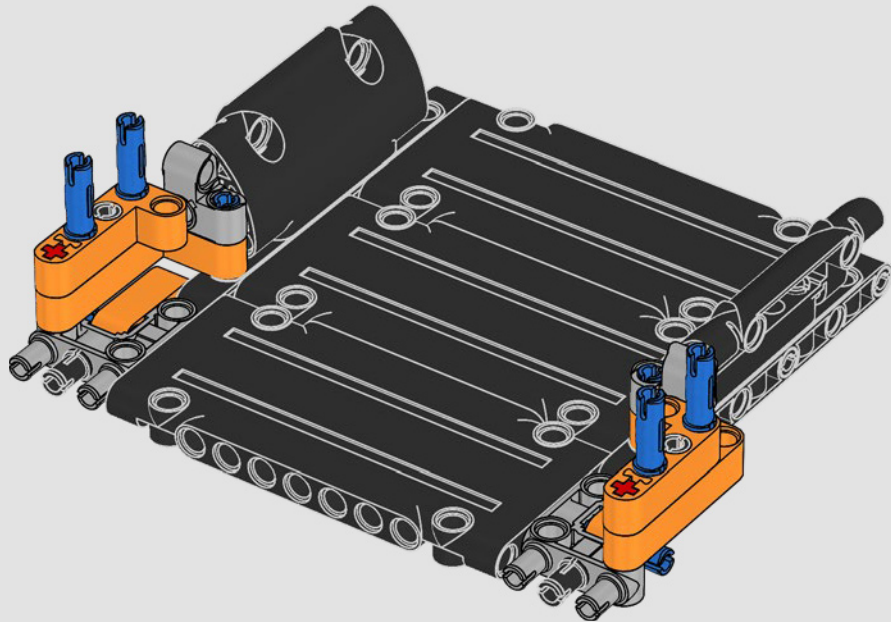
393



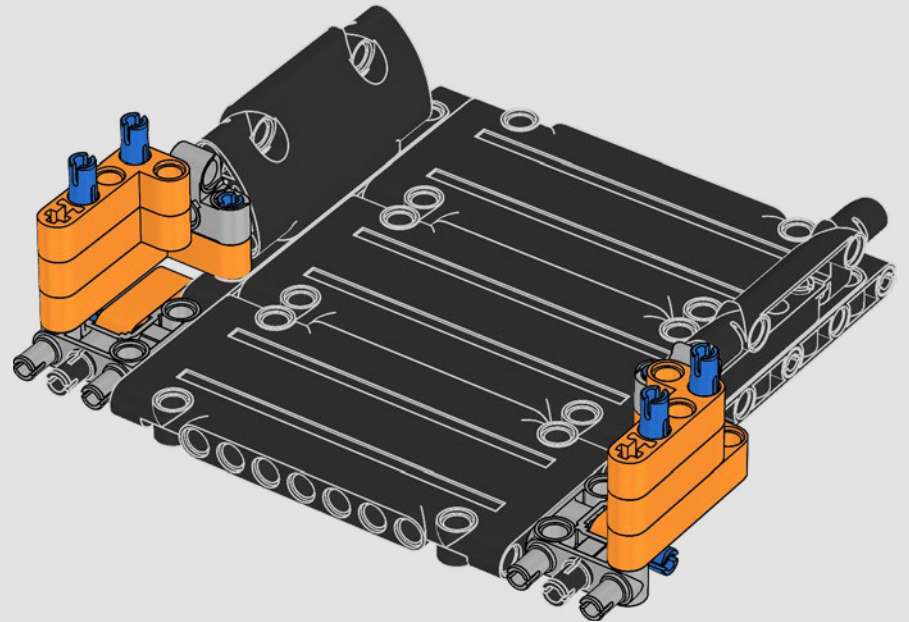


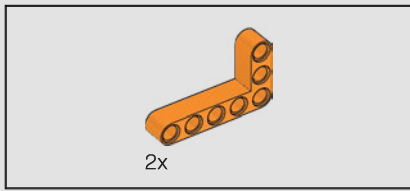


394

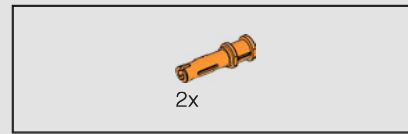
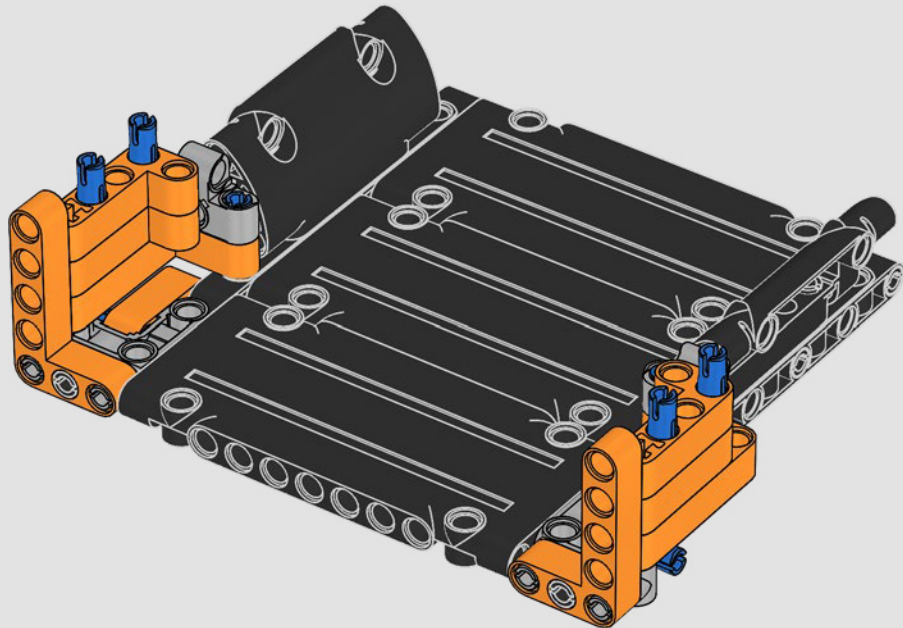


395

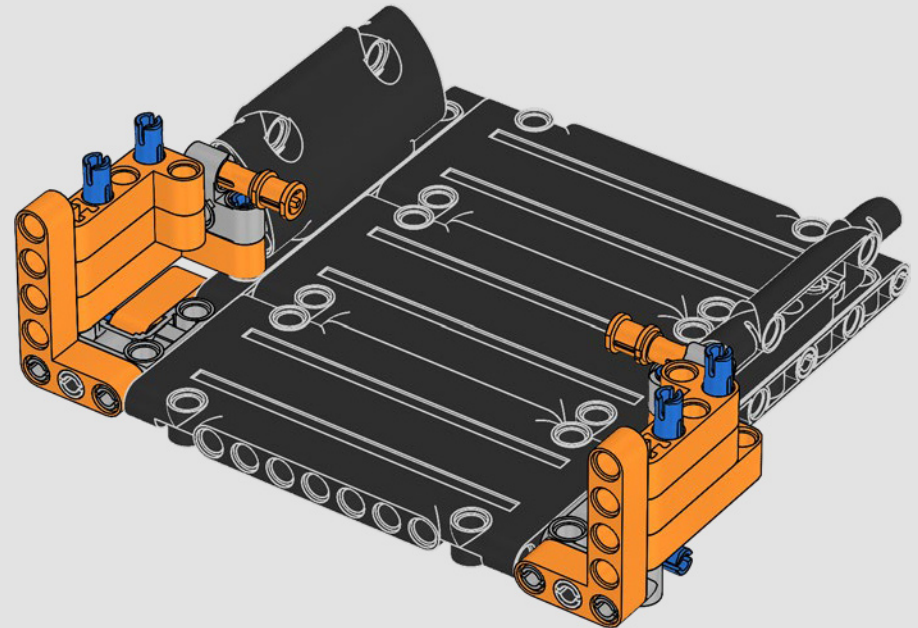




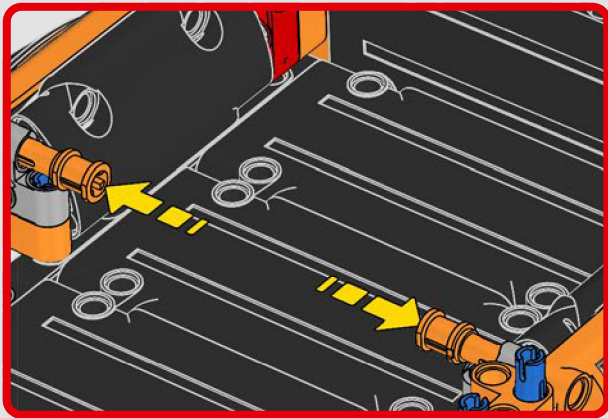
396



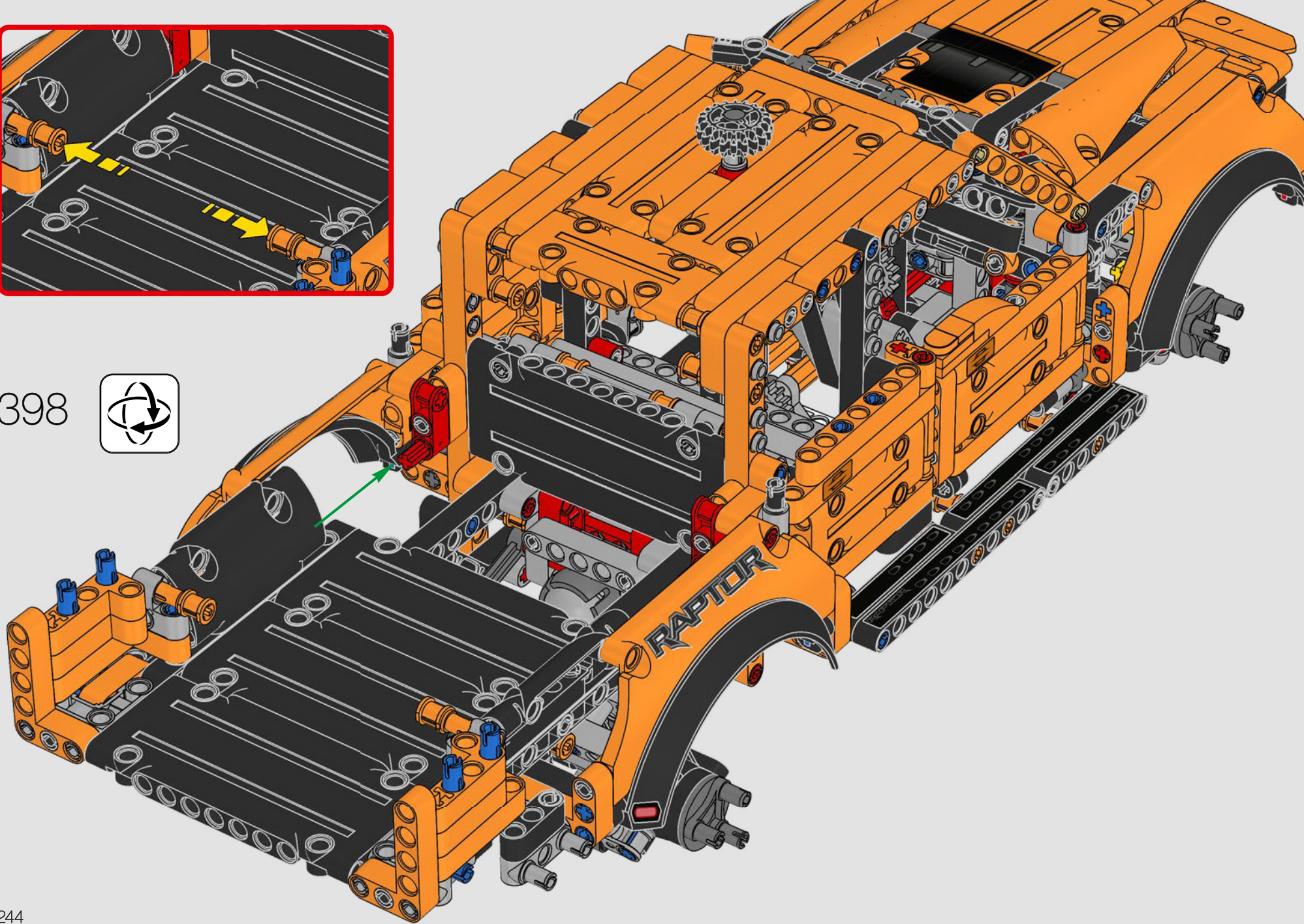
397



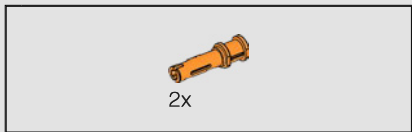




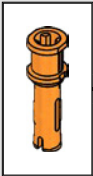
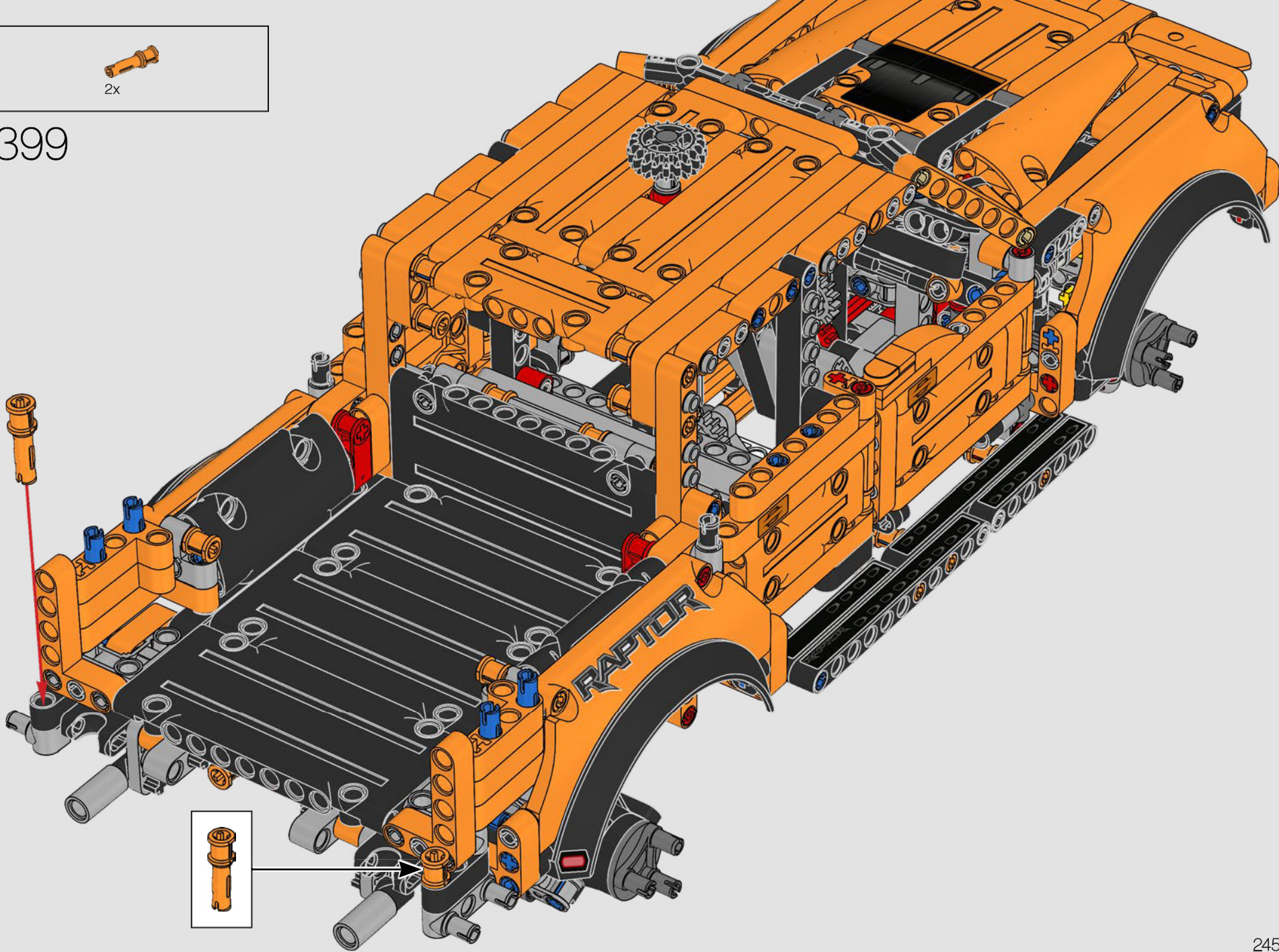
398







399

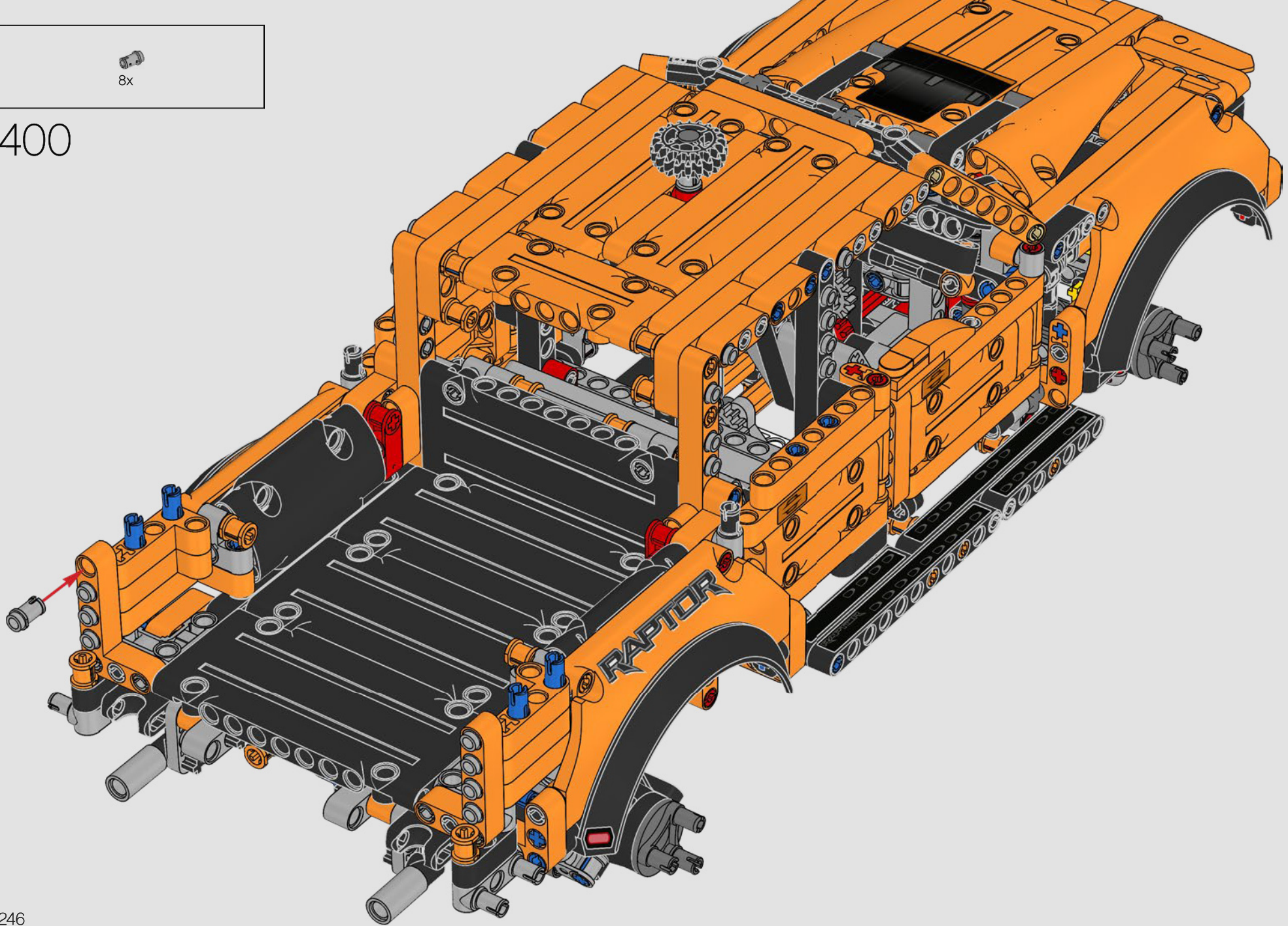






8x

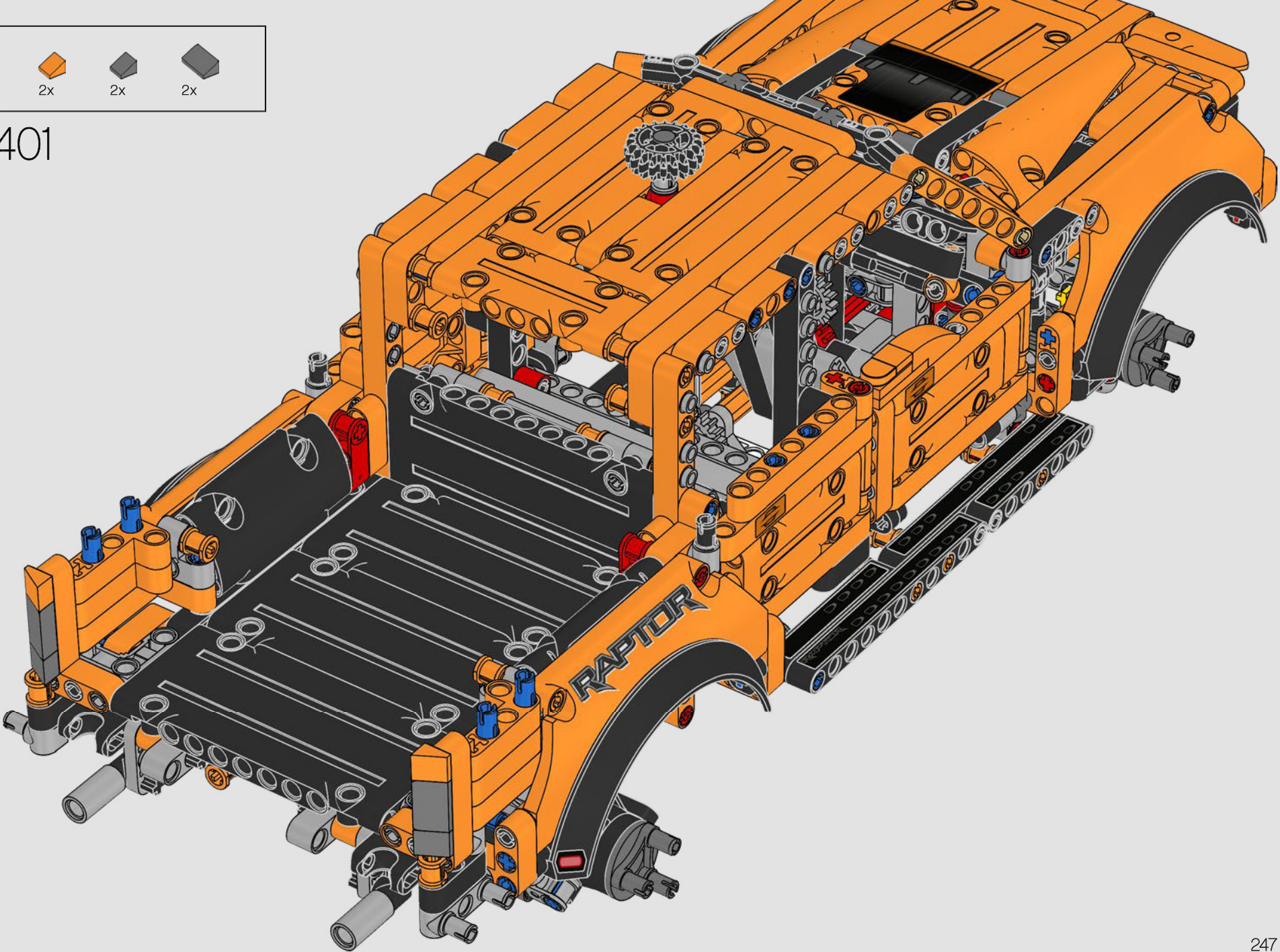
400



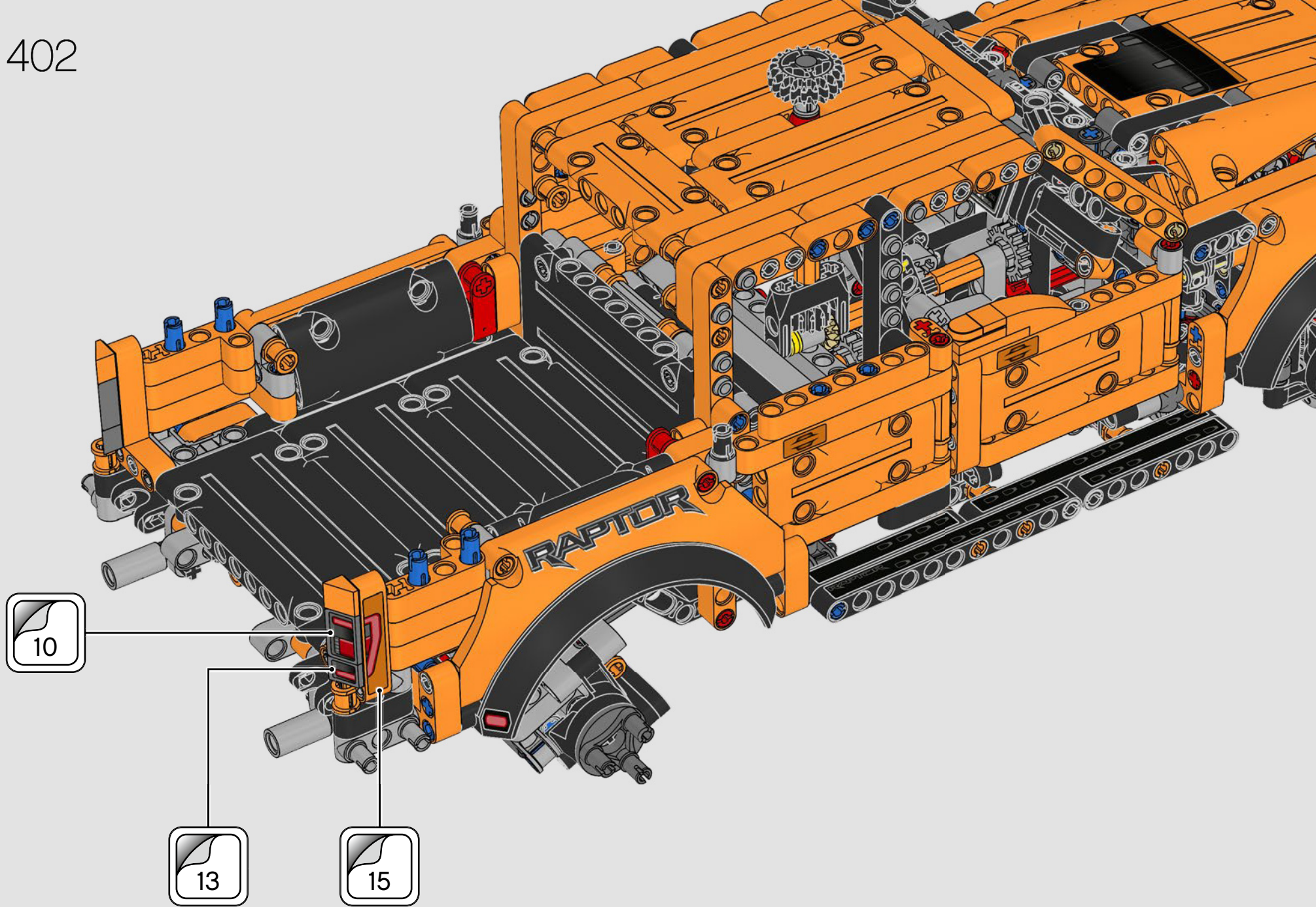




401

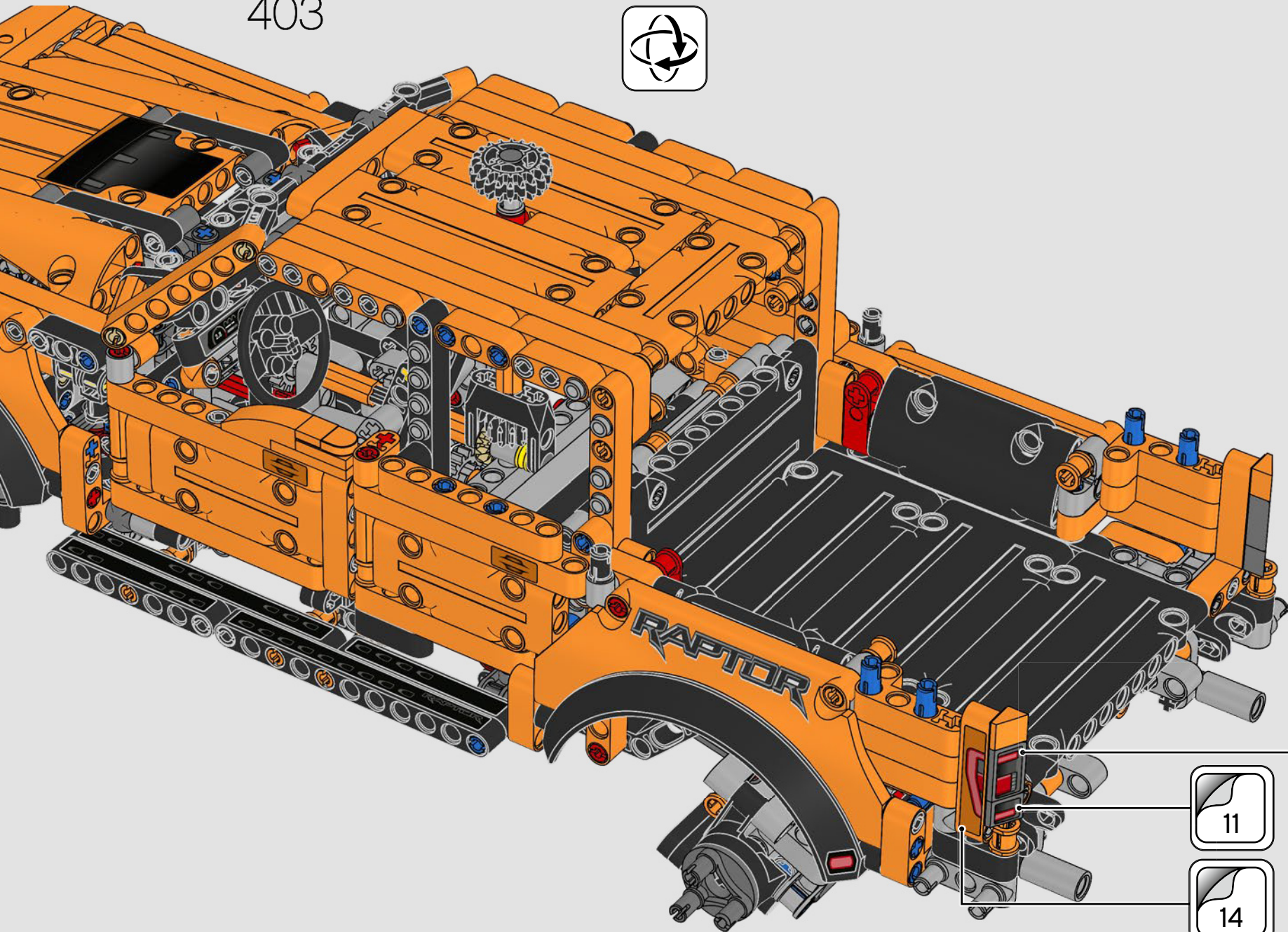
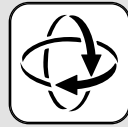


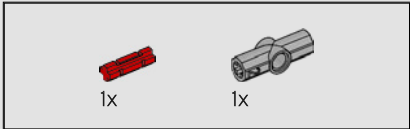
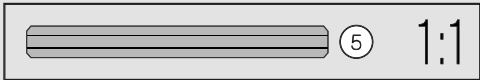
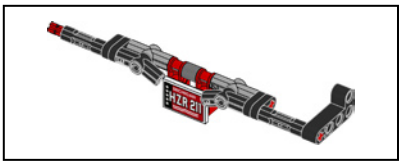




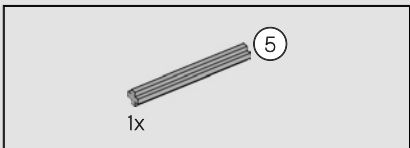
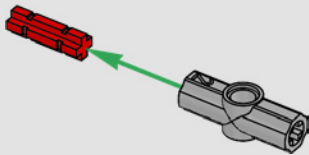


403

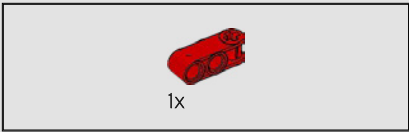
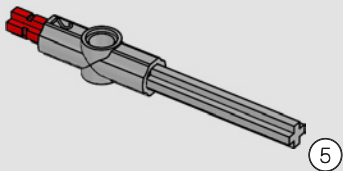




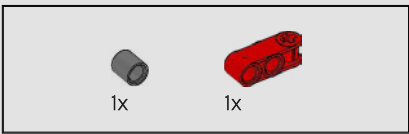
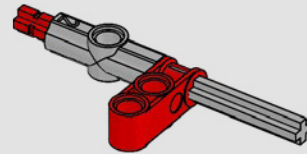
404



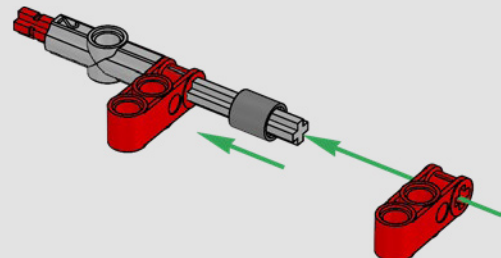
405



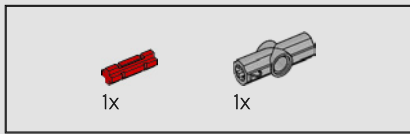
406



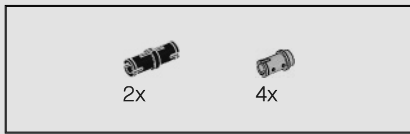
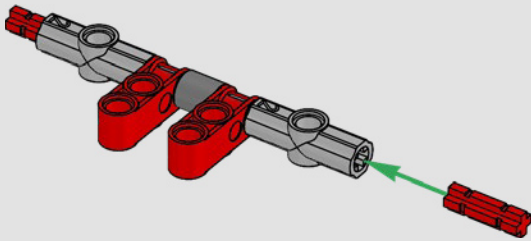
407



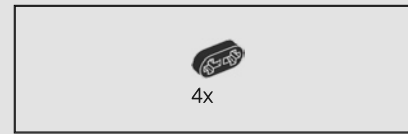
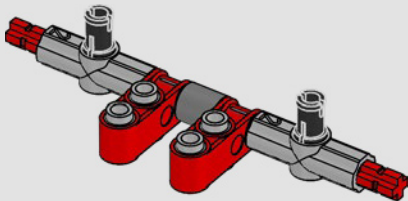




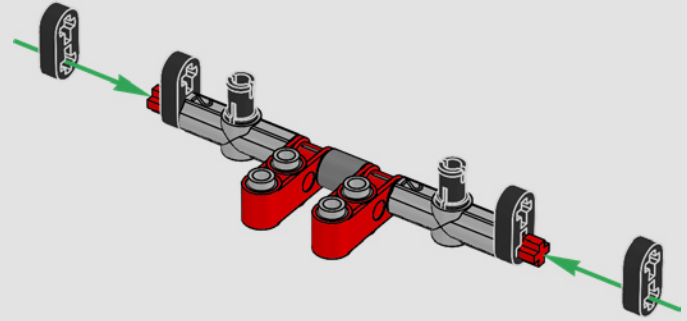
408



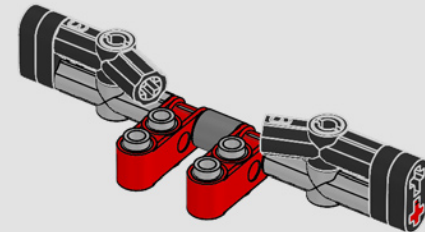
409

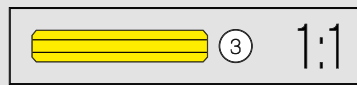
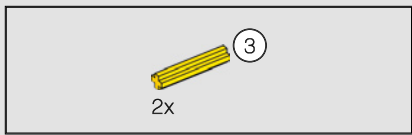


410

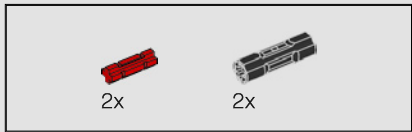
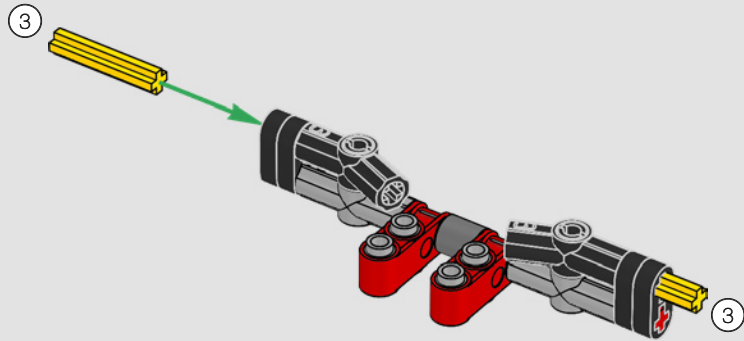


411

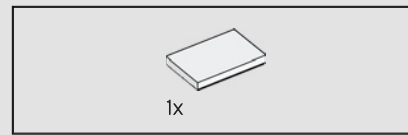
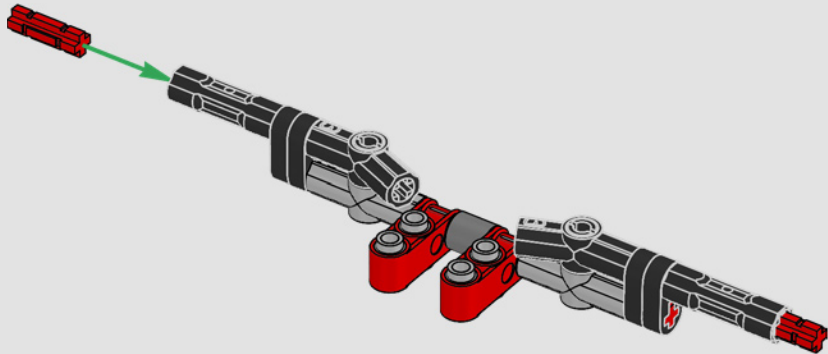




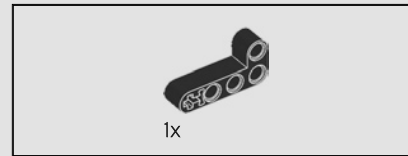
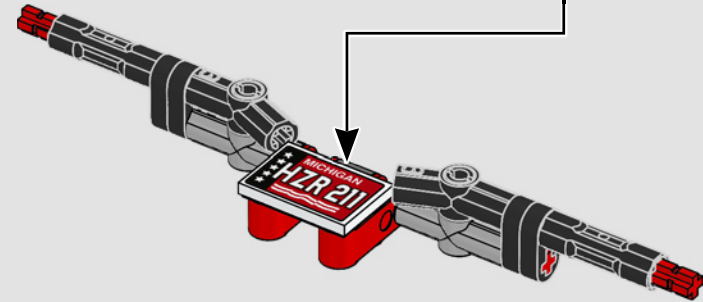
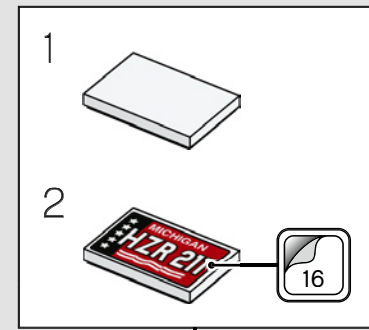
412



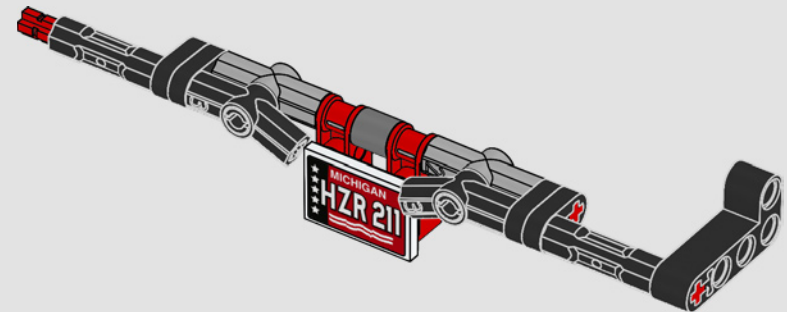
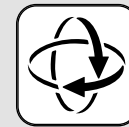
413



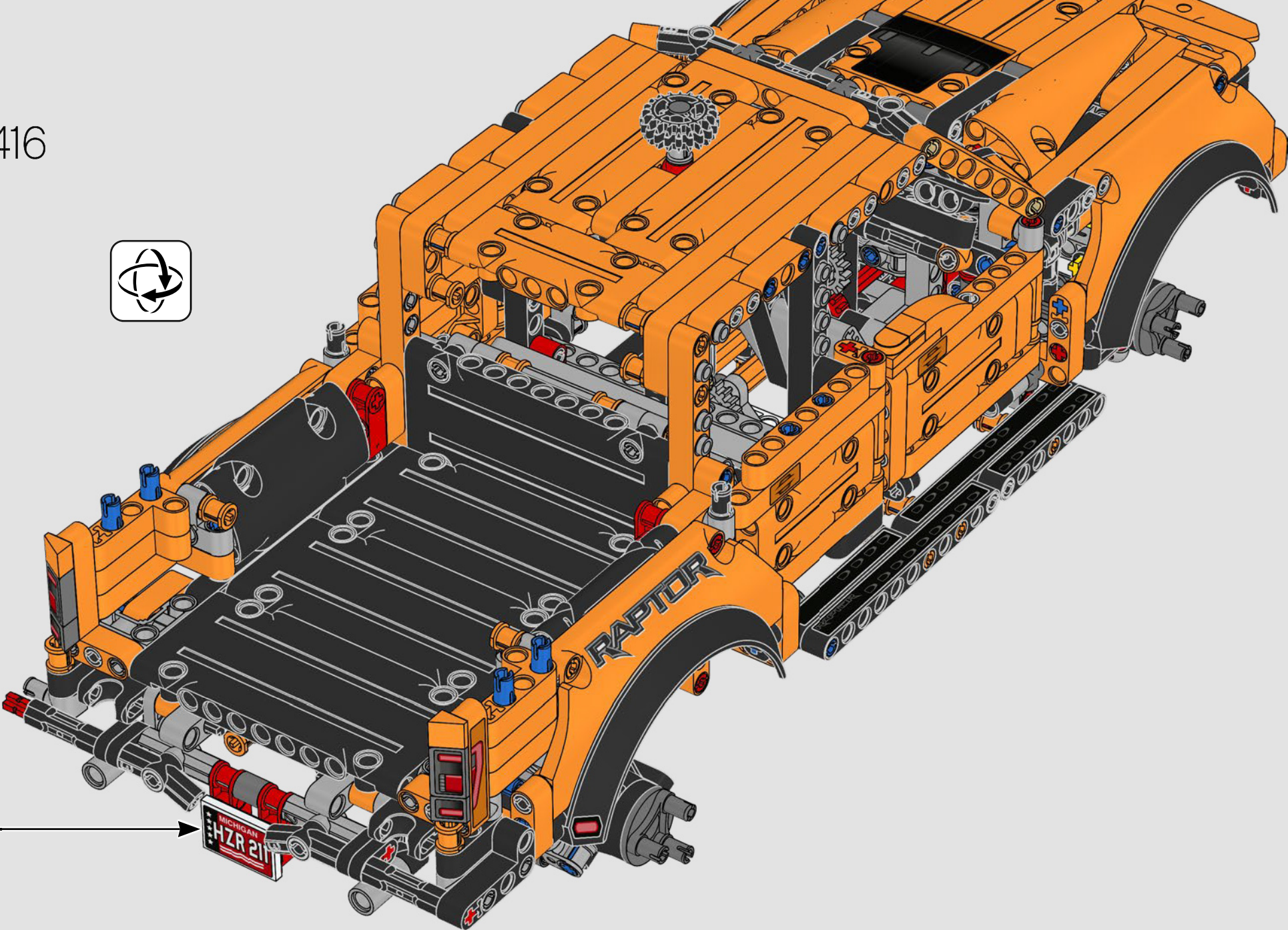
414



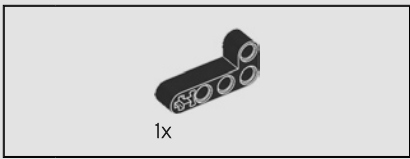
415



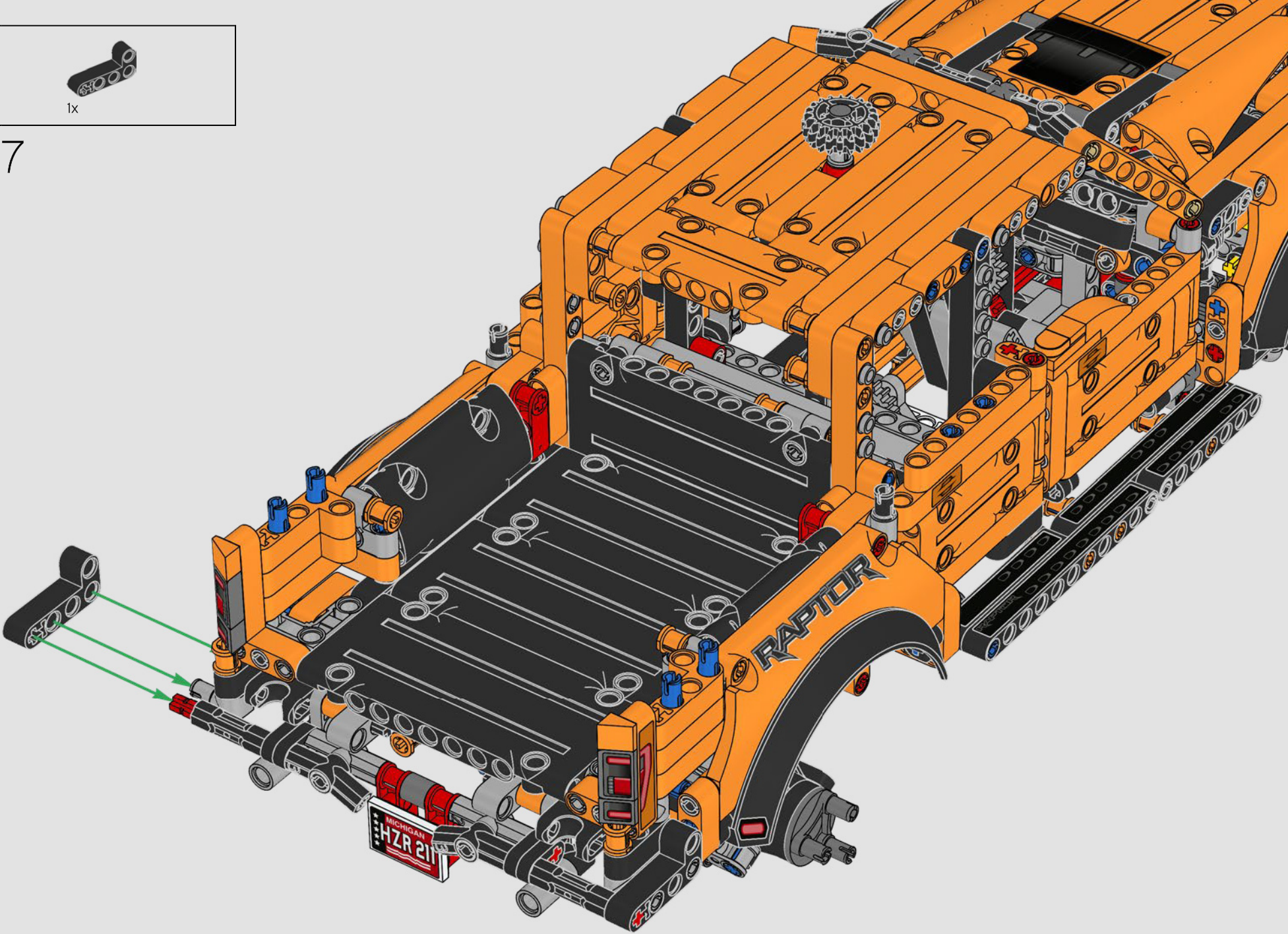
416



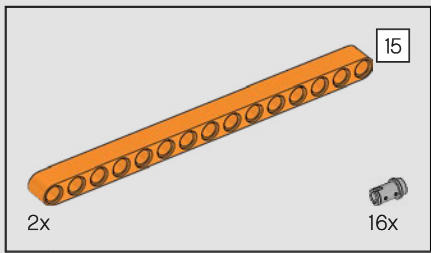




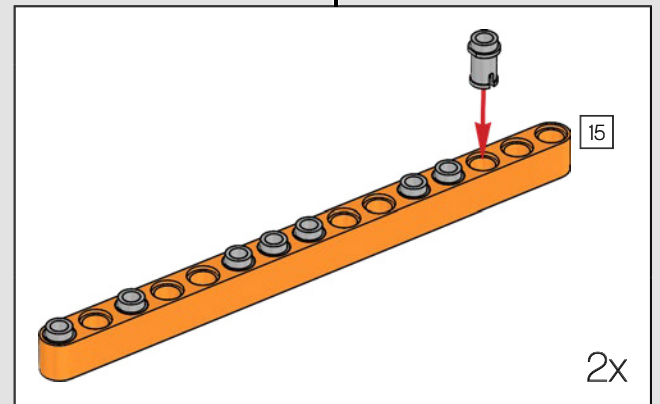
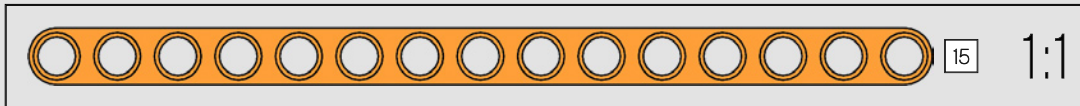
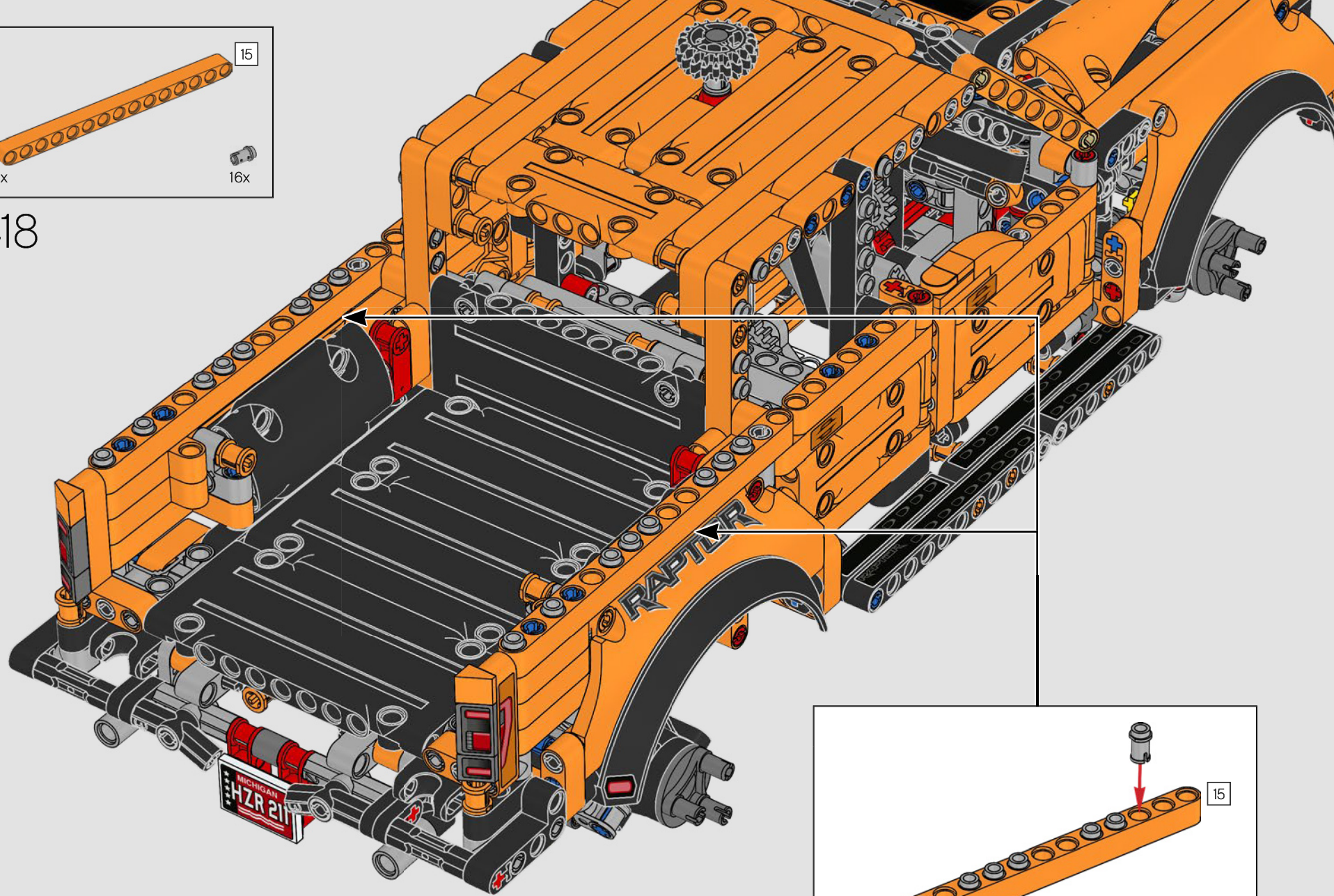
417



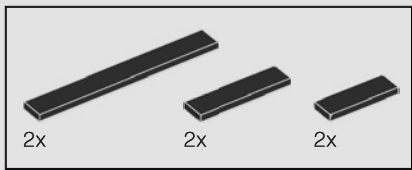




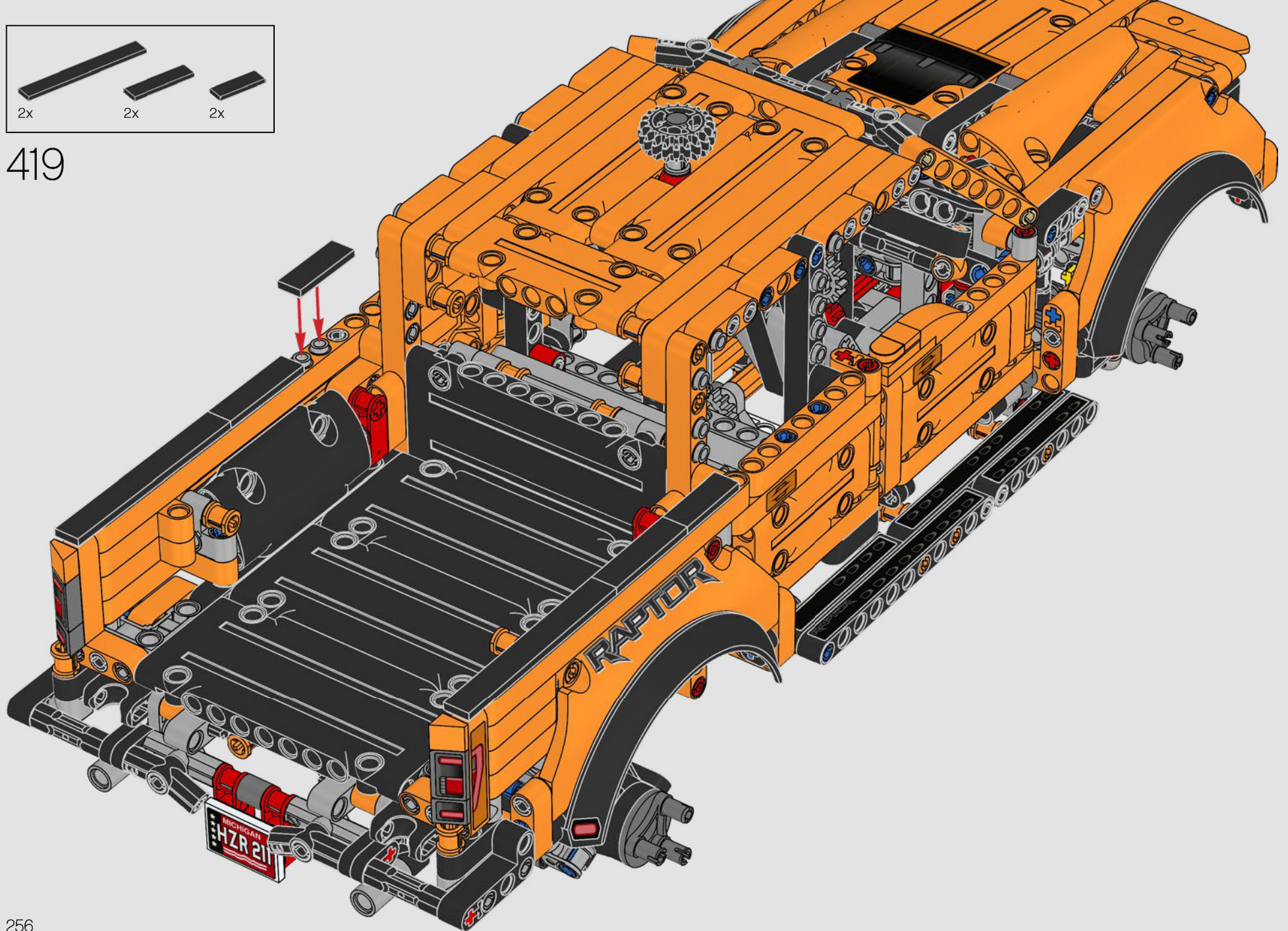
418



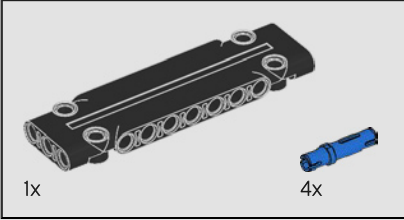
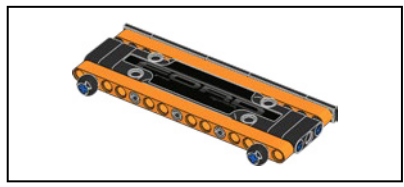




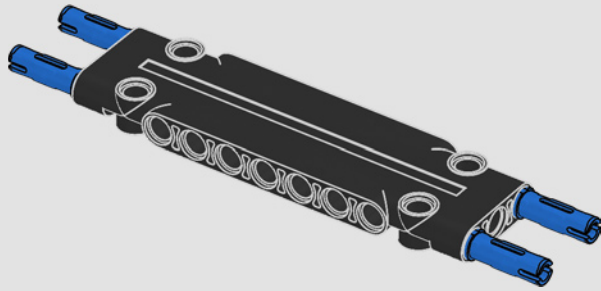
419



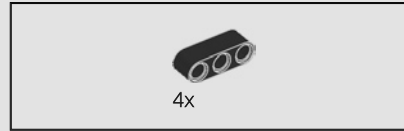
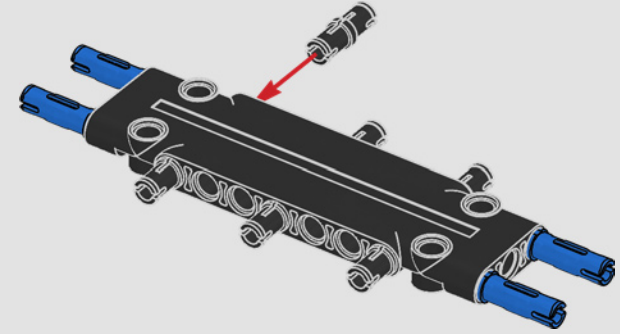




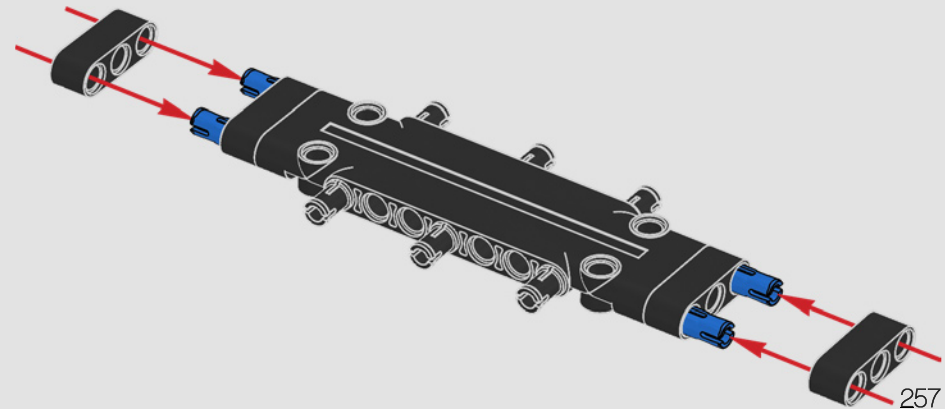
420

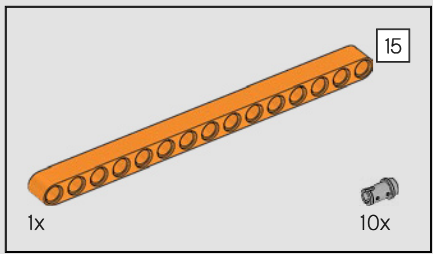


421

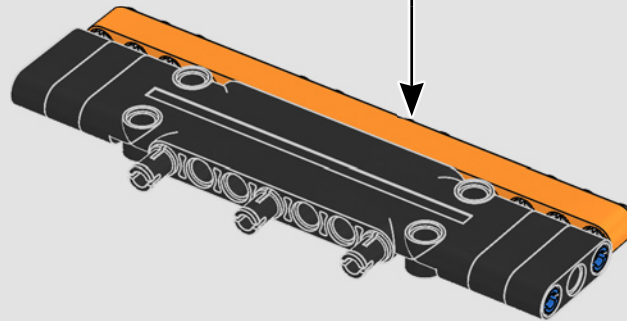
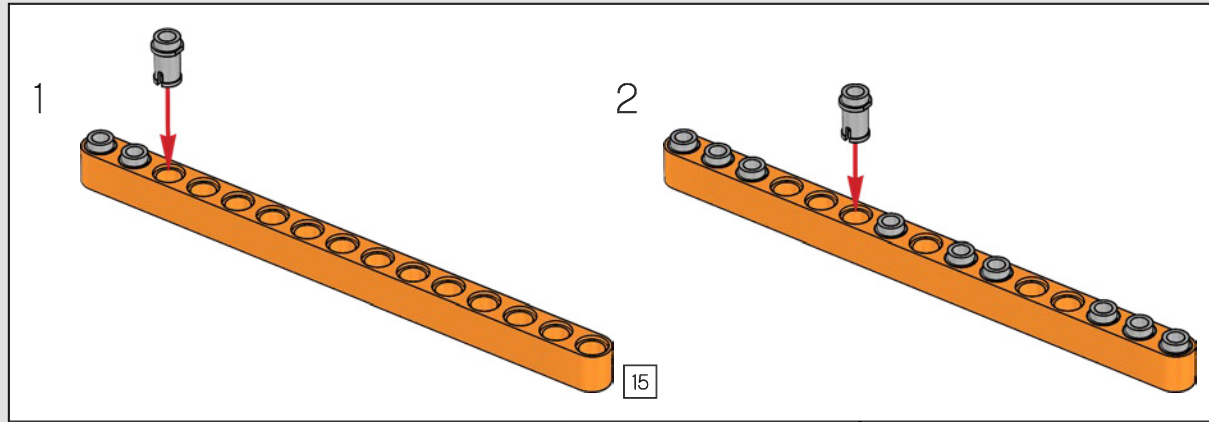
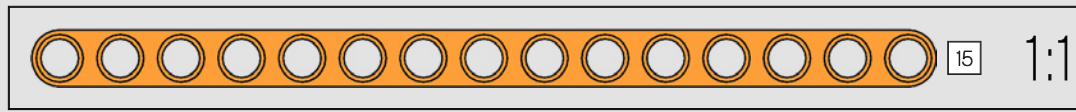


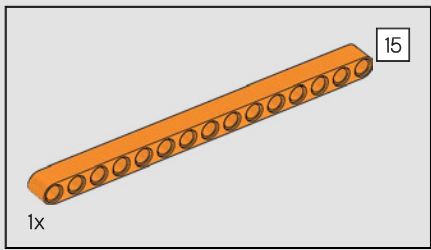
422



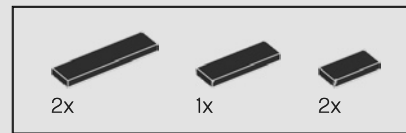
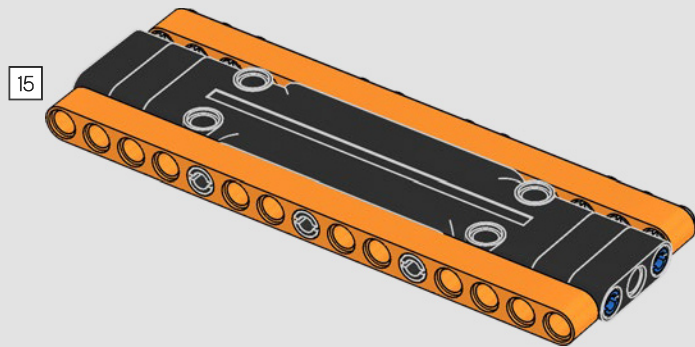


423

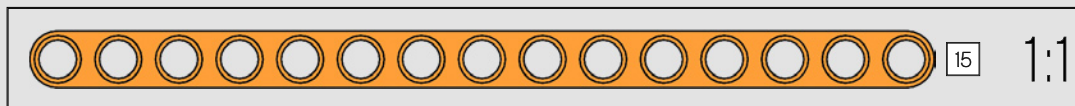
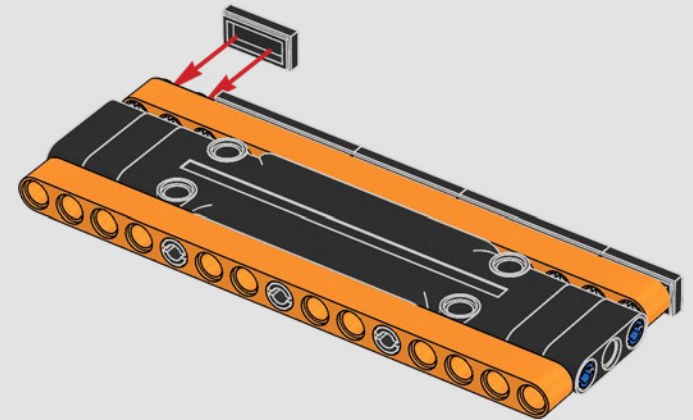




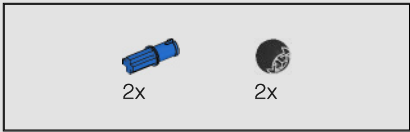
424



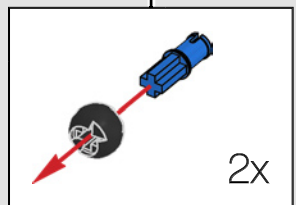
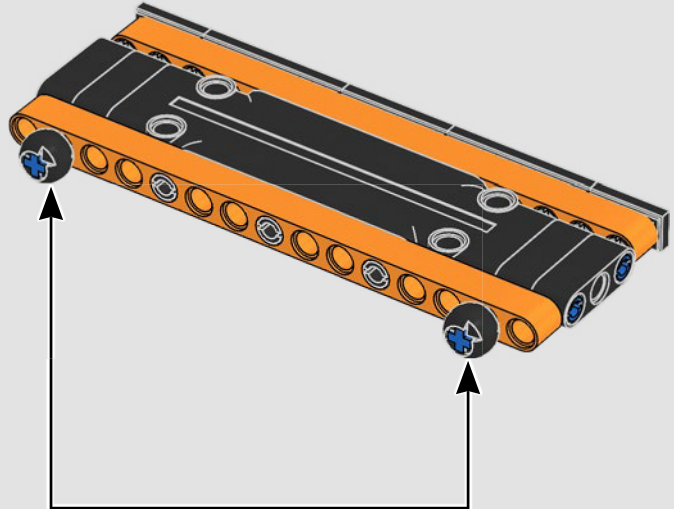
425



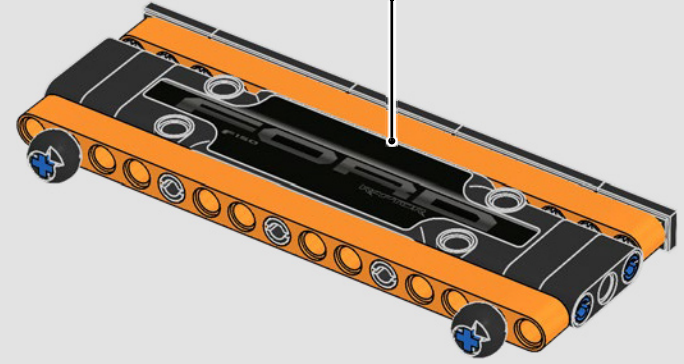




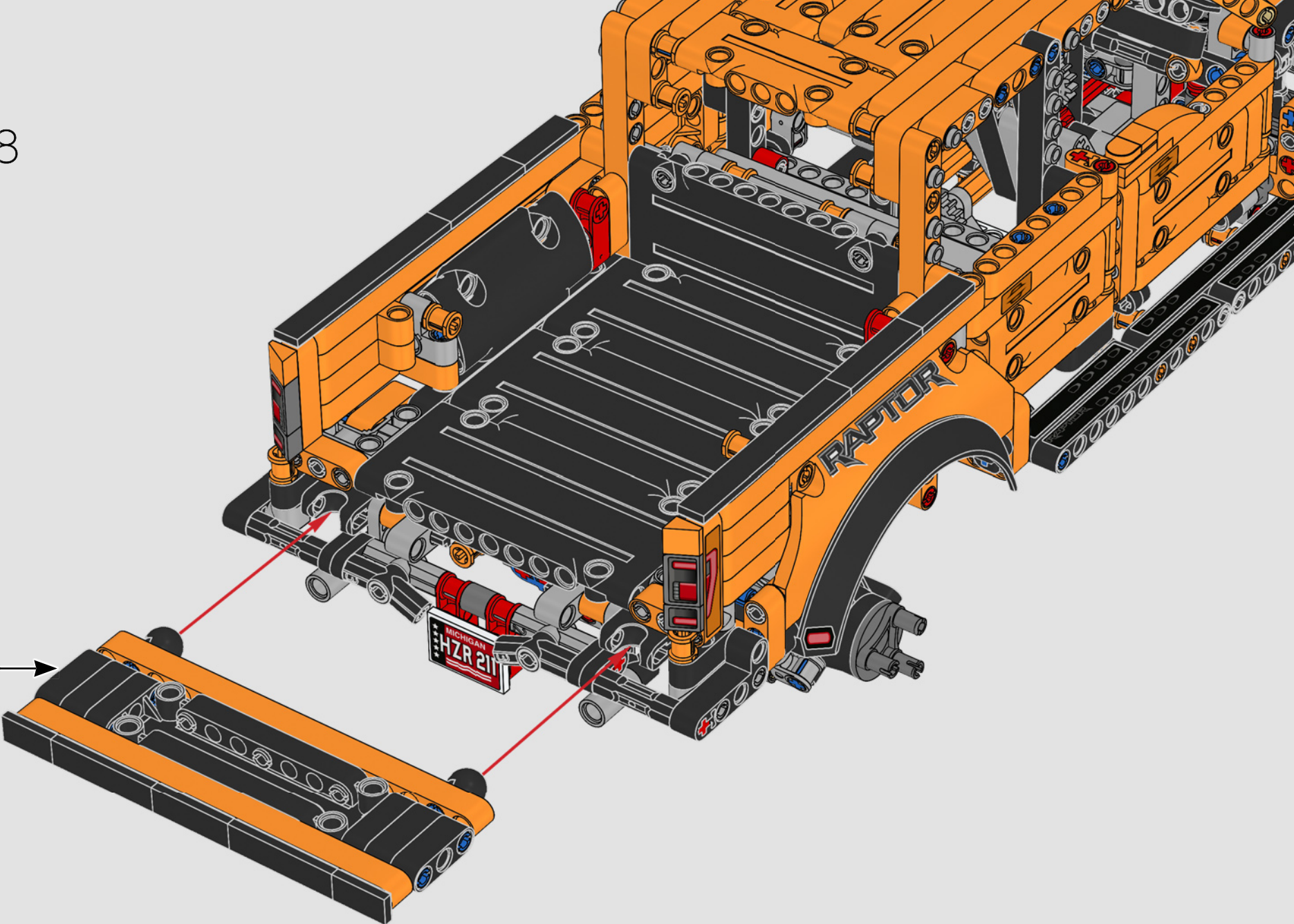
426



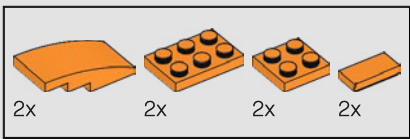
427



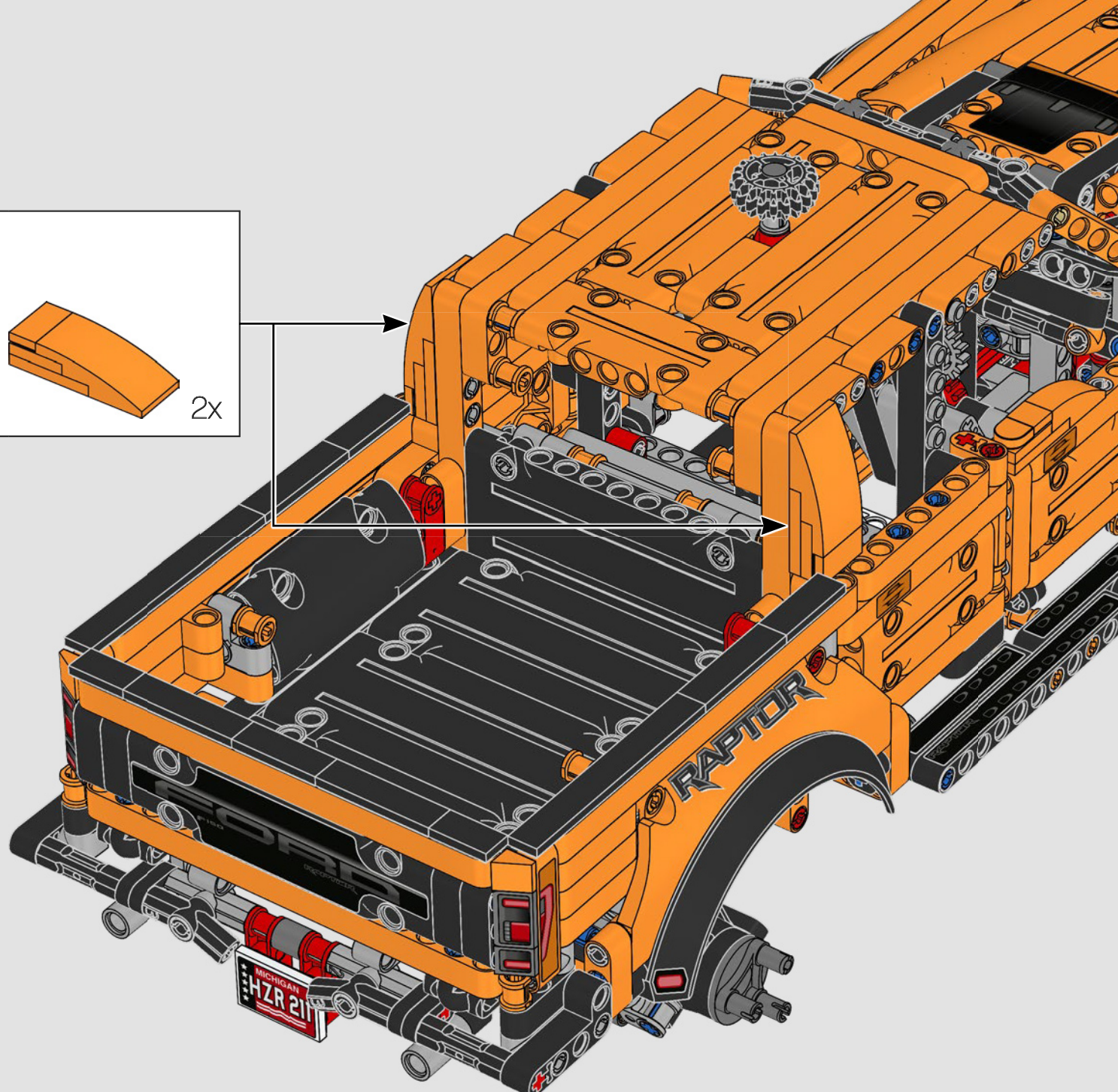
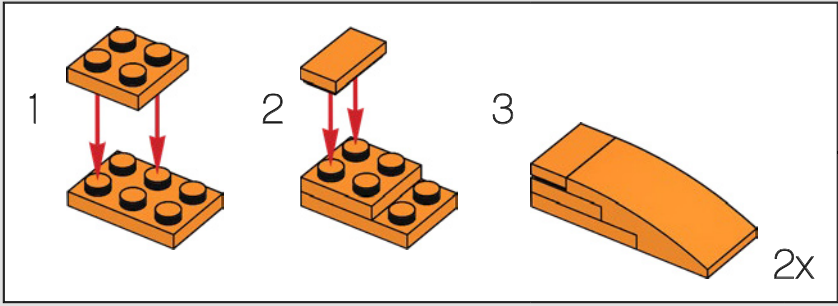
428



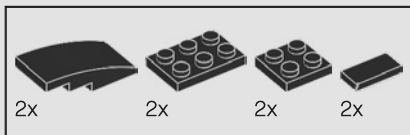




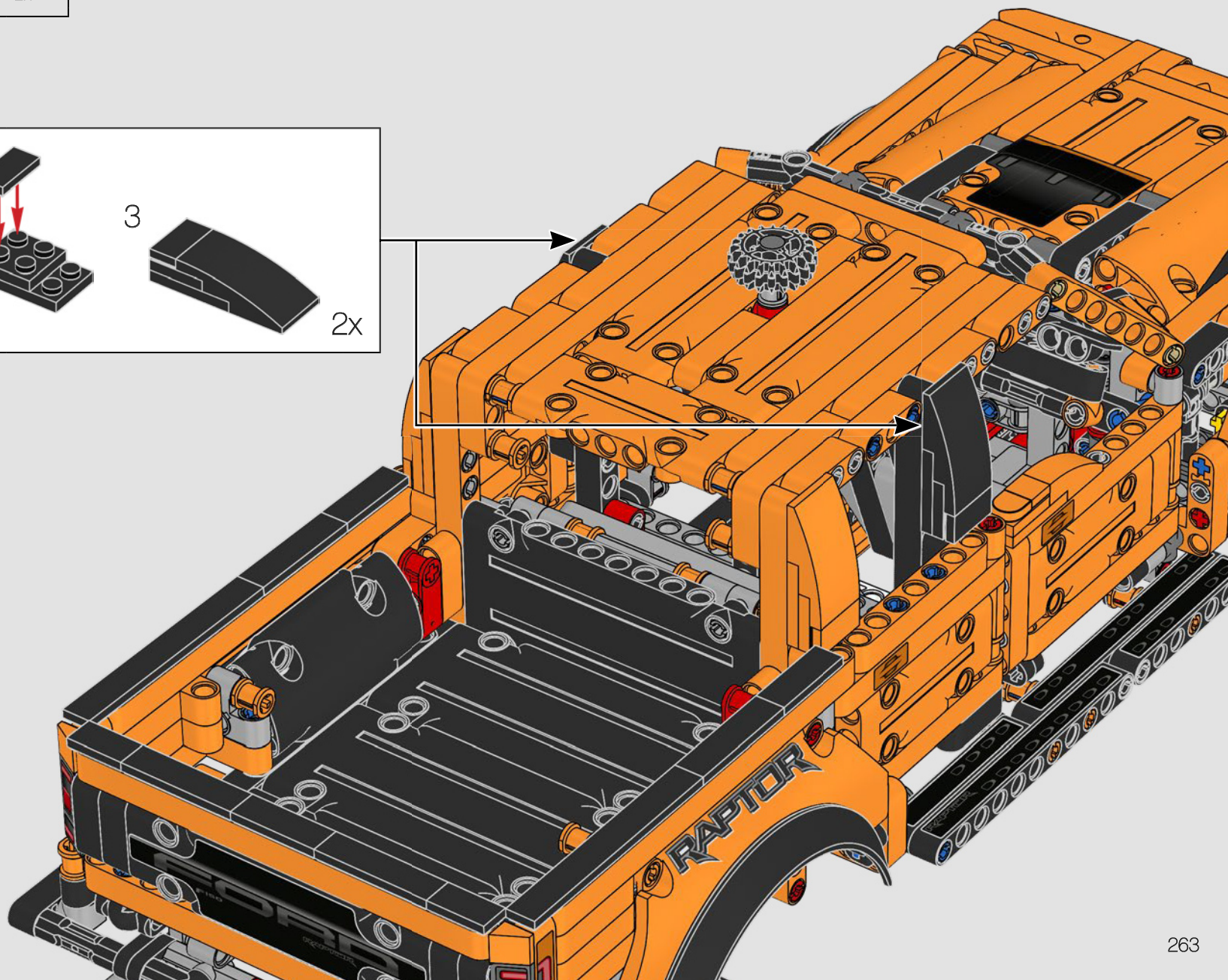
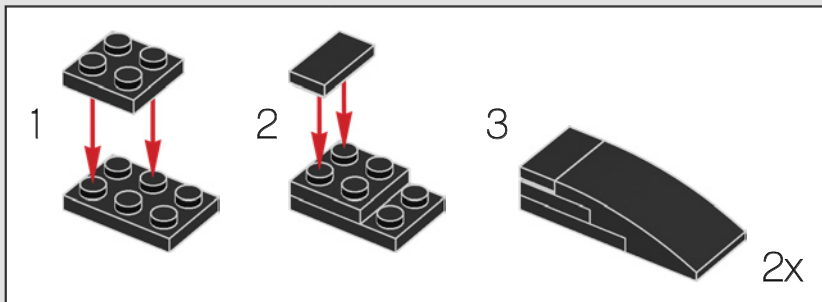
429



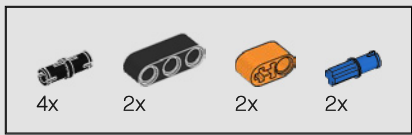




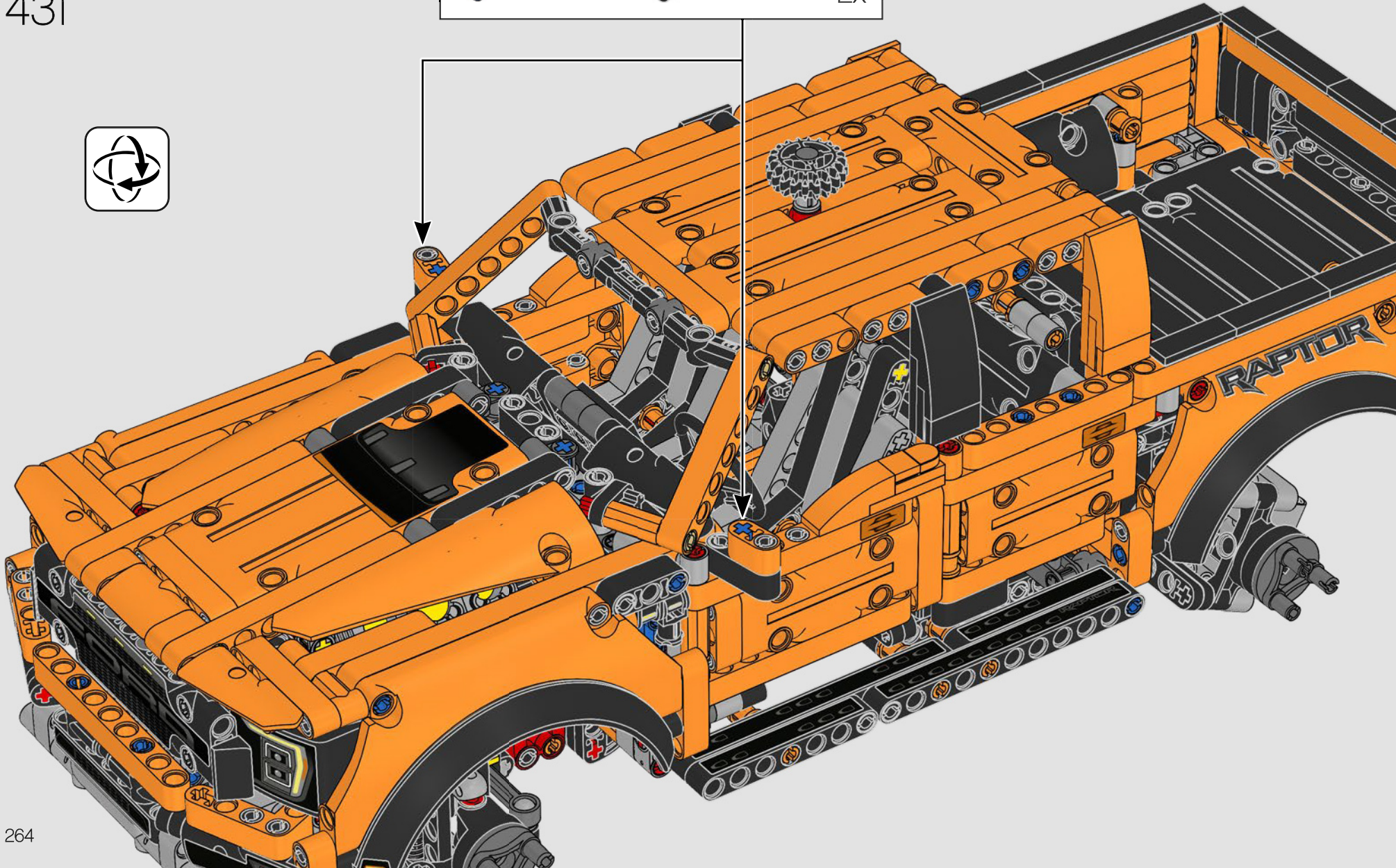
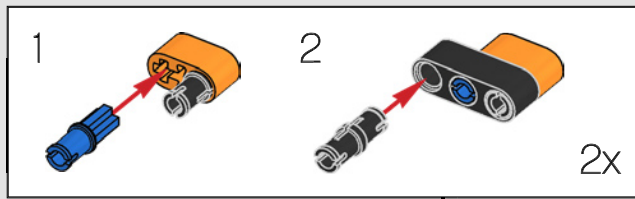
430



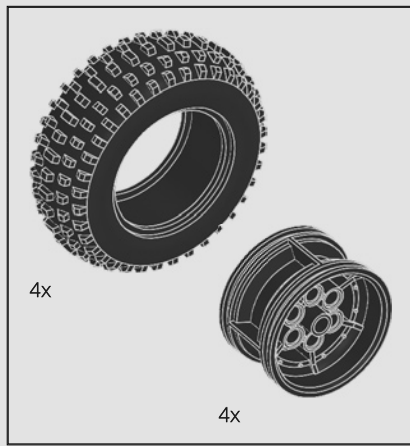




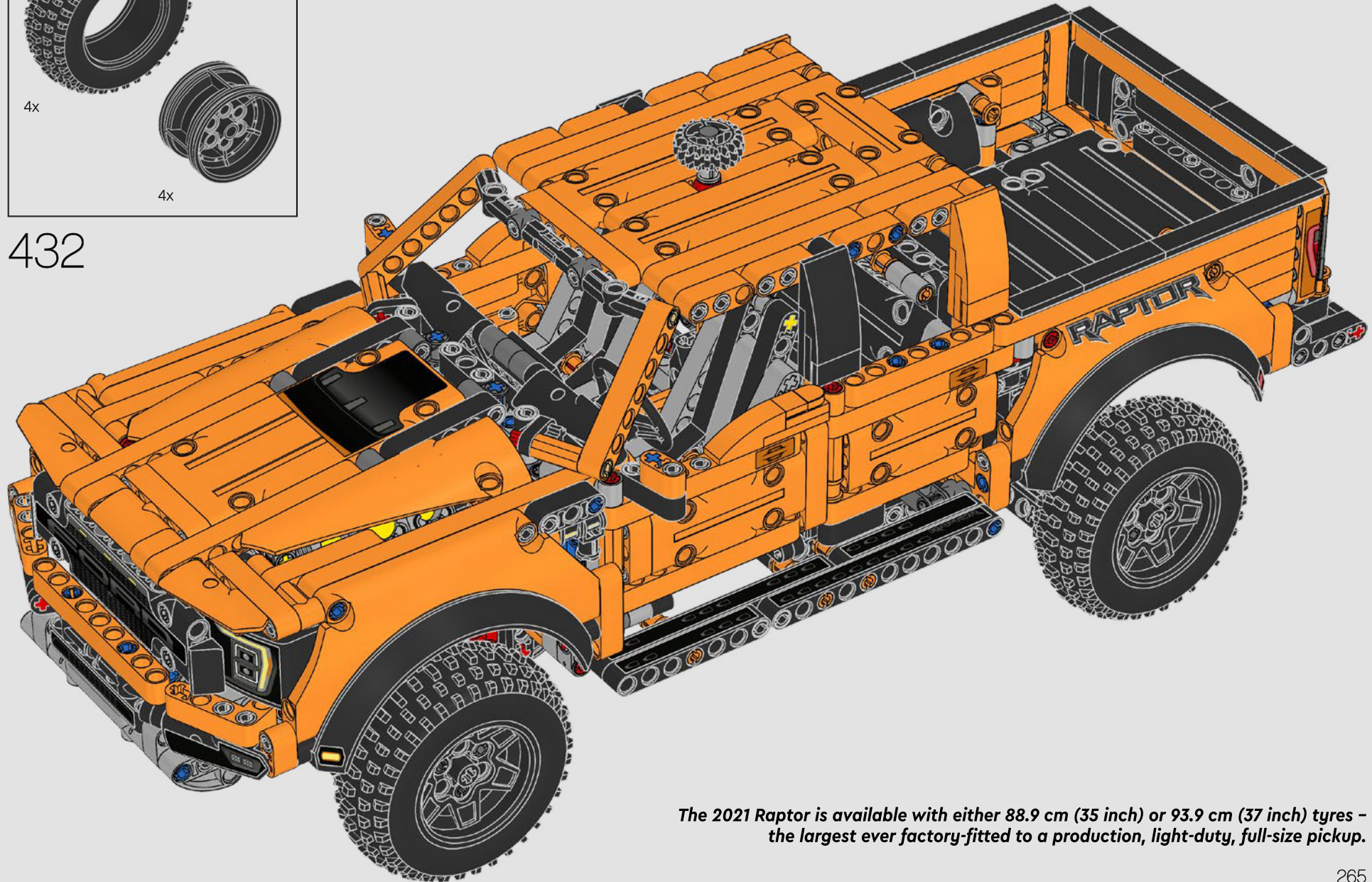
431







432



*The 2021 Raptor is available with either 88.9 cm (35 inch) or 93.9 cm (37 inch) tyres – the largest ever factory-fitted to a production, light-duty, full-size pickup.*

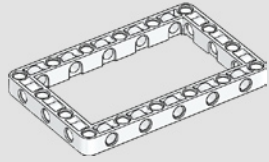




2x  
6292916



1x  
6156667



1x  
6247435



4x  
4565452



2x  
6013938



2x  
6355727



4x  
4666579



8x  
6321305



1x  
4666999



2x  
6135494



2x  
6159763

266



1x  
6323573



10x  
6360104



35x  
4142865



4x  
6167939



1x  
6100930



6x  
4173975



2x  
6331864



18x  
6273712



41x  
6209519



3x  
6130002



1x  
6349634



1x  
6130005



1x  
6130005



1x  
6130005

1x  
6130005



2x  
4286267



2x  
4177431



2x  
6319983



16x  
6338428



2x  
6316923



2x  
4548180



239x  
6279875



4x  
6253260



2x  
6331716



4x  
306926



2x  
6346535



2x  
6346535



2x  
6331723



4x  
6336619



1x  
6336619



2x  
302226



22x  
6089119



6x  
6261386



9x  
4552347



11x  
4142822



4x  
6271869



15x  
6362991



3x  
6265644



9x  
6286381



2x  
4610948



3x  
4558170



4x  
6352693



4x  
6327548



1x  
6162892



1x  
6162892



2x  
302126



4x  
6271825



2x  
6172966



4x  
243126



1x  
6278412



4x  
6327028



1x  
6299938



2x  
4647286



2x  
4142135



1x  
6271358



2x  
6268012



1x  
6327430



4x  
6321710



4x  
6321710



4x  
6321710



6x  
370526



7x  
4495935



4x  
6276858



2x  
6150082



1x  
370726



2x  
416226



8x  
6271152



1x  
6016154



4x  
6321710



7x  
4542573



4x  
6321710



4x  
6321710



4x  
6321710



4x  
6321710



4x  
6321710



3x  
6330585



9x  
6029578



1x  
6214731



3x  
6080356



4x  
6358257



4x  
4566243



1x  
6321716



7x  
4542573



4x  
6321710



4x  
6321710



4x  
6321710



4x  
6321710



4x  
6321710



4x  
6321710



4x  
6321710

4

7

11

11

11

8

11

15

5

5

3

10

15

3x 6275844  
 21x 6282142  
 69x 4211483  
 2x 4211375  
 21x 6261375  
 6x 4211880  
 2x 6173127  
 6x 4640536  
 2x 6361459  
 6x 6000018  
 2x 6360043  
 3x 6346487  
 3x 6282158  
 1x 6335279

6x 4234251  
 6x 6313453  
 24x 6271831  
 4x 6331428  
 4x 6247352  
 11x 4211639  
 16x 4211713  
 16x 4211651  
 2x 6055519  
 1x 6257136  
 4x 6279885

1x 6296843  
 9x 6102449  
 13x 6102449  
 3x 4522934  
 4x 4629802  
 2x 6338588  
 2x 6358258  
 1x 4580014  
 6x 6358259

1x 6358253  
 1x 6358255  
 2x 4125278  
 1x 6358254  
 4x 6305545  
 12x 6271832  
 2x 6054529  
 11x 6135086  
 2x 6339023

2x 6344851  
 6x 6332584  
 6x 6259825  
 14x 6265128  
 20x 6143028  
 2x 4251969  
 2x 6147047  
 3x 6143014  
 14x 6143015  
 7x 6339024  
 5x 6358256

2x 6332570  
 53x 4206482  
 2x 6331024  
 6x 6279026  
 128x 6299413  
 2x 4558595  
 2x 4504371  
 1x 6352662  
 1x 6340604  
 2x 4177932  
 2x 4188771  
 2x 4159007  
 43x 6347790  
 17x 6102618

2x 6271167  
 6x 4112203  
 2x 4119474  
 21x 6130007  
 1x 6130009  
 22x 6100030  
 2x 4504378  
 2x 4567887  
 2x 6280395  
 10x 6167281  
 1x 6296844

10x 6276984  
 4x 4610378  
 9x 6083620  
 1x 4525184  
 3x 4508553  
 4x 4629920  
 2x 6027566  
 2x 6027565

Customer Service  
 Kundenservice  
 Service Consommateurs  
 Servicio Al Consumidor  
 LEGO.com/service or dial  
 : 00800 5346 5555  
 : 1-800-422-5346



# FEEDBACK AND WIN



## FEEDBACK AND WIN

Your feedback will help shape the future development of this product series.

Please visit:

## FEEDBACK UND GEWINNEN

Dein Feedback trägt zur Weiterentwicklung dieser Produktreihe bei.

Geh auf:

## COMMENTEZ ET GAGNEZ

Vos commentaires nous aideront à concevoir les futurs produits de cette gamme.

Rendez-vous sur :

## COMENTA Y GANA

Tu opinión nos ayudará a dar forma al desarrollo de esta serie de productos en el futuro.

Visita:

## 反馈有奖

您的反馈将有助于我们在今后改进本系列产品。

请访问：

[LEGO.com/productfeedback](https://www.lego.com/productfeedback)

By completing, you will automatically enter a drawing to win a LEGO® set.

Terms & Conditions apply.

Durch Ausfüllen nimmst du automatisch an der Verlosung eines LEGO® Preises teil.

Es gelten die Teilnahmebedingungen.

En envoyant vos commentaires, vous serez automatiquement inscrit(e) à un tirage au sort qui vous permettra de remporter un prix LEGO®.

Offre soumise à conditions.

Al contestar, participarás automáticamente en el sorteo y podrás ganar un set LEGO®.

Sujeto a Términos y Condiciones.

完成我们的反馈调查，即可自动进入抽奖环节，赢取乐高®套装。

适用《条款和条件》。

LEGO and the LEGO logo are trademarks of the LEGO Group. ©2021 The LEGO Group.

Ford Trademarks and Trade Dress used under license to The LEGO Group of companies.

